



Installation Instructions

Distinctive® Wall Oven

Models: DTO127, DTO130, DTO227, DTOV230,
DTOV227, DTOV130, DTOV227, DTOV230

All specifications are subject to change without notice. Dacor® assumes no liability for changes to specifications.

Table of Contents

Before You Begin...	1	Installation Specifications	6
Important Safety Instructions	1	Installation Planning	6
Important Information About Safety Instructions	1	Installation Instructions	8
Safety Symbols and Labels	1	Verify the Package Contents.....	8
General Safety Precautions	2	Remove the oven door(s)	8
Customer Service Information	3	Electrical Connection	9
If You Need Help.....	3	Installing the Oven in the Cabinet.....	12
Appliance Data Plate	3	Reinstalling the Oven Door	13
Model Identification	3	Verifying Proper Operation.....	13
Product Specifications	4	Installation Checklist	14
Electrical Specifications	4	Notes	15
Product Dimensions	4		

Before You Begin...

Important:

- **Installer:** In the interest of safety and to minimize problems, read these installation instructions completely and carefully before you begin the installation process. Leave these installation instructions with the customer.
- **Customer:** Keep these installation instructions for future reference and the local electrical inspector's use.

Important Safety Instructions

Important Information About Safety Instructions

- The **Important Safety Instructions** and warnings in these instructions are not meant to cover all possible problems and conditions that can occur. Use common sense and caution when installing, maintaining or operating this or any other appliance.
- Always contact the Dacor Customer Service Team about problems and conditions that you don't understand. See **Customer Service Information**.

Safety Symbols and Labels

DANGER

Immediate hazards that **WILL** result in severe personal injury or death.

WARNING

Hazards or unsafe practices that **COULD** result in severe personal injury or death.

CAUTION

Hazards or unsafe practices that **COULD** result in minor personal injury or property damage.

DANGER

IMPORTANT: Do not store or use combustible, flammable, or explosive vapors and liquids (such as gasoline) inside or in the vicinity of this or any other appliance. Also keep items that could explode, such as aerosol cans, away from the oven. Do not store flammable or explosive materials in adjacent cabinets or areas.

WARNING

WARNING – NEVER use this appliance as a space heater to heat or warm the room. Doing so may result in overheating of the appliance.

WARNING

WARNING – NEVER cover any slots, holes or passages in the oven bottom or cover an entire rack with materials such as aluminum foil. Doing so blocks air flow through the oven and may cause a fire hazard.

WARNING

Do not install this appliance outdoors and/or near water, for example, near a pool.

WARNING

When using the **BROIL** and **CONVECTION BROIL** settings, the oven door must be completely shut.

**READ AND SAVE
THESE INSTRUCTIONS**

Important Safety Instructions

General Safety Precautions

To reduce the risk of fire, electric shock, serious injury or death when using your appliance, follow basic safety precautions, including the following:

WARNING

- Read the accompanying use and care manual completely before operating this appliance.
- Keep packaging materials away from children. Plastic sheets and bags can cause suffocation.
- If you receive a damaged product, immediately contact your dealer or builder. Do not install or use a damaged appliance. Do not install or use the appliance if the conduit is damaged.
- This oven must be properly installed and grounded by a qualified installer according to these installation instructions prior to use. The installer must show the customer the location of the circuit breaker panel or fuse box so that they know where and how to turn off power to the oven. Dacor is not responsible for service required to correct a faulty installation. The owner is responsible to make sure this appliance is properly installed.
- Do not use the door handle(s) to lift or move the oven.
- A minimum of two people are required to safely install this appliance.
- To avoid an electric shock hazard, do not install this appliance outside or near water. Do not install or use this appliance if it has been exposed to water.
- Do not install, repair or replace any part of the oven unless specifically recommended in the literature accompanying it. A qualified service technician must perform all other service.
- Before performing any type of service or installation, make sure that power to the oven is turned off at the circuit breaker or fuse box.
- Only use the oven for cooking tasks expected of a home appliance as outlined in the literature accompanying it. This oven is not intended for commercial use.
- Do not climb on any part of the appliance.
- Do not leave children alone or unattended in the area around the oven. Do not allow children to play with the controls, pull on the handle or touch other parts of the oven.
- Do not store items of interest to children above the oven. Children could be burned or injured while climbing on the appliance.
- Do not tamper with the controls. Do not adjust or alter any part of the oven unless specifically instructed to do so in this manual.

WARNING

- To prevent injury due to the unit tipping forward, secure the oven to the cabinet using the supplied mounting screws.
- Keep flammable items, such as paper, cardboard, plastic and cloth away from hot surfaces. Do not put such items in the oven. Do not allow pot holders to touch hot surfaces.
- Do not wear loose or hanging apparel while using the oven. Do not allow clothing to come into contact with the interior of the oven and the surrounding areas during and immediately after use.
- Do not use the oven for storage.
- Do not touch the interior surfaces of the oven during use. After use, make sure these surfaces have had sufficient time to cool before touching them.
- Do not touch the outside surfaces of the oven during the self-clean cycle. They will be hot. Venting from the oven may cause the trim to become hot.
- For your safety, do not use the oven to cook without the convection filter installed. When the filter is not installed, the spinning fan blades at the back of the oven are exposed.
- Non-stick coatings, when heated, can be harmful to birds. Remove birds to a separate, well-ventilated room during cooking.
- To prevent damage, remove the meat probe from the oven when it is not being used.
- Do not line the oven with aluminum foil or other materials. These items can melt or burn up during self-cleaning and cause permanent damage to the oven.
- Do not leave objects, such as aluminum foil, the meat probe, cookie sheets, etc. on the bottom of the oven. Objects left on the bottom of the oven could damage the oven. In addition, the objects themselves could be damaged.
- Do not allow heating elements in the top of the oven chamber to become covered up by cookie sheets, aluminum foil, pots, pans, etc. Covering the heating elements could cause them to over-heat, damaging the oven.
- Always ensure that the light fixture lens covers are in place when using the oven. The lens covers protect the light bulbs from breakage caused by high oven temperatures or mechanical shock.

Customer Service Information

If You Need Help...

If you have questions or problems with installation, contact your Dacor dealer or the Dacor Customer Service Team. For repairs to Dacor appliances under warranty call the Dacor Distinctive Service line. Whenever you call, have the model and serial number of the appliance ready. The model and serial number are printed on the appliance data plate.

Dacor Customer Service

Phone: (800) 793-0093 ex. 2813 (U.S.A. and Canada)
Monday — Friday 6:00 A.M. to 5:00 P.M. Pacific Time

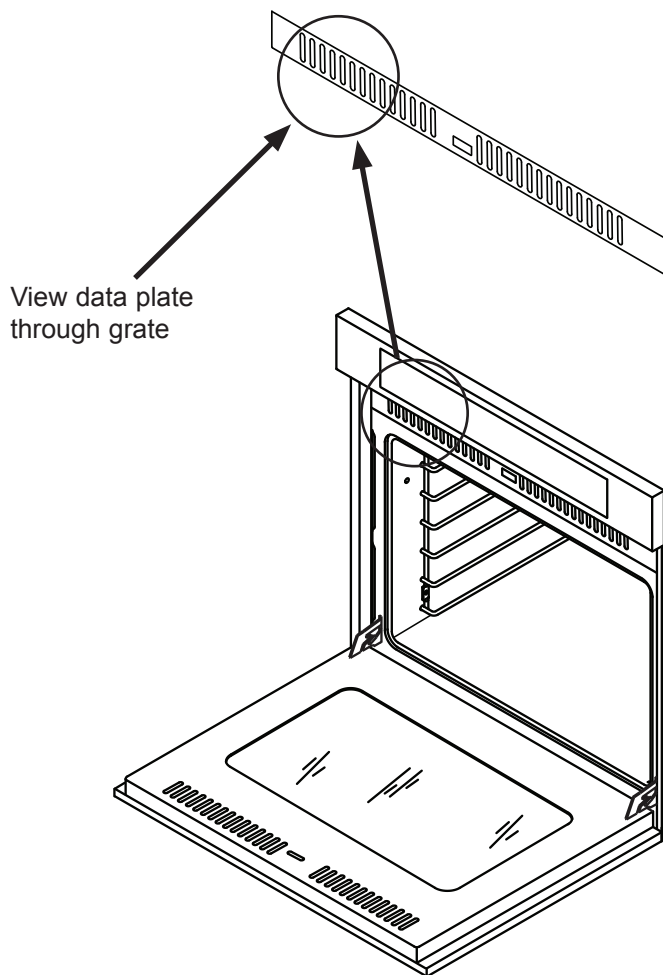
Web site: www.dacor.com

Dacor Distinctive Service (repairs under warranty only)

Phone: (800) 793-0093 ex. 2822 (U.S.A. and Canada)
Monday — Friday 6:00 A.M. to 5:00 P.M. Pacific Time

Product Data Label

- The product data label contains the model and serial number information and the electrical requirements.
- It can be seen through the grill located below the control panel. Open the door to expose the grill. On double ovens, the label is located behind the top grill.



Model Identification

DTOV230FS



A MODEL SERIES

B VERTICAL TRIM

V = Equipped with vertical trim
No character = No vertical trim

C NUMBER OF OVENS:

1 = Single
2 = Double

D WIDTH IN INCHES

E DOOR STYLE

F = Flush handle
No character = External handle

F COLOR

B = Black
S = Stainless
W = White

Product Specifications

Electrical Specifications

- It is the owner's responsibility to ensure that a licensed electrician performs the installation of the electrical supply for this appliance. The electrical installation, including minimum supply wire size, must comply with the National Electric Code ANSI/NFPA 70 (latest revision) and local codes and ordinances.

A copy of this standard may be obtained from:

National Fire Protection Association
1 Batterymarch Park
Quincy, Massachusetts 02269-9101

- The correct voltage, frequency and amperage must be supplied to the appliance from a dedicated, grounded, single phase circuit that is protected by a properly sized circuit breaker or time-delay fuse. If a time-delay fuse is utilized, fuse both sides of the line (L1 and L2).
- Preheat times and cavity temperature recovery times will be increased slightly if operating the unit with less than a 240 Vac circuit.
- This appliance is provided with electrical wiring in a flexible metal conduit.

Model Number	Total Connected Load*	Dedicated Circuit Requirements
DTO(V)127	240 Vac 60 Hz, 23.3 Amp., 5.6 kW	240 Vac 60 Hz, 4 wire**, 30 Amp.
DTO(V)130	240 Vac 60 Hz, 24.9 Amp., 6.0 kW	240 Vac 60 Hz, 4 wire**, 30 Amp.
DTO(V)227	240 Vac 60 Hz, 26.6 Amp., 6.4 kW	240 Vac 60 Hz, 4 wire**, 40 Amp.
DTO(V)230	240 Vac 60 Hz, 26.6 Amp., 6.4 kW	240 Vac 60 Hz, 4 wire**, 40 Amp.

* This specification is for reference only. See the product data label (page 3) for exact specifications.

** Two 120 Vac hot (L1 and L2), one neutral, one ground.

Product Dimensions

All tolerances: $\pm 1/16$ (± 1.6 mm), unless otherwise stated.

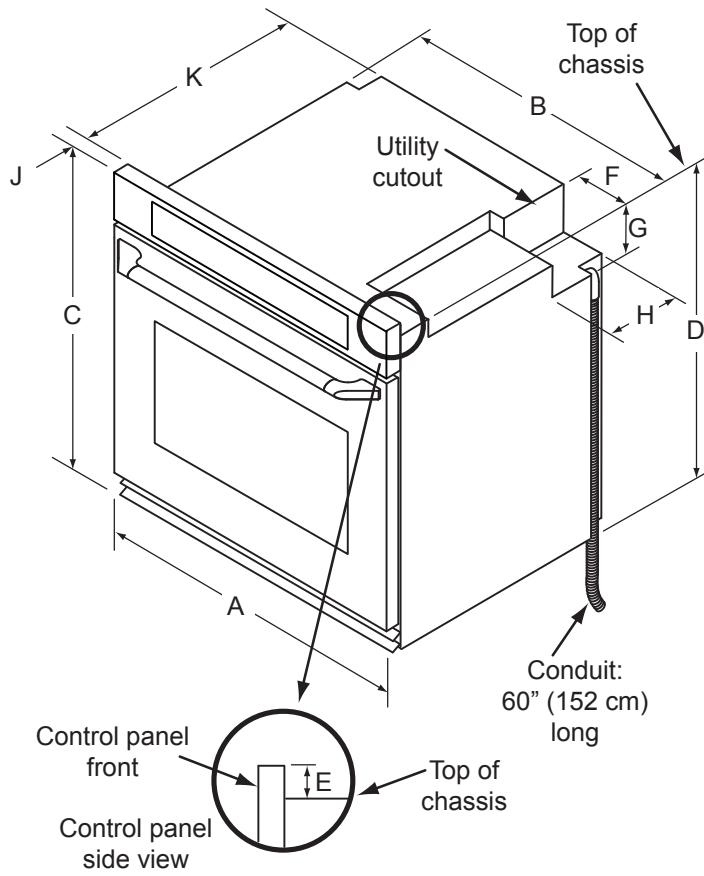
Model	(A)	(B)	(C)	(D)	(E)
DTO(V)127	26 7/8" (68.3 cm)	25 3/8" (64.5 cm)	27 3/4" (70.5 cm)	26 5/8" (67.6 cm)	1 1/8" (2.9 cm)
DTO(V)130	29 7/8" (75.9 cm)	28 3/8" (72.1 cm)	27 3/4" (70.5 cm)	26 5/8" (67.6 cm)	1 1/8" (2.9 cm)
DTO(V)227	26 7/8" (68.3 cm)	25 3/8" (64.5 cm)	50 1/8" (127.3 cm)	49" (124.5 cm)	1 1/8" (2.9 cm)
DTO(V)230	29 7/8" (75.9 cm)	28 3/8" (72.1 cm)	50 1/8" (127.3 cm)	49" (124.5 cm)	1 1/8" (2.9 cm)

	(F)	(G)	(H)	(J)	(K)
All models	6 1/2" (16.5 cm)	5" (12.7 cm)	7 7/8" (20.0 cm)	1 1/4" (3.2 cm)	23 1/2" (59.7 cm)

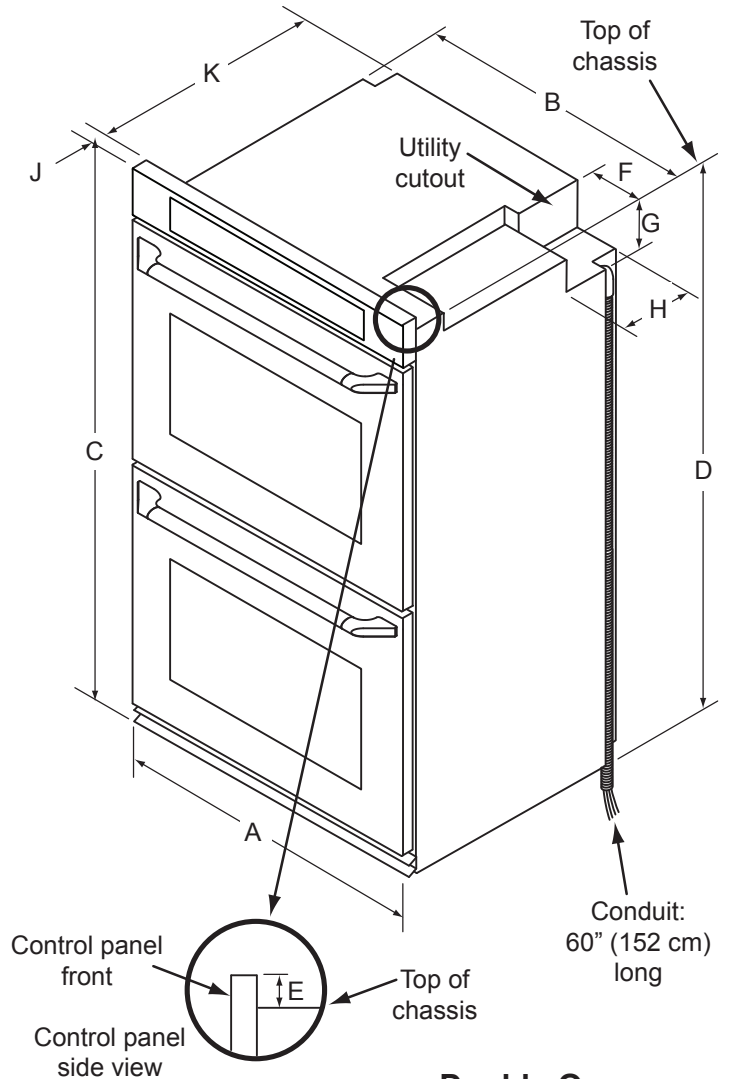
Design Specifications

Product Dimensions

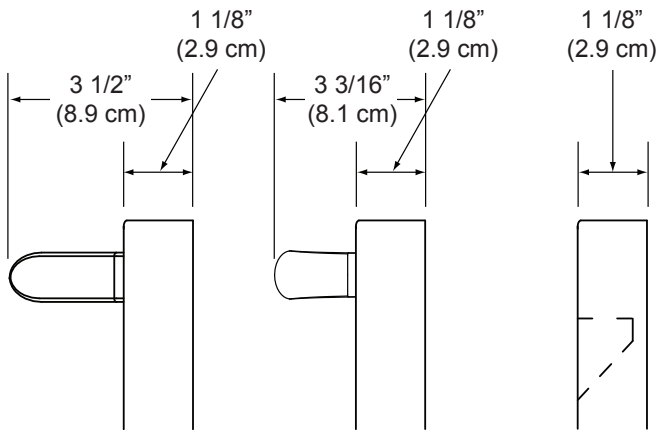
All tolerances: $\pm 1/16$ (± 1.6 mm), unless otherwise stated.



Single Oven



Double Oven

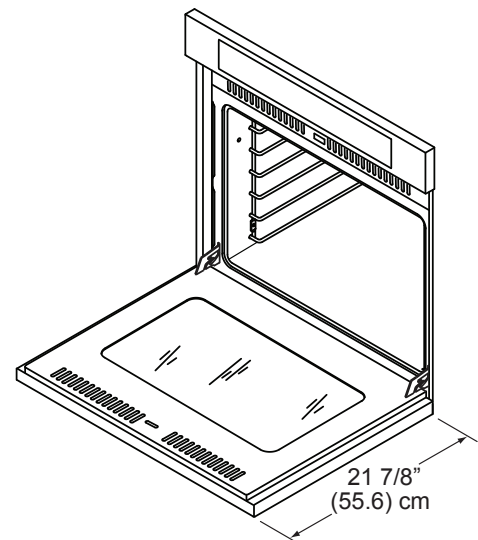


Epicure

Millennia
(Order kit #AROVH30S)

Flush

Handle Dimensions



Installation Specifications

Installation Planning



WARNING

Observe all governing codes and ordinances during planning and installation. Contact your local building department for further information.



IMPORTANT

- Locate the junction box so that the oven may be easily disconnected in the event that it needs to be removed from the wall completely for service.
- If the oven is not installed level it may deliver poor or inconsistent baking results.
- Carefully check the location where the oven is to be installed. The oven should be placed for convenient access. Make certain that electrical power, meeting the specifications on page 4, can be provided in the selected location.
- Dacor recommends installing the junction box in the one of the locations shown on the facing page.
- Install the junction box in a location that allows the oven to be removed from the cutout for service without being disconnected.
- Plan the installation so that all minimum clearances are met or exceeded. Dimensions shown provide minimum clearances, unless otherwise noted. Be certain that proper clearance is provided for the oven door when it is in the open position according the **Product Dimensions**.
- Cabinet cutout dimensions must be used as indicated. The specified minimum cabinet depth and width must be provided. The cabinet depth and width must completely enclose the recessed portion of the oven.
- All contact surfaces between the appliance and the cabinet must be solid and level.
- Provide a platform within the cabinet to support the oven. It must be installed level and straight. The top edge of the platform must be flush with the cutout at the front of the cabinet. There are no provisions to level the oven after it has been installed. 3/4" (1.9 cm) thick plywood is recommended.

Cabinet Dimensions

Cabinet tolerances: +1/16 (1.6 mm), -0, unless otherwise stated.

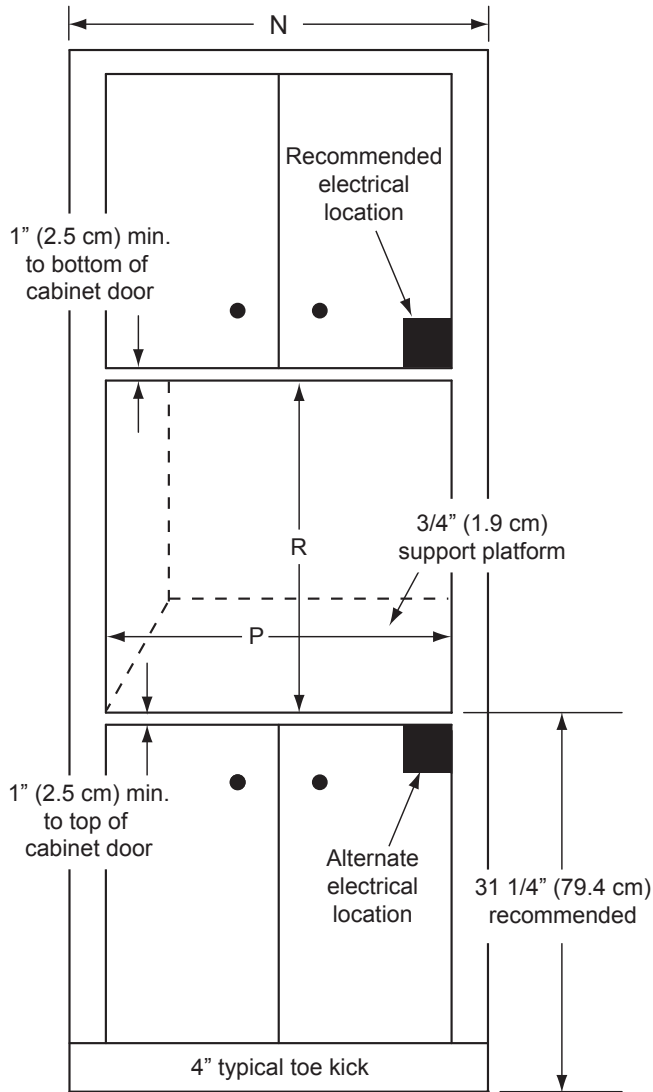
Model Number	(N) Minimum Cabinet Width	(P) Cutout Width	(R) Cutout Height
DTO(V)127	27" (68.6 cm)	25 1/2" (64.8 cm) minimum (recommended) 26 1/8" (66.4 cm) maximum	26 3/4" (67.9 cm) minimum (recommended) 27 1/2" (69.9 cm) maximum
DTO(V)130	30" (76.2 cm)	28 1/2" (72.4 cm) minimum (recommended) 29 1/8" (74.0 cm) maximum	26 3/4" (67.9 cm) minimum (recommended) 27 1/2" (69.9 cm) maximum
DTO(V)227	27" (68.6 cm)	25 1/2" (64.8 cm) minimum (recommended) 26 1/8" (66.4 cm) maximum	49 1/8" (124.8 cm) minimum (recommended) 50" (127.0 cm) maximum
DTO(V)230	30" (76.2 cm)	28 1/2" (72.4 cm) minimum (recommended) 29 1/8" (74.0 cm) maximum	49 1/8" (124.8 cm) minimum (recommended) 50" (127.0 cm) maximum

Minimum interior cabinet depth: 24" (61.0 cm)

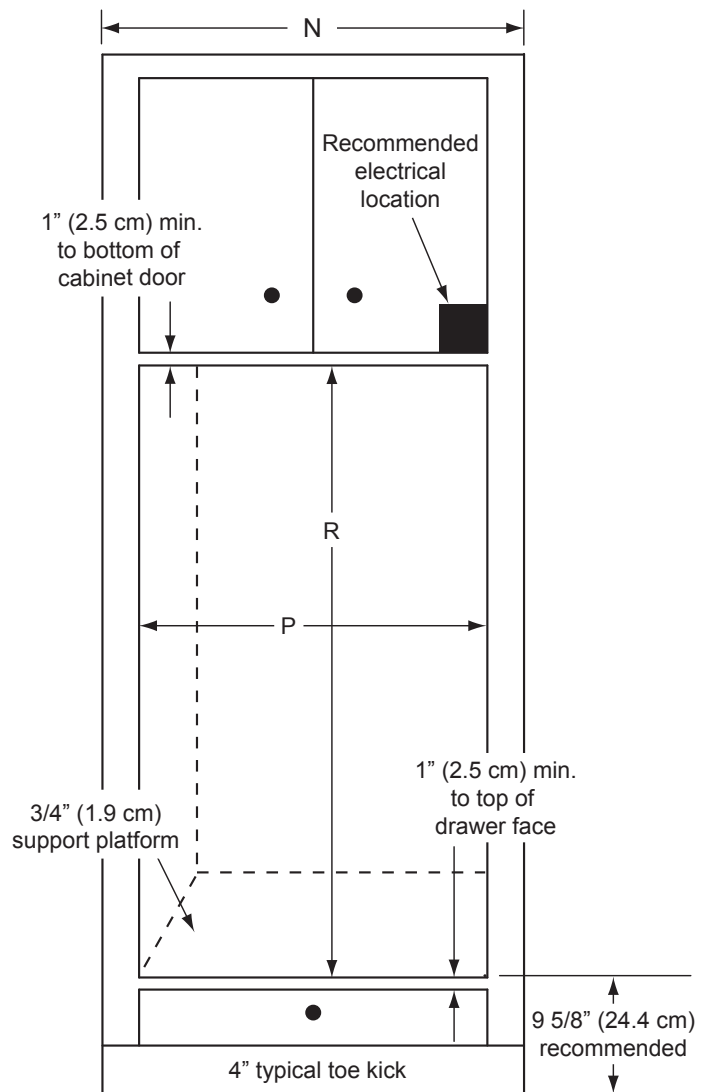
Installation Specifications

Cabinet Dimensions

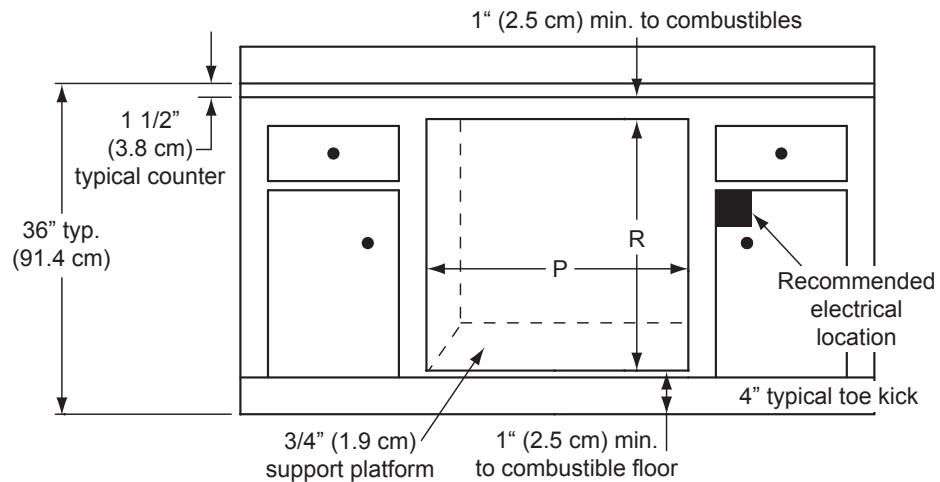
Cabinet tolerances: +1/16 (1.6 mm), -0, unless otherwise stated.



Single Wall Oven - Cutout Dimensions



Double Wall Oven - Cutout Dimensions



Single Wall Oven - Installed Under Counter

Installation Instructions

Verify the Package Contents

Verify that all the components below have been provided. If any item is missing or damaged, please contact your dealer immediately. Do not install a damaged or incomplete appliance. Make sure that you have everything necessary to ensure proper installation before proceeding.

- Use and care manual
- Mounting screws, wood, #6 X ¾, Dacor PN 83331, 4 for single ovens, 6 for double ovens
- Standard oven racks (single ovens come with 2, double ovens come with 4)
- GlideRack™ oven rack (single ovens come with 1, double ovens come with 2)
- Dacor Stainless Steel Cleaner (stainless steel models only)
- Meat probe

Remove the oven door(s)

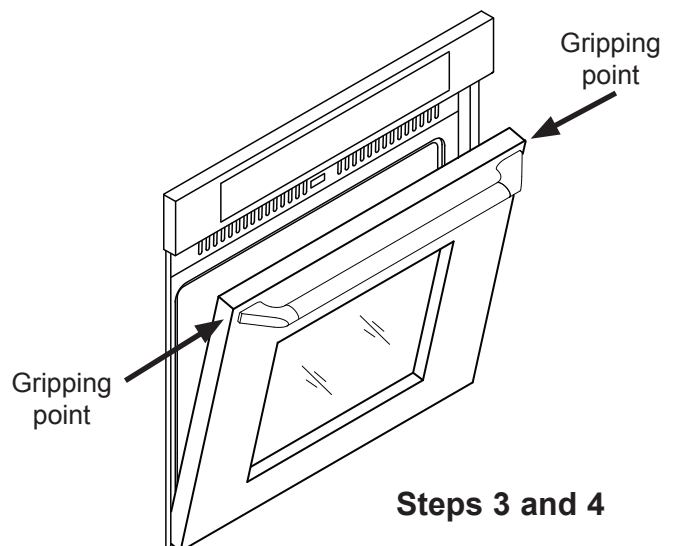
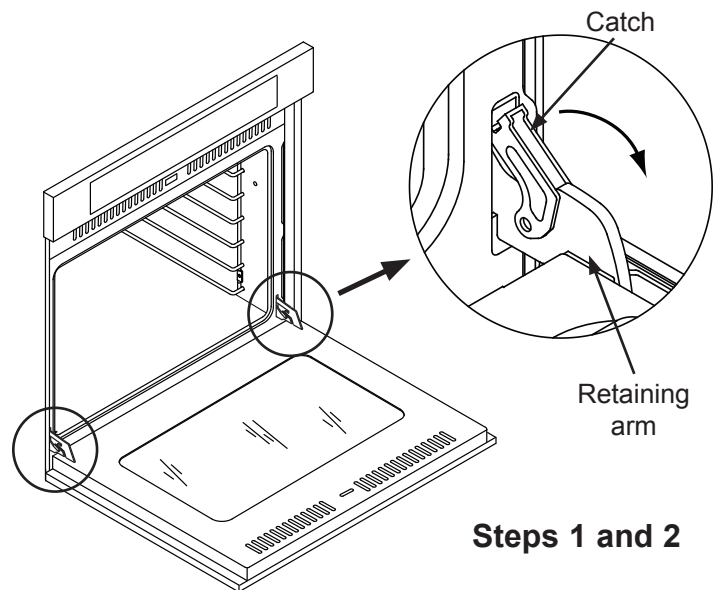
Remove the door(s) to reduce weight and make the oven easier to lift:

WARNING

- Do not attempt to disengage the hinge catches with the door removed from the oven. The hinge springs could release, causing personal injury.
- Do not lift or carry the oven door by the door handle.
- On double ovens, remove the bottom door first to reduce the chance of damage.

Removing the Oven Door(s)

1. Open the door to its fully opened position.
2. Using a flat blade screwdriver, rotate the catch over the retaining arm on each hinge.
3. Lift the oven door to about a 15° angle from the vertical position.
4. Hold the door with both hands just below the handle and pull it away from the oven while continuing to lift.



Installation Instructions

Electrical Connection

WARNING

- If the electrical service provided does not meet the **Electrical Specifications** (see page 4), do not proceed with the installation. Call a licensed electrician to correctly install the required wiring.
- Failure to disconnect power prior to installation may result in an electric shock or fire hazard.
- Do not turn on power to the appliance until the oven is properly grounded according to these instructions.
- The installer must connect the ground terminal (or lead) on the appliance to a grounded, metallic, permanent wiring system or grounding conductor. Failure to do so may result in an electric shock hazard.
- Do not use an extension cord with this appliance. Such use may result in fire, electric shock or personal injury.
- Do not install a fuse in the neutral or ground circuit. A fuse in the neutral or ground circuit may result in an electric shock hazard.
- The appliance must be connected to the power supply with copper wire only. The use of aluminum wire may result in unsatisfactory conditions.

IMPORTANT

Provide slack in the conduit to allow the oven to slide forward for servicing.

NOTE

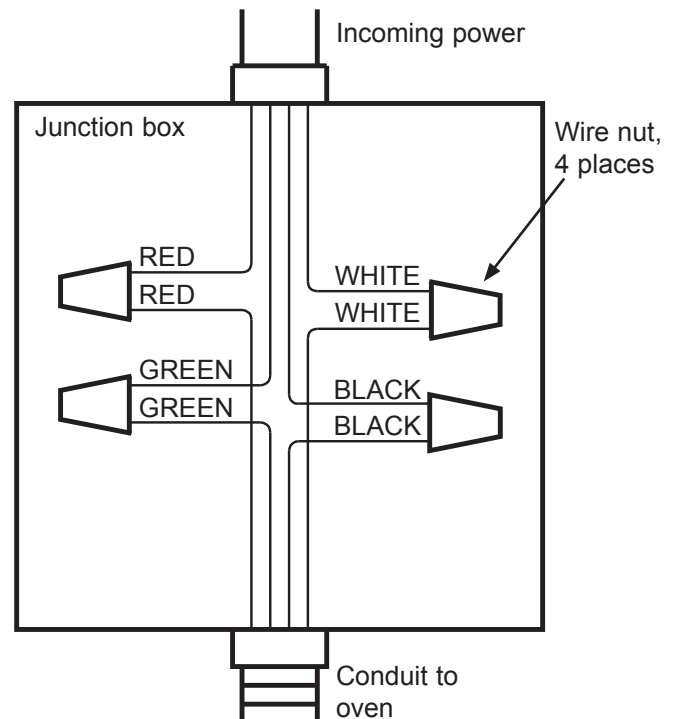
The electrical connection leads from the supplied appliance conduit may be a smaller gage than the standard household wiring of the dedicated supply circuit. They are suitable for connection to household wiring under the jurisdiction of the National Electric Code, and/or the local inspection authority.

1. Before proceeding, turn off power to the circuit to which the oven will be connected at the circuit breaker or fuse box.
2. Position the oven directly in front of the cabinet cutout.
3. Feed the appliance conduit into the junction box and attach it using a UL approved strain relief.
4. Depending upon local codes, utilize one of three methods to connect the appliance to power:
 - ◇ Connect to a four wire electrical system
 - ◇ Connect to a three wire electrical system, where local codes permit
 - ◇ Connect to a three wire electrical system with external ground, according to local codes.

See pages 9 to 11 for detailed directions.

Connecting to a Four Wire Electrical System

1. Separate the wires coming out of the appliance conduit.
2. Connect the white wire from the appliance conduit to the white (neutral) supply wire in the junction box.
3. Connect the black wire from the appliance conduit to the black (L1) supply wire in the junction box.
4. Connect the red wire from the appliance conduit to the red (L2) supply wire in the junction box.
5. Connect the green wire from the appliance conduit to the green (ground) wire in the junction box.



Four Wire Connection

continued...

Installation Instructions

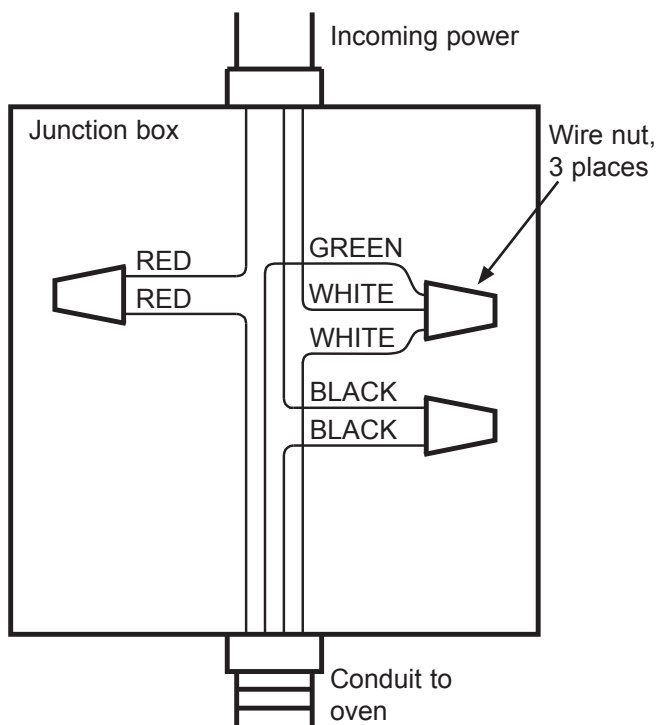
Electrical Connection - (continued)

Connecting to a Three Wire Electrical System - Where Local Codes Permit

WARNING

Do not connect the green appliance conduit wire to the neutral (white) junction box wire unless local building codes permit.

1. Separate the wires coming out of the appliance conduit.
2. Connect the green and white wires from the appliance conduit to the white (neutral) supply wire in the junction box.
3. Connect the black wire from the appliance conduit to the black (L1) supply wire in the junction box.
4. Connect the red wire from the appliance conduit to the red (L2) supply wire in the junction box.



Three Wire Connection

Connecting to a Three Wire Electrical System with External Ground - Where Local Codes Permit

WARNING

- Do not ground the appliance to a gas supply pipe or hot water pipe.
- If connecting the ground wire to a grounded cold water pipe, connect using a separate copper grounding wire (No. 10 minimum) and a clamp with an external grounding screw. The grounded cold water pipe must have metal continuity to electrical ground and must not be interrupted by insulating materials. Any insulating materials must be jumped, with a minimum, 4 AWG wire to establish continuity to ground. See facing page.

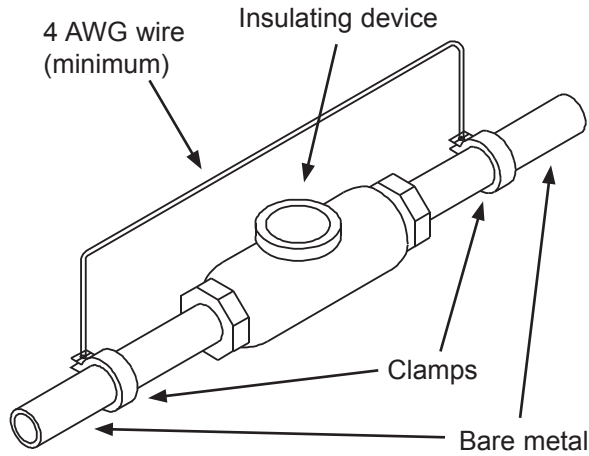
NOTE

If the junction box has been properly grounded by a licensed electrician, the green (ground) wire from the appliance conduit may be connected to the junction box using a loop terminal.

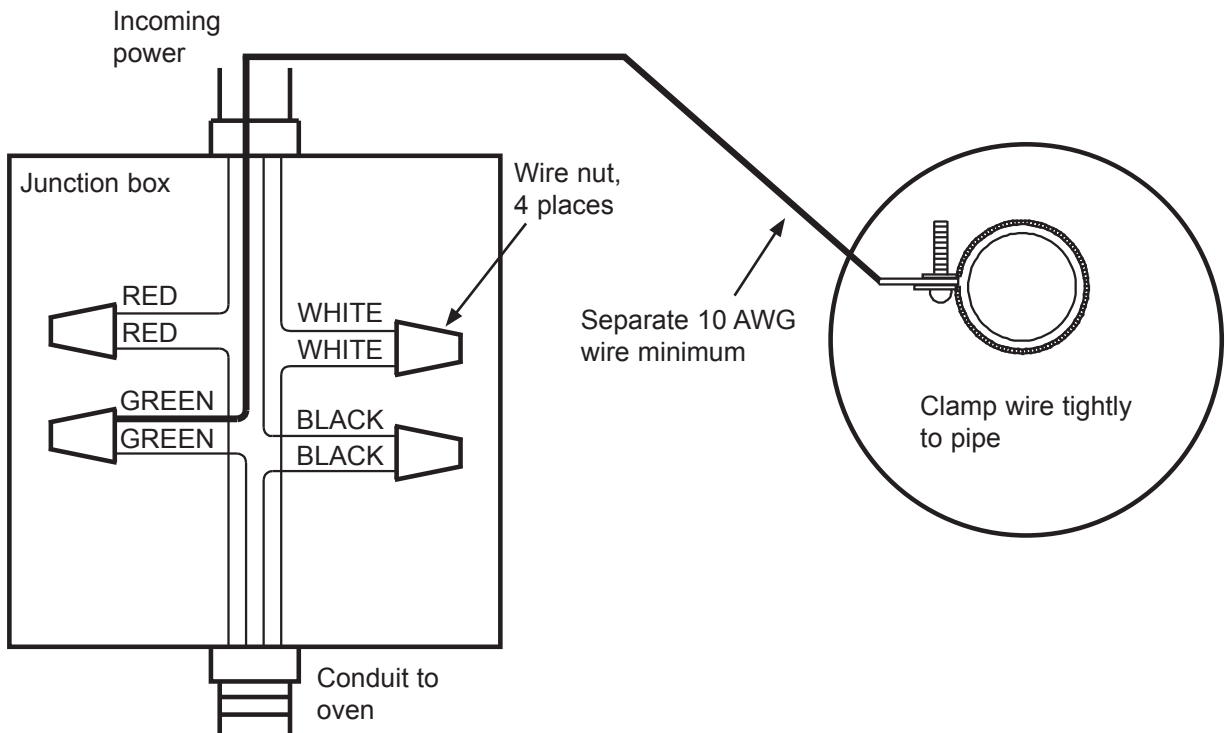
To connect the green appliance conduit wire to a grounded cold water pipe, see diagrams on facing page.

1. Separate the wires coming out of the appliance conduit.
2. Connect the white wire from the appliance conduit to the white (neutral) supply wire in the junction box.
3. Connect the black wire from the appliance conduit to the black (L1) supply wire in the junction box.
4. Connect the red wire from the appliance conduit to the red (L2) supply wire in the junction box.
5. Connect the green wire from the appliance conduit to a grounded cold water pipe as shown. Jumper any insulating materials as shown above with a length of No. 4 copper wire. Securely clamp the wire to bare metal at both ends.

Installation Instructions



Insulated Pipe Jumper



Three Wire Connection with External Ground

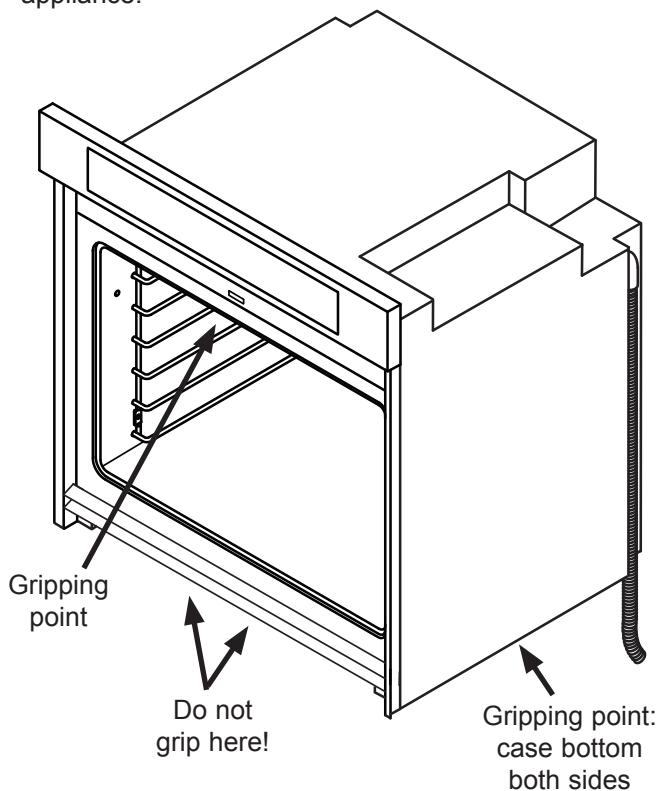
Installation Instructions

Installing the Oven in the Cabinet

WARNING

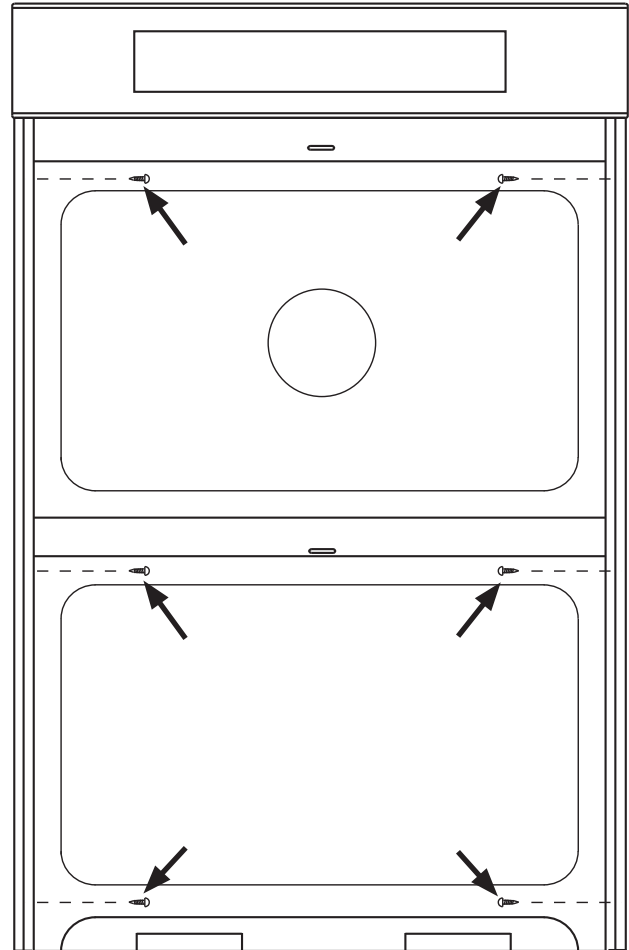
- Failure to properly install the mounting screws may result in movement or tipping of the oven during use, resulting in personal injury.
- Do not block the oven air exhaust located at the bottom of the oven. Blocking the intake may result in a fire hazard, cabinet damage or poor performance.
- The wall oven is heavy. Do not attempt to install it in the cabinet with less than two people.
- Do not use the exhaust grill or the bottom edge of the oven opening as a gripping point. Damage to the exhaust grill may result.

1. Lift the wall oven up to the cabinet cutout, using the upper edge of the cavity opening and the bottom of the oven case side as gripping points. Be certain to take all necessary safety precautions due to the weight of the appliance.



2. Resting the oven on the cabinet-mounting platform, slide the oven into the recessed area until the rear edge of the oven frame is flush with the cabinet face and the oven is centered within the cutout. Ensure that the electrical conduit slides through the opening in the cabinet platform or coils above the oven chassis as the oven is slid into place. The cable must be placed into the recessed area located along the rear vertical edge of the oven or coiled above the oven chassis. Do not trap the appliance cable between the oven case back and the rear wall.

3. Locate the mounting holes in the trim on both sides of the oven. There are four (4) holes, two (2) on each side, for single oven models and six (6) holes for double oven models.
4. Use a 1/16" drill bit to drill pilot holes in the cabinet through all of the trim mounting holes.
5. Install all of the provided #6 screws through the oven trim into the cabinet to secure the oven. Do not over-tighten.



Mounting Screws:

Four (4) for single oven
Six (6) for double oven

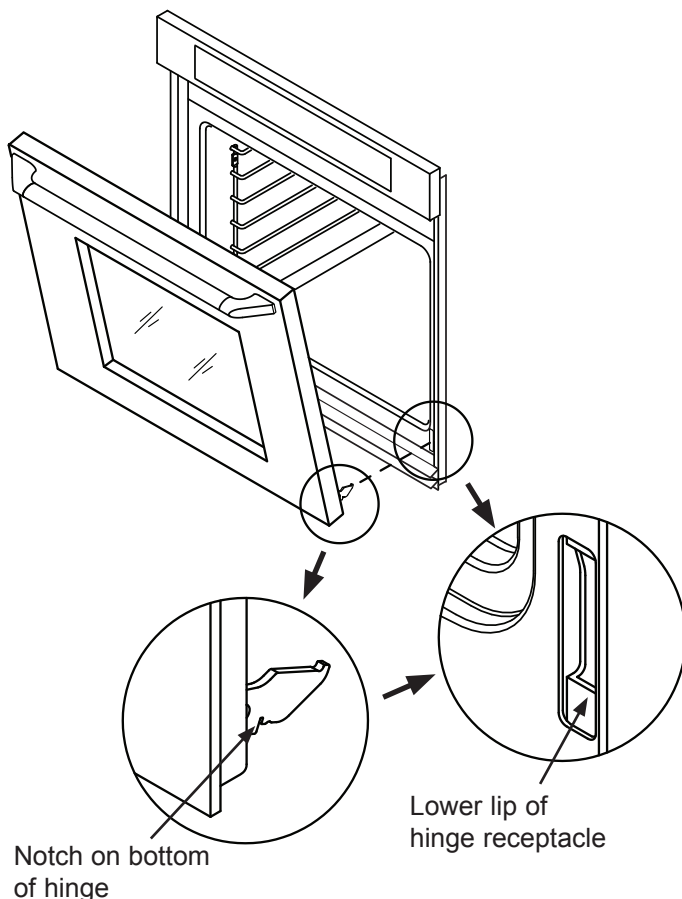
Installation Instructions

Reinstalling the Oven Door

WARNING

To avoid personal injury or damage to the door from it falling off its hinges:

- Make sure that the notch on the bottom of each hinge rests on top of the lower lip of each hinge receptacle before attempting to open the oven door.
 - Rotate the hinge locks toward the front of the appliance immediately after installation of the door.
 - On double ovens, install the top door first to reduce the chance of damaging the lower door during installation.
1. Grasp the oven door on opposite sides and hold it at a 15° angle from the front of the oven. Slide the hinges into the hinge openings, resting the bottom of the hinge arms on the hinge receptacles. Continue to hold the door at a 15° angle with one hand while pushing in on each of the bottom corners of the door. Push until the notch on the bottom of each hinge slips over the lower lip of each hinge receptacle.
 2. Lower the door to the fully opened position.
 3. Rotate the two hinge locks toward the oven.
 4. Slowly and carefully open and close the door completely to ensure that it is properly installed.



Verifying Proper Operation

1. For stainless steel ovens, peel off the protective layer of plastic that covers the stainless steel surfaces.
2. Remove any packaging from inside the oven(s).
3. Slide the oven racks onto the supports inside the oven chamber(s) according to the use and care manual.
4. Turn on power to the oven at the circuit breaker or fuse box.
5. Set the clock according to the use and care manual.

NOTE

For double ovens, test operation for both the upper and lower ovens.

6. Press the **BAKE** key on the control panel. The default bake temperature should appear on the display.
7. Press **START**. After approximately three (3) minutes, heat should begin to radiate from the floor inside the oven.
8. Press **CANCEL/SECURE**.
9. If the oven does not operate properly, follow these troubleshooting steps:
 - ◇ Verify that power is being supplied to the oven.
 - ◇ If power is not being properly supplied, turn off power at the circuit breaker or fuse box and check the electrical connections.
 - ◇ Turn on power and repeat the above heating test.
 - ◇ If the appliance still does not work, contact Dacor Distinctive Service at (800) 793-0093 ex. 2822. Do not attempt to repair the appliance yourself. If you need service, be sure to have the model and serial numbers available when you call. See page 3 for location.

Installation Instructions

Installation Checklist



WARNING

To ensure proper installation, the installer must complete the checklist below to make sure that no part of the installation has been overlooked.

- Is the oven mounted on a level platform? See page 6.
- Is the oven wired and grounded according to these instructions and in accordance with all applicable electrical codes? See pages 4 and 9.
- Is the oven secured into the cabinet with all the mounting screws four (4) on single oven models, six (6) on double ovens? See page 12.
- Is/are the oven door(s) properly installed according to these instructions? See page 13.
- Has proper operation been verified?
- Has the warranty been activated on-line or the warranty card been filled out completely and mailed?

The Dacor logo is located in the top left corner of the page. It consists of the word "dacor" in a white, lowercase, italicized sans-serif font, with a registered trademark symbol (®) to its right. The logo is set against a solid black rectangular background.

Instructions d'installation

Four mural

Modèles : DTO127, DTO130, DTO227, DTOV230,
DTOV227, DTOV130, DTOV227, DTOV230

**Les spécifications figurant dans ce manuel sont susceptibles d'être modifiées sans préavis.
Dacor® n'assumera aucune responsabilité en cas de modification de ces spécifications.**

Table des matières

Avant de commencer	17	Dimensions du produit	20
Importantes instructions de sécurité	17	Planification de l'installation	22
Ce qui vous devez savoir instructions de sécurité.....	17	Instructions d'installation	24
Mesures de sécurité générales.....	18	Vérifier le contenu de l'emballage.....	24
Information pour le service à la clientèle	19	Enlèvement de la porte.....	24
Pour obtenir de l'aide	19	Connexion électrique	25
L'étiquette de données sur le produit.....	19	Installation du four dans l'armoire.....	28
Idendu modèle	19	Vérification du bon fonctionnement.....	29
Prescriptions d'installation	20	Liste de vérification de l'installation	30
Spécifications électriques.....	20		

Avant de commencer

Important :

- **Installateur** : Dans un souci de sécurité, lire ces instructions d'installation en entier et attentivement avant de commencer le processus d'installation. Laisser ces instructions d'installation au propriétaire.
- **Propriétaire** : Conserver ces instructions d'installation pour vous y reporter en cas de besoin. Conserver ces instructions d'installation à l'intention du contrôleur d'installations électriques local.

Importantes instructions de sécurité

Ce qui vous devez savoir instructions de sécurité

- Instructions de sûreté d'avertissement et importantes apparaître en ce livre ne sont pas censés couvrir toutes les conditions possibles et situations qui peuvent se produire. Le bon sens, l'attention et le soin doivent être employés en installant, en maintenant ou en actionnant un appareil.
- Entrez en contact avec toujours le fabricant au sujet des problèmes ou des conditions que vous ne comprenez pas. Voir *Information pour le service à la cliente*.

Symboles de sûreté, mots et étiquettes

DANGER

Risques immédiats qui **RÉSULTERONT** en de graves blessures ou même la mort.

ADVERTISSEMENT

Risques ou pratiques non sûres, qui **POURRAIENT** résulter en de graves blessures ou même la mort.

MISE EN GARDE

Risques ou pratiques non sûres qui **POURRAIENT** résulter en des blessures mineures ou dégâts matériels.

LIRE ET CONSERVER CES DIRECTIVES

DANGER

IMPORTANT : N'entreposez et n'utilisez pas d'essence ou autres vapeurs et liquides inflammables à proximité de cet appareil ou de tout autre appareil électroménager. Garder les articles qui pourraient exploser, comme les générateurs d'aérosol, éloignés des appareils ménagers. Ne pas entreposer de produits inflammables ou explosifs dans des armoires ou zones attenantes (ou au-dessus et au-dessous).

ADVERTISSEMENT

ADVERTISSEMENT : **NE JAMAIS** utiliser cet appareil comme dispositif de chauffage de la pièce. Le nonrespect de cette instruction peut entraîner une surchauffe de l'appareil.

ADVERTISSEMENT

ADVERTISSEMENT : **NE JAMAIS** couvrir les fentes, les trous, les grilles ou les passages sur l'appareil ménager. Ne pas revêtir le four de papier d'aluminium ou d'un autre matériel. Le faire empêche l'air de circuler dans le châssis et peut causer un incendie.

ADVERTISSEMENT

Ne pas ranger ou utiliser cet appareil à l'extérieur. Ne pas utiliser ce produit près de l'eau —par exemple, près d'une piscine.

ADVERTISSEMENT

Lorsqu'on utilise les réglages grillage (**BROIL**) et grillage par convection (**CONVECTION BROIL**), la porte du four doit être complètement fermée.

Importantes instructions de sécurité

Mesures de sécurité générales

Pour réduire le risque d'incendie, de choc électrique, de blessures ou de dommages lors de l'utilisation de cet appareil, il convient d'observer certaines précautions élémentaires dont les suivantes :

AVERTISSEMENT

- Lire le manuel d'utilisation d'accompagnement en entier avant d'utiliser l'appareil ménager.
- Garder les emballages éloignés des enfants. Le plastique en feuilles et les sacs peuvent causer la suffocation.
- Si le produit reçu est endommagé, contactez immédiatement votre revendeur ou votre constructeur. Ne pas installer ou utiliser un appareil ménager endommagé.
- Assurez-vous que votre appareil est bien installé et mis à la terre par un installateur qualifié, conformément aux directives d'installation fournies. L'installateur doit montrer au client l'emplacement du tableau disjoncteurs ou du coffret de fusibles afin qu'il sache où il se trouve et comment couper l'alimentation vers l'appareil. Dacor n'est pas responsable des réparations nécessaires pour corriger une installation inappropriée. L'installation convenable est la responsabilité du propriétaire.
- Ne transportez pas le porte par le poignée.
- Au moins deux personnes sont requises pour l'installation sécuritaire de l'appareil ménager.
- Ne pas installer ni réparer ni remplacer toute pièce du four si ce n'est pas spécifiquement recommandé dans les instructions. Toute autre opération d'entretien ou de réparation doit être confiée à un technicien qualifié.
- Avant de procéder à l'entretien ou à l'installation de cet appareil ménager, s'assurer que l'électricité est coupée au niveau du tableau disjoncteurs ou du coffret de fusibles.
- N'utilisez cet appareil que pour l'usage auquel il est destiné, comme expliqué dans le présent manuel. Cet appareil ménager n'est pas destiné à l'utilisation commerciale ou de laboratoire.
- Ne pas grimper sur aucune partie de l'appareil.
- Ne pas laisser les enfants ou les animaux domestiques seuls ou sans surveillance dans la zone autour de l'appareil ménager. Ne pas laisser les enfants jouer avec les commandes ou toucher d'autres parties de l'appareil ménager.
- Ne pas entreposer des articles intéressants pour les enfants sur l'appareil ou au-dessus de ce dernier. Les enfants pourraient se brûler ou se blesser s'ils grimpent sur l'appareil.
- Ne pas endommager les commandes. Ne pas rajuster ou modifier une partie de la cuisinière à moins d'indication précise dans les présentes instructions.
- Afin de prévenir les blessures attribuables au basculement vers l'avant de l'appareil, fixer l'appareil à l'armoire à l'aide des vis de montage fournies.

AVERTISSEMENT

- Garder les articles inflammables, comme le papier, le carton, le plastique et l'étoffe éloignés des surfaces chaudes. Ne pas placer produits inflammables à l'intérieur du four. Ne pas laisser les poignées toucher les surfaces chaudes.
- Ne pas porter de vêtements amples ou libres pendant l'utilisation de cet appareil ménager. Ne pas laisser les vêtements, les poignées, les serviettes ou les chiffons entrer en contact avec les surfaces chaudes immédiatement après l'utilisation.
- Ne pas utiliser le four pour l'entreposage.
- **NE PAS TOUCHER LES SURFACES CHAUDES DE L'APPAREIL MÉNAGER OU LES ZONES AVOISINANTES PENDANT OU IMMÉDIATEMENT APRÈS L'UTILISATION.**
- Ne pas toucher les surfaces extérieures de l'appareil ménager pendant le cycle d'autonettoyage. Elles seront chaudes. La ventilation du four peut causer le réchauffement des garnitures.
- Pour des raisons de sécurité et pour un bon rendement du four, ne pas utiliser le four pour la cuisson sans le filtre à convection installé. Lorsque le filtre n'est pas installé, les pales de ventilateur en rotation à l'arrière du four sont exposées.
- Les revêtements antiadhésifs, lorsqu'ils sont chauffés, peuvent nuire aux oiseaux. Déplacer les oiseaux à une salle séparée bien ventilée.
- Afin de prévenir les dommages, retirer la sonde thermique du four lorsqu'elle n'est pas utilisée.
- Ne pas revêtir le four de papier d'aluminium ou d'un autre matériel. Ces articles peuvent fondre ou brûler pendant l'autonettoyage et endommager le four de façon permanente.
- Ne pas laisser d'objets, comme du papier d'aluminium, la sonde thermique ou des plaques à biscuits au bas du four. Cela pourrait causer la surchauffe du four ou des articles laissés à l'intérieur, ce qui crée un risque d'incendie ou cause des dommages.
- Ne pas couvrir les éléments de chauffage au haut de la chambre de cuisson, avec papier d'aluminium, des marmites, des poêles, etc. Couvrir les éléments de chauffage peut causer la surchauffe et endommager le four.
- Toujours s'assurer que la lentille du dispositif d'éclairage est en place pendant l'utilisation du four. La lentille protège l'ampoule du bris causé par les températures élevées du four ou le choc mécanique.

Information pour le service à la clientèle

Pour obtenir de l'aide

Pour tout problème ou question concernant l'installation, contacter le marchand Dacor ou l'équipe de service à la clientèle Dacor. Pour toute réparation sur les appareils ménagers Dacor sous garantie, contacter la ligne de réparations réservée aux produits Dacor. Lors de la prise de contact, vous devrez communiquer le nom du modèle et le numéro de série de l'appareil. Le modèle et le numéro de série sont imprimés sur l'étiquette de données sur le produit.

Équipe de service à la clientèle Dacor

Téléphone : (800) 793-0093 ex. 2813 (É.-U. et Canada)
Du lundi au vendredi, de 6 h à 17 h, heure du Pacifique

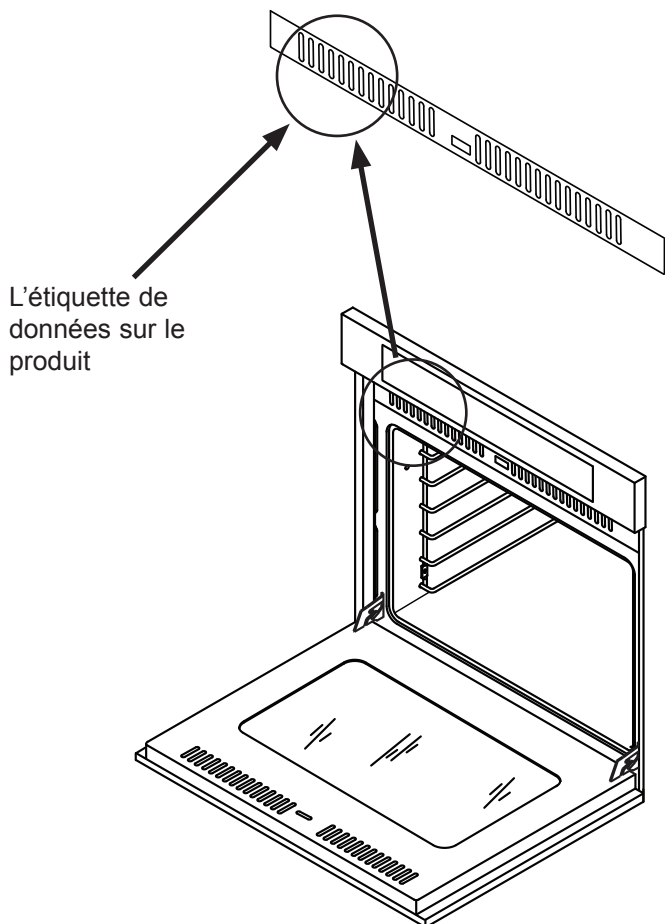
Site Web : www.dacor.com

Ligne de réparations réservée aux produits Dacor (réparations sous garantie uniquement)

Téléphone : (800) 793-0093 ex. 2822 (É.-U. et Canada)
Du lundi au vendredi, de 6 h à 17 h, heure du Pacifique

L'étiquette de données sur le produit

- L'étiquette de données sur le produit contient de l'information sur le modèle et le numéro de série, ainsi que l'alimentation en électricité.
- On peut le voir à travers le grill situé sous le tableau de commande. Ouvrir la porte pour exposer le grill. Sur les fours doubles, la plaque est située derrière le grill du haut.



Idendu modèle

DTOV230FS



A LES SÉRIES DE MODÈLE

B GARNITURE VERTICAL :

V = Équipé avec garniture vertical
Aucun caractère = Sans garniture vertical

C NOMBRE DE CHAMBRES DE CUISSON :

1 = Simple
2 = Double

D LARGEUR :

27 = Modèle de 27"
30 = Modèle de 30"

E STYLE DE PORTE :

F = Poignée intégré
Aucun caractère = Poignée extérieur

F COULEUR :

B = Noir
S = Acier inoxydable
W = Blanc

Prescriptions d'installation

Spécifications électriques

- Il incombe au propriétaire de s'assurer qu'un électricien agréé effectue l'installation de l'alimentation pour cet appareil ménager. Le raccordement électrique, y compris la taille et la mise à la terre minimum du fil d'alimentation, doit être effectué selon le National Electric Code ANSI/NFPA 70 et les codes et ordonnances locaux.

Pour obtenir un exemplaire de la norme des codes, contacter :

National Fire Protection Association
1 Batterymarch Park
Quincy, Massachusetts 02269, États-Unis

- La tension, la fréquence et l'intensité de courant électrique appropriées doivent être assurées à la boîte de jonction à partir d'un circuit monophasé mis à la terre réservé qui est protégé par un disjoncteur ou un fusible à fusion lente de bonne taille. Si on utilise un fusible à fusion lente, protéger les deux côtés de la ligne par un fusible (L1 et L2).
- Les délais de préchauffage et les délais de rétablissement de la température de la cavité seront légèrement plus longs si l'appareil fonctionne avec un circuit de moins de 240 VCA.
- Cet appareil ménager est fourni avec du câblage électrique dans un conduit en métal flexible.

Modèle	Charge branchée totale	Exigences circuit réservé
DTO(V)127	240 VCA 60 Hz, 23,3 Amp., 5.6 kW	240 VCA 60 Hz, 4 fil*, 30 A
DTO(V)130	240 VCA 60 Hz, 24,9 Amp., 6.0 kW	240 VCA 60 Hz, 4 fil*, 30 A
DTO(V)227	240 VCA 60 Hz, 26,6 Amp., 6.4 kW	240 VCA 60 Hz, 4 fil*, 40 A
DTO(V)230	240 VCA 60 Hz, 26,6 Amp., 6.4 kW	240 VCA 60 Hz, 4 fil*, 40 A

* Deux fils sous tension de 120 VCA (L1 et L2), une neutre, un mis à la terre.

Les spécifications illustrées sont aux fins de référence uniquement. Voir l'étiquette de données sur le produit (voir page 19) pour les spécifications exactes.

Dimensions du produit

Toutes les tolérances : $\pm 1/16$ ($\pm 1,6$ mm), sauf indication contraire

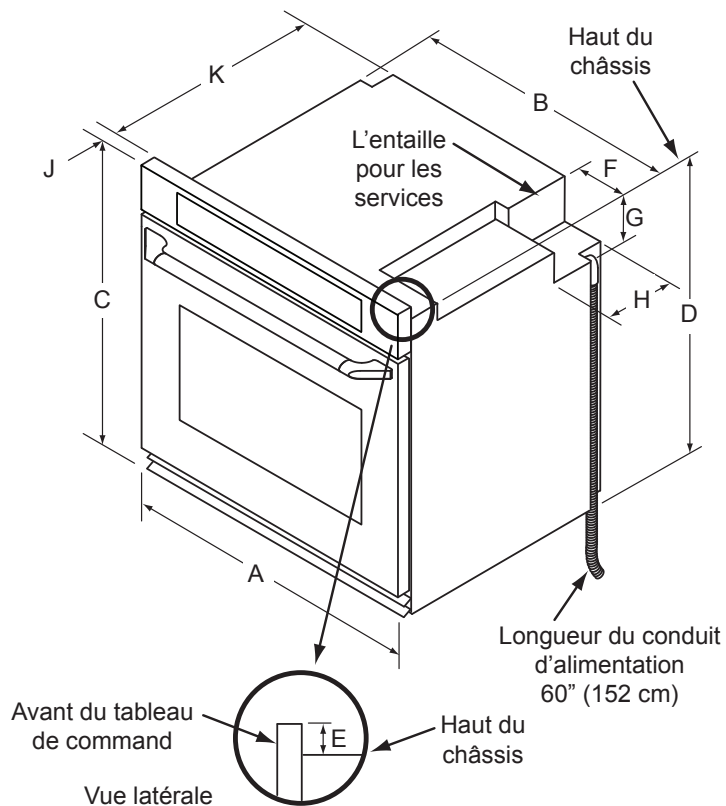
Modèle	(A)	(B)	(C)	(D)	(E)
DTO(V)127	26 7/8" (68,3 cm)	25 3/8" (64,5 cm)	27 3/4" (70,5 cm)	26 5/8" (67,6 cm)	1 1/8" (2,9 cm)
DTO(V)130	29 7/8" (75,9 cm)	28 3/8" (72,1 cm)	27 3/4" (70,5 cm)	26 5/8" (67,6 cm)	1 1/8" (2,9 cm)
DTO(V)227	26 7/8" (68,3 cm)	25 3/8" (64,5 cm)	50 1/8" (127,3 cm)	49" (124,5 cm)	1 1/8" (2,9 cm)
DTO(V)230	29 7/8" (75,9 cm)	28 3/8" (72,1 cm)	50 1/8" (127,3 cm)	49" (124,5 cm)	1 1/8" (2,9 cm)

	(F)	(G)	(H)	(J)	(K)
Tous les modèles	6 1/2" (16,5 cm)	5" (12,7 cm)	7 7/8" (20,0 cm)	1 1/4" (3,2 cm)	23 1/2" (59,7 cm)

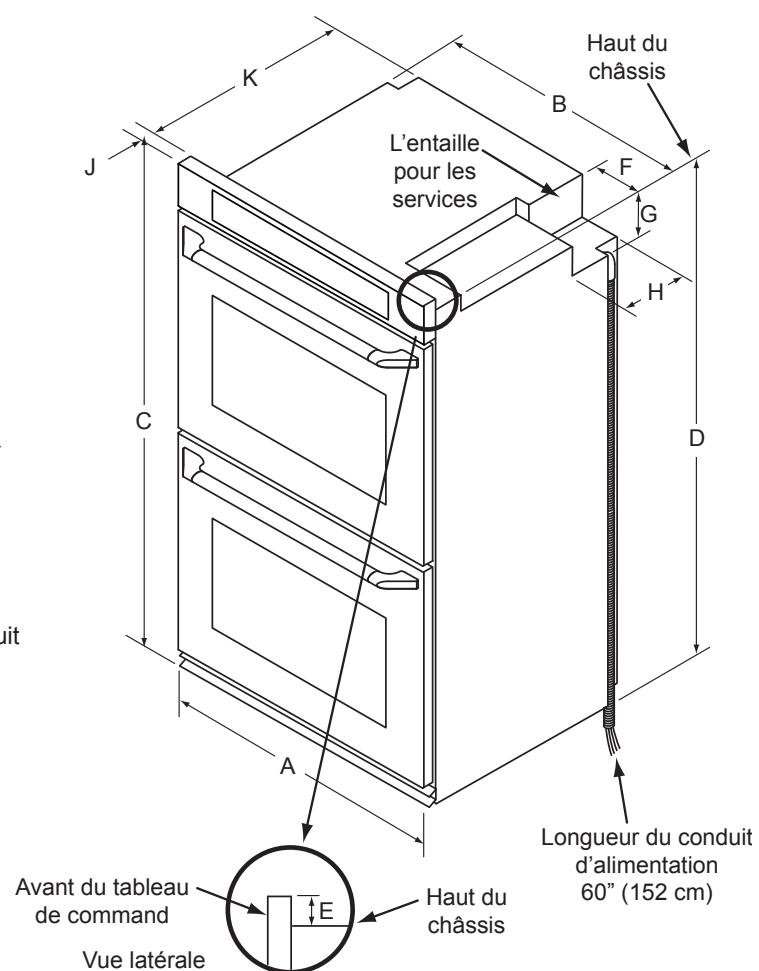
Prescriptions d'installation

Dimensions du produit

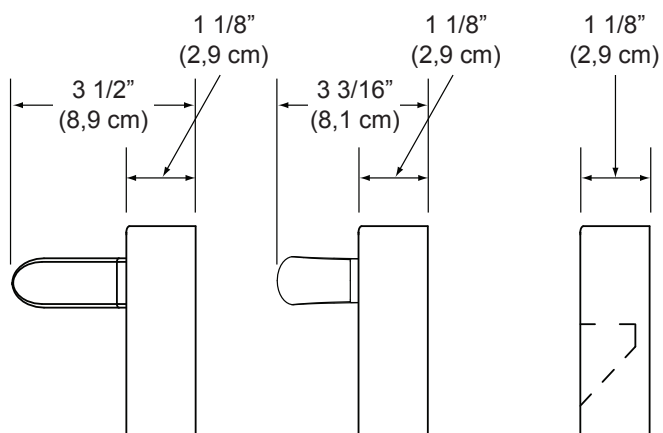
Toutes les tolérances : $\pm 1/16$ ($\pm 1,6$ mm), sauf indication contraire



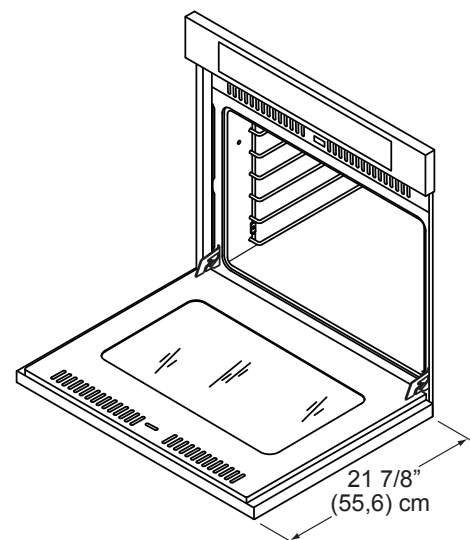
Fours simples



Fours Doubles



Poignée - Vue latérale



Prescriptions d'installation

Planification de l'installation



AVERTISSEMENT

Respecter tous les codes et ordonnances existants pendant la planification et l'installation. Communiquer avec le service de la construction local pour obtenir plus de renseignements.



IMPORTANT

- Situer la boîte de jonction afin que le four puisse être débranché facilement au cas où il devrait être retiré complètement du mur pour l'entretien.
- Si le four n'est pas installé horizontalement, la cuisson peut être mauvaise ou irrégulière.
- Vérifier attentivement l'emplacement où sera installé l'appareil ménagers. L'appareil ménager devrait être placé de façon à permettre un accès pratique. S'assurer que l'alimentation électrique, respectant les spécifications indiquées à la page 20, peut être assurée à l'emplacement choisi.
- Dacor recommande d'installer la boîte de connexion électrique à l'un des emplacements indiqués à la page opposée.
- Installer la boîte de connexion à un emplacement qui permet l'enlèvement de l'appareil ménager de l'entaille afin d'être réparé sans être débranché.
- Planifier l'installation afin de respecter ou dépasser tous les dégagements minimums. Les dimensions indiquées offrent les dégagements minimums, sauf indication contraire. S'assurer de tenir compte du dégagement approprié pour la porte du four lorsqu'elle est ouverte selon les **Dimensions du produit**.
- La profondeur et la largeur de l'armoire doivent encadrer complètement la partie enfoncée de l'appareil ménager.
- Toutes les surfaces qui touchent l'appareil ménager doivent être solides, horizontales et en retour d'équerre.
- Prévoir une plateforme dans l'armoire pour soutenir l'appareil ménager. Elle doit être installée horizontalement et droite. Le bord supérieur de la plateforme doit être égal à l'entaille à l'avant de l'armoire. Il n'y a pas de dispositions pour niveler l'appareil ménager une fois installé. Un contreplaqué d'une épaisseur de 3/4" (1,9 cm) est recommandé.

Dimensions de l'armoire

Tolérances de l'armoire : +1/16 (1,6 mm), -0, sauf indication contraire

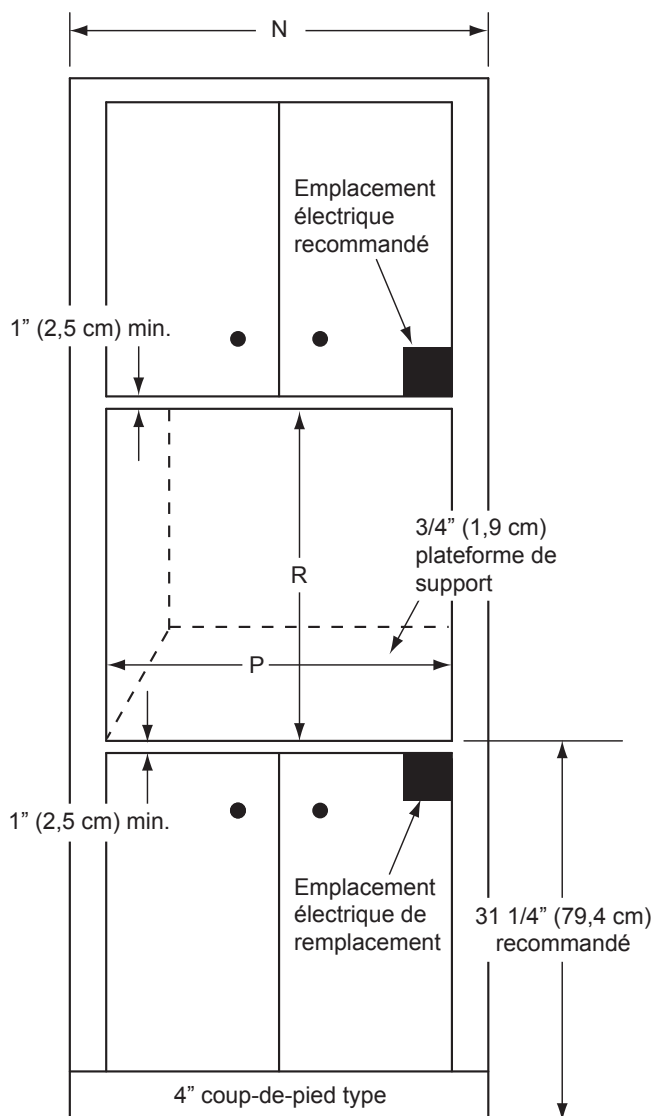
Modèle	Largeur du placard, minimum (N)	Largeur de l'ouverture découpée (P)	Hauteur de l'ouverture découpée (R)
DTO[V]12	27" (68,6 cm)	25 1/2" (64,8 cm) minimum (recommandé) 26 1/8" (66,4 cm) maximum	26 3/4" (67,9 cm) minimum (recommandé) 27 1/2" (69,9 cm) maximum
DTO(V)130	30" (76,2 cm)	28 1/2" (72,4 cm) minimum (recommandé) 29 1/8" (74,0 cm) maximum	
DTO(V)227	27" (68,6 cm)	25 1/2" (64,8 cm) minimum (recommandé) 26 1/8" (66,4 cm) maximum	49 1/8" (124,8 cm) minimum (recommandé) 50" (127,0 cm) maximum
DTO(V)230	30" (76,2 cm)	28 1/2" (72,4 cm) minimum (recommandé) 29 1/8" (74,0 cm) maximum	

Profondeur minimum de l'intérieur de l'armoire : 24" (61,0 cm)

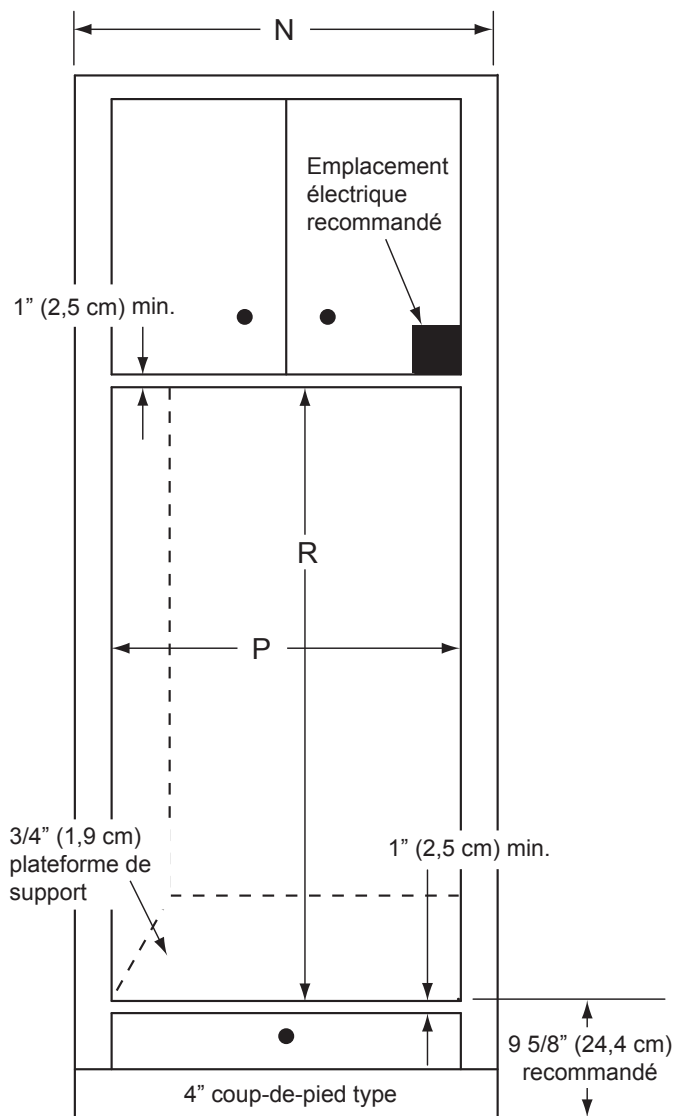
Prescriptions d'installation

Dimensions de l'armoire

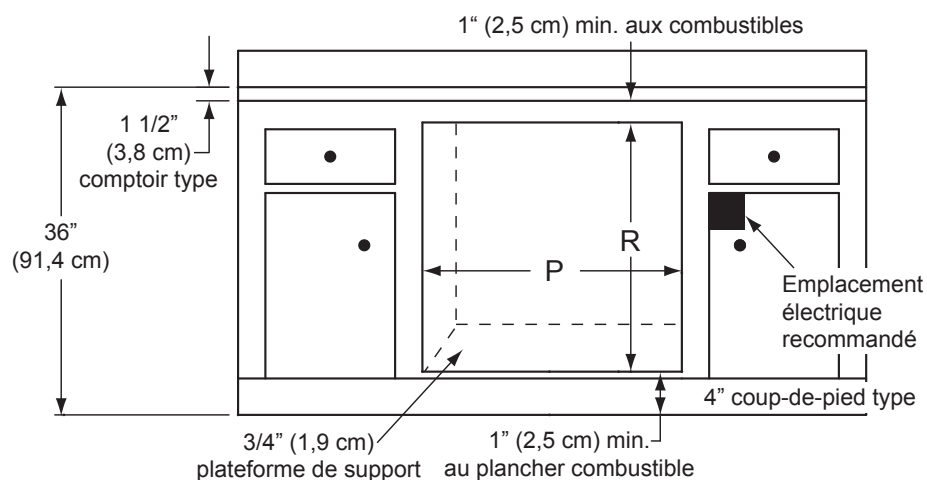
Tolérances de l'armoire : +1/16 (1,6 mm), -0, sauf indication contraire



Four Simple - Dimensions du placard



Four Double - Dimensions du placard



Four simple sous le plan de travail

Instructions d'installation

Vérifier le contenu de l'emballage

Déballer la boîte de pièces et vérifier que toutes les composantes nécessaires ont été fournies. S'il manque des articles ou si des articles sont endommagés, communiquer immédiatement avec le revendeur. Ne pas installer un appareil endommagé ou incomplet. S'assurer d'avoir tout ce qui est nécessaire à l'installation indiquée avant de procéder.

- Vis de montage (#6 X 3/4), Pièce n° 83331, 4 pour four simple, 6 pour four double
- Grilles de four standard, 2 pour four simple, 4 pour four double
- Grilles de four GlideRack^{MC}, 1 pour four simple, 2 pour four double
- Produit de nettoyage Dacor pour acier inoxydable (Modèles en acier inoxydable seulement)
- Sonde thermique

Enlèvement de la porte

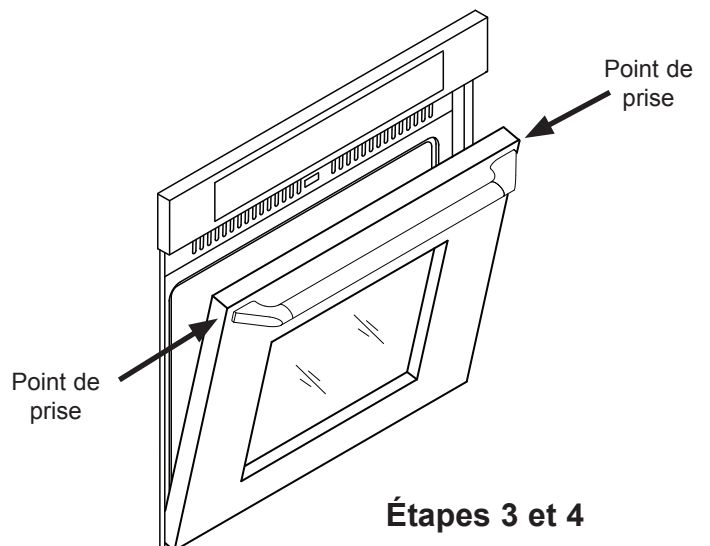
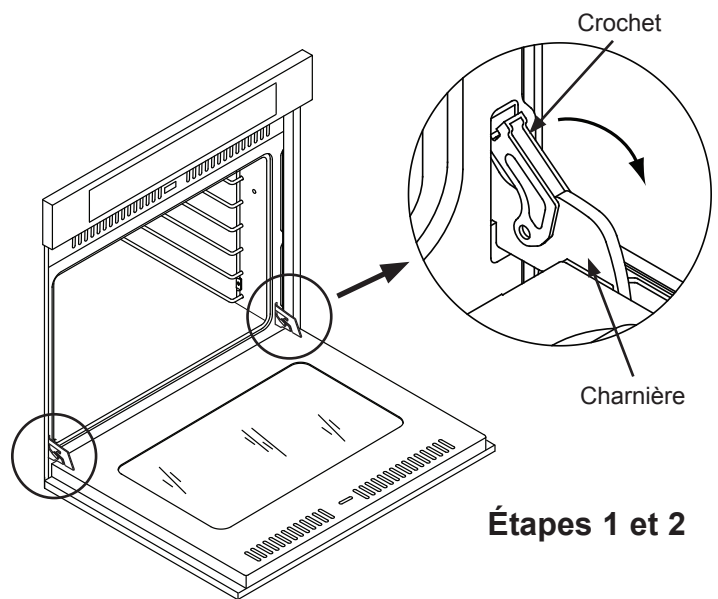
Enlever la porte pour faciliter le déplacement de la four pendant le processus d'installation :



AVERTISSEMENT

- Ne pas tenter de dégager les crochets de charnière avec la porte retirée du four. Les ressorts de charnières pourraient se libérer et causer des blessures.
- Ne transportez pas le porte par le poignée.
- Sur les fours doubles, retirer premièrement la porte du bas afin de réduire le risque de dommages.

1. Ouvrir complètement la porte.
2. Utiliser un tournevis plat pour tourner le crochet sur le bras de retenue sur les deux charnières.
3. Lever la porte du four à un angle d'environ 15 degrés de la position verticale.
4. Tenir la porte avec les deux mains juste sous la poignée. Tirer la porte vers le haut en l'éloignant du four.



Instructions d'installation

Connexion électrique

AVERTISSEMENT

- Si l'électricité fournie ne répondent pas aux spécifications du produit, ne pas procéder à l'installation. Communiquer avec un professionnel qualifié pour l'installation appropriée des services nécessaires.
- Le fait de ne pas débrancher l'alimentation avant l'installation peut entraîner un risque de choc électrique ou d'incendie.
- Ne pas ouvrir l'alimentation à l'appareil ménager avant que ce dernier ne soit bien mis à la terre selon les présentes instructions.
- L'installateur doit raccorder la borne de terre (ou borne de raccordement) sur l'appareil à un réseau de filerie métallique permanent mis à la terre ou un conducteur de mise à la terre. Ne pas le faire peut créer un risque de commotion électrique.
- Ne pas utiliser une rallonge électrique avec cet appareil. Utiliser une rallonge pourrait causer un incendie, une commotion électrique ou des blessures.
- Ne pas installer un fusible dans le circuit neutre ou de mise à la terre. Un fusible dans le circuit neutre ou de mise à la terre peut entraîner le risque d'une commotion électrique.
- L'appareil ménager doit être branché à l'alimentation à l'aide de fil de cuivre uniquement. L'utilisation de fil en aluminium peut créer des conditions insatisfaisantes.

IMPORTANT

Donner du mou dans le conduit afin de permettre au four de glisser vers l'avant pour l'entretien.

REMARQUE

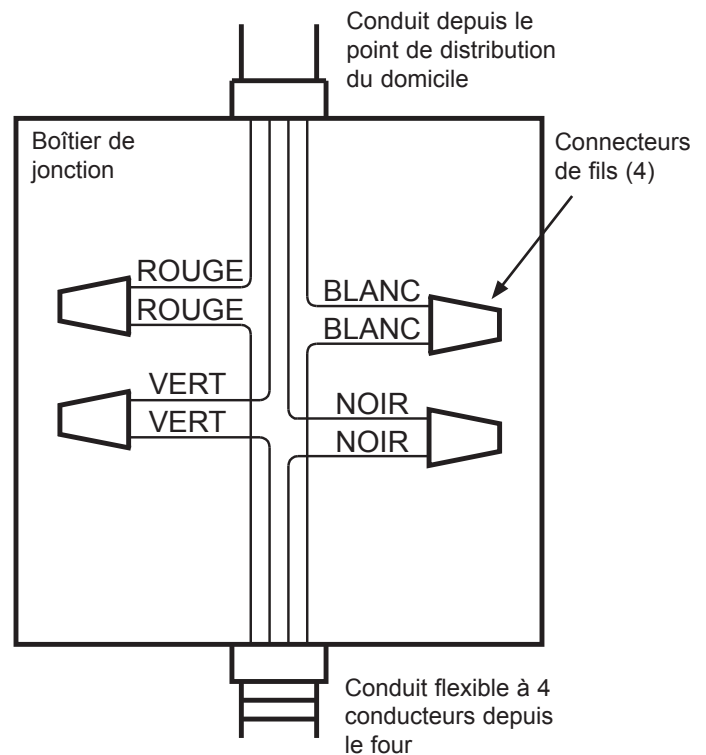
Les raccordements électriques de la conduite de l'appareil fournie peuvent être d'un calibre plus petit que le câblage standard du domicile de la conduite d'alimentation réservée. Ils répondent aux exigences du raccordement au câblage du domicile selon les attributions du National Electric Code et/ou de l'autorité de l'inspection locale.

1. Avant de poursuivre, couper l'alimentation au circuit auquel sera branché l'appareil au niveau du tableau disjoncteurs ou du coffret de fusibles.
2. Positionner le four directement devant l'entaille de l'armoire.
3. Passer la conduite de l'appareil dans la boîte de jonction électrique et le fixer à l'aide d'un réducteur de tension approuvé par l'UL.
4. Selon les codes locaux, utiliser une des trois méthodes pour brancher l'appareil à l'alimentation :
 - ◇ Brancher un système électrique à quatre fils.
 - ◇ Brancher un système électrique à trois fils, où les codes locaux le permettent.
 - ◇ Brancher un système électrique à trois fils avec une mise à la terre externe, selon les codes locaux.

Voir les instructions aux pages suivantes pour des directives détaillées.

Conduit à 4 conducteurs depuis le point de distribution du domicile

1. Séparer les fils qui sortent de la conduit de l'appareil.
2. Connecter ensemble les 2 conducteurs blancs (N) avec un connecteur de fils.
3. Connecter ensemble les 2 conducteurs noirs (L1) avec un connecteur de fils.
4. Connecter ensemble les 2 conducteurs rouges (L2) avec un connecteur de fils.
5. Connecter ensemble les 2 conducteurs vert (T) avec un connecteur de fils.



continué

Instructions d'installation

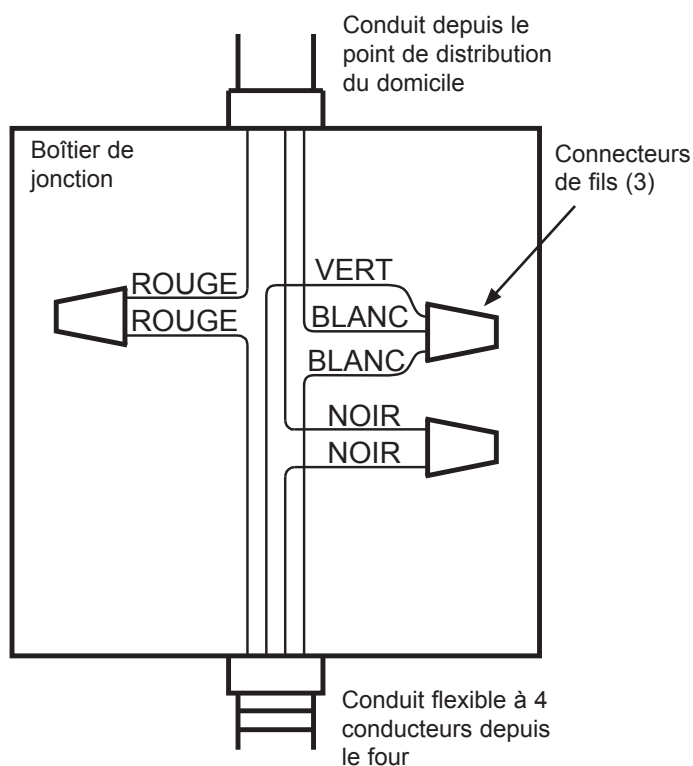
Connexion électrique - (suite)

Conduit à 3 conducteurs depuis le point de distribution du domicile - où les codes locaux le permettent

AVERTISSEMENT

Ne pas brancher le fil vert de l'appareil au fil neutre (blanc) de la boîte de jonction à moins que les codes locaux le permettent.

1. Séparer les fils qui sortent de la conduite de l'appareil.
2. Connecter les 2 conducteurs blancs (N) et le conducteur vert (T) de liaison à la terre avec un connecteur de fils.
3. Connecter ensemble les 2 conducteurs noirs (L1) avec un connecteur de fils.
4. Connecter ensemble les 2 conducteurs rouges (L2) avec un connecteur de fils.



Conduit à 3 conducteurs depuis le point de distribution du domicile avec terre externe - où les codes locaux le permettent (voir la page opposée)

AVERTISSEMENT

- Ne pas mettre à la terre l'appareil à un tuyau d'alimentation en gaz ou à un tuyau d'eau chaude.
- Au raccordement du fil de mise à la terre à un tuyau d'eau froide mis à la terre, raccorder à l'aide d'un fil de mise à la terre séparé en cuivre (no 10 minimum) et une bride avec une vis de mise à la terre externe. Le tuyau d'eau froide mis à la terre doit avoir de la continuité de métal pour la mise électrique à la terre et ne doit pas être interrompu par des matériaux isolants. Tous les matériaux isolants doivent être sautés, avec un fil de 4 AWG minimum pour établir la continuité à la mise à la terre.

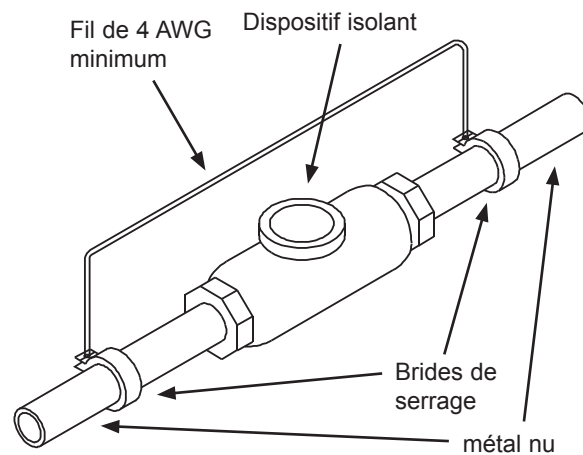
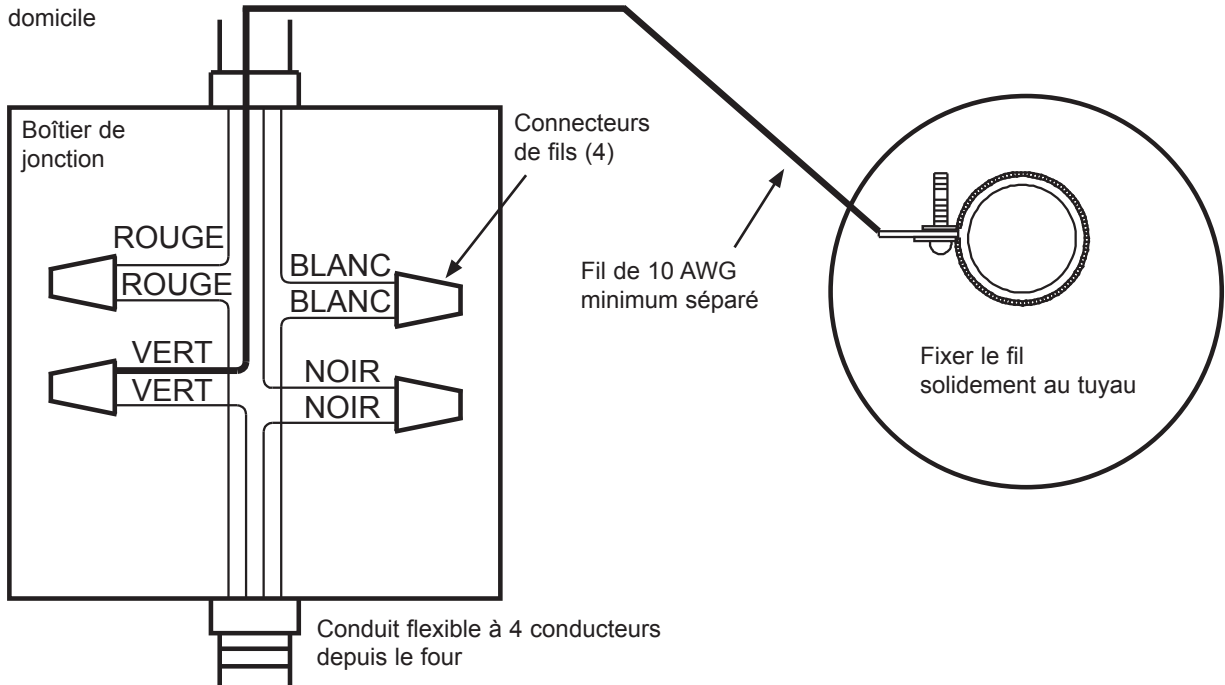
REMARQUE

Si la boîte de jonction a été correctement mise à la terre par un électricien agréé, le fil vert (mise à la terre) de la conduite de l'appareil peut être raccordé à la boîte de connexion à l'aide d'une borne en boucle.

1. Séparer les fils qui sortent de la conduite de l'appareil.
2. Connecter ensemble les 2 conducteurs blancs (N) avec un connecteur de fils.
3. Connecter ensemble les 2 conducteurs noirs (L1) avec un connecteur de fils.
4. Connecter ensemble les 2 conducteurs rouges (L2) avec un connecteur de fils.
5. Brancher le fil vert de la conduite de l'appareil à un tuyau d'eau froide mise à la terre tel qu'illustré. Sauter les matériaux isolants tel qu'illustré ci-dessus à l'aide d'un fil en cuivre no 4. Fixer solidement le fil à du métal nu aux deux bouts.

Instructions d'installation

Conduit depuis le point de distribution du domicile



Instructions d'installation

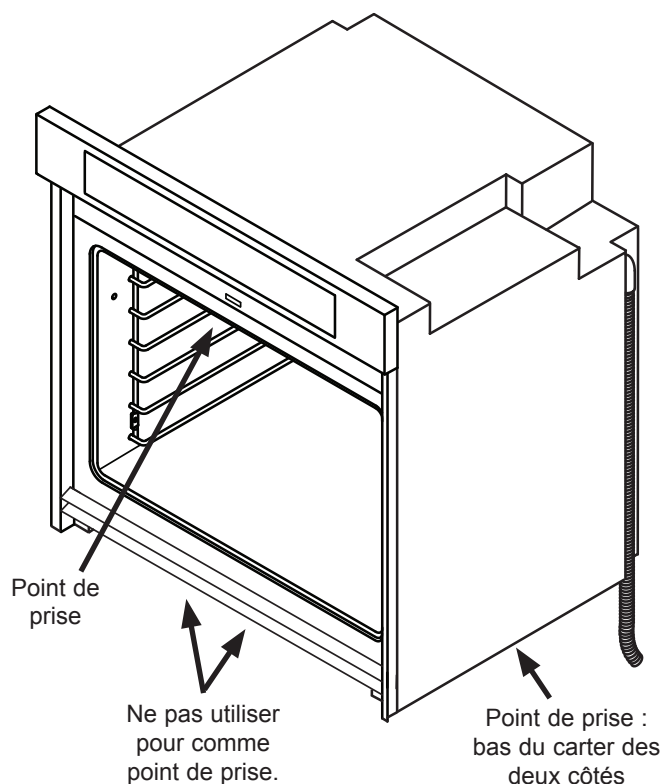
Installation du four dans l'armoire



AVERTISSEMENT

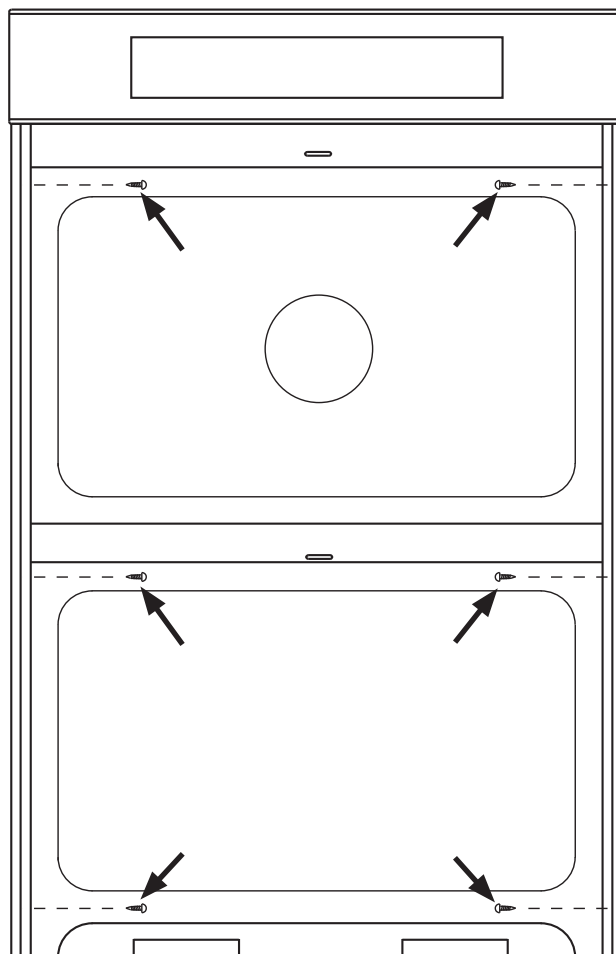
- Afin de prévenir les blessures attribuables au basculement vers l'avant de l'appareil, fixer l'appareil à l'armoire à l'aide des vis de montage fournies comme indiqué.
- Ne pas bloquer l'évacuation d'air du four situé au bas du four. Bloquer l'admission peut causer un incendie, des dommages à l'armoire ou un mauvais rendement.
- Au moins deux personnes sont requises pour l'installation sécuritaire de l'appareil ménager.

1. Lever le four encastré à l'entaille de l'armoire, en utilisant le bord supérieur de l'ouverture de la cavité et le bas du carter du four comme points de prise. S'assurer de prendre toutes les précautions de sécurité nécessaires en raison du poids de l'appareil ménager.



2. En reposant le four sur la plateforme de fixation de l'armoire, glisser le four dans la zone renforcée jusqu'à ce que le bord arrière du cadre du four soit égal au-devant de l'armoire et que le four est centré dans l'entaille. S'assurer que la conduit électrique passe par l'ouverture dans la plateforme de l'armoire ou les serpentins au-dessus du châssis du four lorsqu'on glisse le four en place. Le conduit doit être placé dans la zone renforcée située le long du bord vertical arrière du four ou enroulé au-dessus du châssis du four. Ne pas enfermer le câble de l'appareil entre le dos du carter du four et le mur arrière.

3. Situer les trous de fixation dans la garniture sur les deux côtés du four. Il y a quatre (4) trous, deux (2) trous de chaque côté, pour les modèles de four simple et six (6) trous pour les modèles de four double.
4. Utiliser un trépan de 1/16 de pouce pour percer des avant-trous dans l'armoire à travers tous les trous de fixation de la garniture.
5. Installer toutes les vis no 6 fournies à travers la garniture du four dans l'armoire pour fixer le four. Ne pas trop serrer les vis.



Vis de montage :

4 pour four simple
6 pour four double

Instructions d'installation

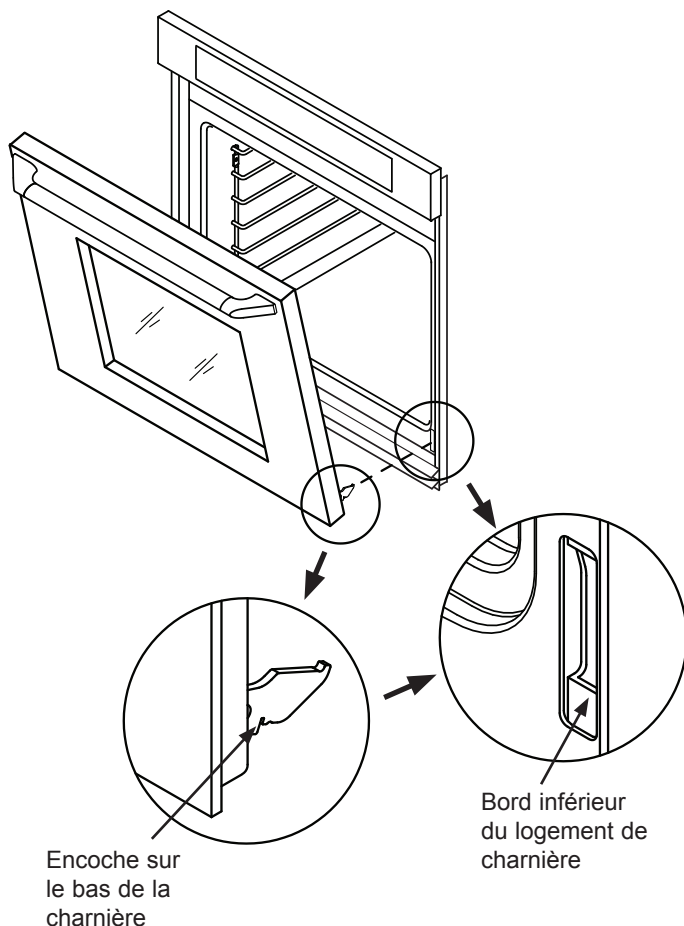
Installation de la porte

AVERTISSEMENT

Afin d'éviter les blessures ou les dommages à la porte si elle tombe des charnières :

- S'assurer que l'encoche au bas de chaque charnière repose sur la lèvre inférieure de chaque logement de charnière avant de tenter d'ouvrir la porte du four.
- Tourner les verrous de la charnière vers l'avant de l'appareil immédiatement après l'installation de la porte.
- Sur les fours doubles, installer premièrement la porte du haut afin de réduire le risque d'endommager la porte du bas pendant l'installation.

1. Saisir les côtés opposés de la porte du four et tenir la porte à un angle de 15 degrés par rapport à l'avant du four. Glisser les charnières dans les ouvertures réservées aux charnières, sur le bas des bras d'articulation des logements de charnières. Continuer de tenir la porte à un angle de 15 degrés avec une main, tout en enfonçant chaque coin du bas de la porte. Pousser jusqu'à ce que l'encoche sur le bas de chaque charnière passe par-dessus le bord inférieur de chaque logement de charnière.
2. Ouvrir complètement la porte.
3. Tourner les deux crochets de charnière vers le four.
4. Lentement et soigneusement, ouvrir et fermer complètement la porte pour vérifier qu'elle est bien installée.



Vérification du bon fonctionnement

1. Retirer le revêtement plastique de protection de l'appareil, y compris sa porte.
2. Retirer les emballages de l'intérieur du four.
3. Glisser les grilles du four sur les supports à l'intérieur des chambres de cuisson selon le manuel d'utilisation.
4. Alimenter à l'appareil au niveau du disjoncteur ou du coffret de fusibles.
5. Régler l'horloge selon le manuel d'utilisation.

REMARQUE

Pour les fours doubles, vérifier le fonctionnement du four du haut et du bas.

6. Appuyer sur la touche **BAKE** (cuisson du four) sur le tableau de commande. La température de cuisson par défaut devrait apparaître sur l'affichage.
7. Appuyer sur **START** (démarrer). Après environ trois (3) minutes, l'élément de cuisson du bas devrait luire rouge à travers le verre.
8. Appuyer sur **CANCEL/SECURE** (annuler/sécuriser).
9. Appuyer sur la touche **BROIL** (grillage) sur le tableau de commande. La température de grillage par défaut devrait apparaître sur l'affichage.
10. Appuyer sur **START** (démarrer). Après environ trois (3) minutes, l'élément de grillage du haut devrait luire rouge à travers le verre.
11. L'appareil ménager ne fonctionne pas correctement, suivre ces étapes de dépannage :
 - Vérifier que l'alimentation est en marche au niveau du tableau disjoncteurs ou du coffret de fusibles.
 - Si l'alimentation est correctement fournie, fermer l'alimentation au niveau du tableau disjoncteurs ou du coffret de fusibles et vérifier les raccordements électriques.
 - Ouvrir l'alimentation et répéter l'épreuve ci-dessus.
 - Si l'appareil ménager ne fonctionne toujours pas, communiquer avec la ligne de réparation réservée aux produits Dacor au (800) 793-0093 ex. 2822. Ne pas tenter de réparer l'appareil ménager soi-même. Si des services sont nécessaires, s'assurer d'avoir le modèle et les numéros de série en main au moment de l'appel. Voir page 19 pour connaître l'emplacement.

Instructions d'installation

Liste de vérification de l'installation



ADVERTISSEMENT

Afin de garantir une installation sécuritaire et appropriée, l'installateur devrait terminer la liste de vérification suivante afin de veiller à ce qu'aucune partie de l'installation ne soit oubliée.

- L'appareil ménager est-il installé sur une plateforme de support solide et horizontale? Voir page 22.
- L'appareil ménager est-il câblé et mis à la terre selon ces instructions et conformément à tous les codes électriques en vigueur? Les raccordements sont-ils serrés? Voir pages 20 et 25.
- L'appareil ménager est-il fixé dans l'armoire avec toutes les vis de fixation. Voir page 28.
- La porte du four est-elle bien installée conformément à ces instructions. Voir page 29.
- Le bon fonctionnement a-t-il été vérifié?
- La garantie a-t-elle été activée en ligne ou la carte de garantie a-t-elle été remplie et envoyée par la poste?

Notes

Notes

dacor
The Life of the Kitchen.®

