

MODEL / MODÈLE : PB0500SP
PART / PIÈCE : 10564, 10532



SPORTSMAN

ASSEMBLY GUIDE
GUIDE DE MONTAGE

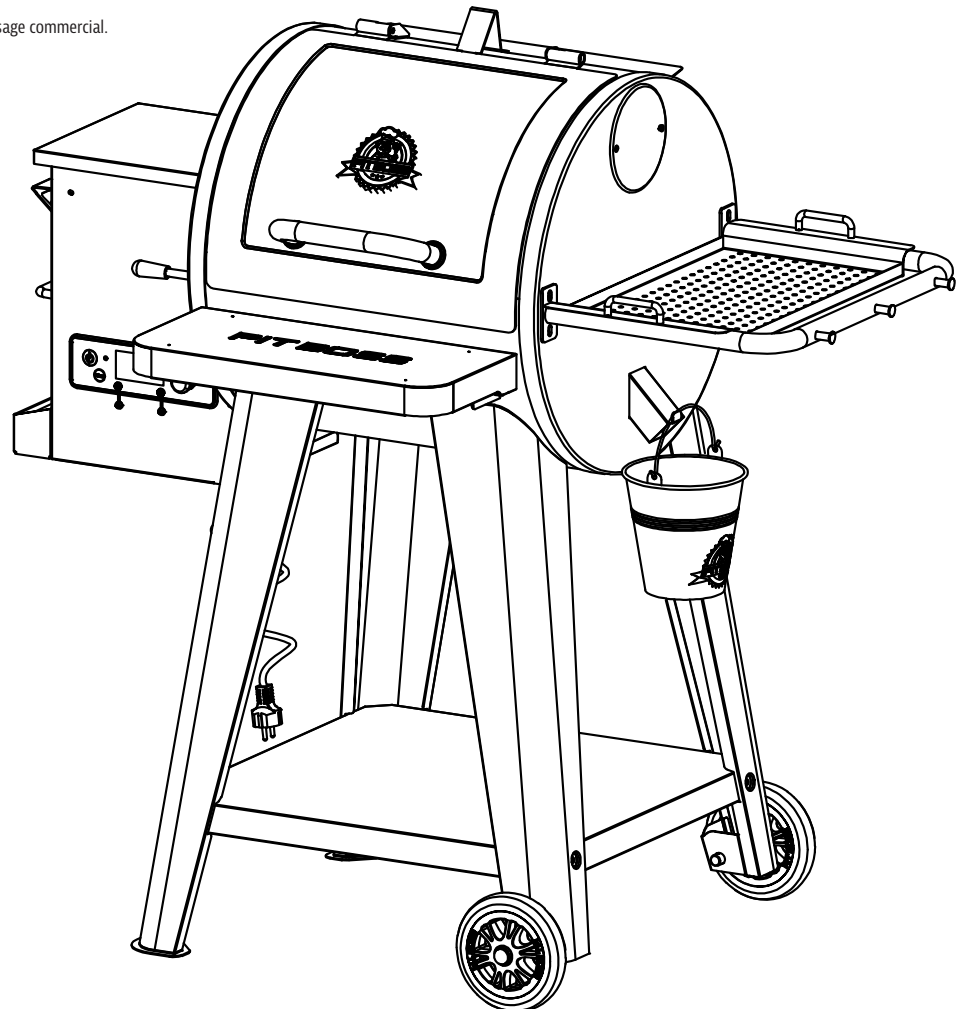
WOOD PELLET GRILL & SMOKER

IMPORTANT, READ CAREFULLY, RETAIN FOR FUTURE REFERENCE. MANUAL MUST BE READ BEFORE OPERATING!

GRIL & FUMOIR À GRANULES DE BOIS

IMPORTANT, PRENEZ CONNAISSANCE DE CE DOCUMENT ET CONSERVEZ-LE POUR RÉFÉRENCE ULTÉRIEURE. VOUS DEVEZ LIRE CE GUIDE AVANT D'UTILISER LE BARBECUE!

For outdoor and household use only. Not for commercial use.
Réservé à l'usage extérieur et résidentiel uniquement. Non destiné à un usage commercial.



WARNING: Please read the entire manual before installation and use of this electric, pellet fuel-burning appliance. Failure to follow these instructions could result in property damage, bodily injury or even death. Contact local building or fire officials about restrictions and installation inspection requirements in your area.

AVERTISSEMENT : Veuillez lire l'intégralité du manuel avant l'installation et l'utilisation de cet appareil électronique à granules. Le non-respect de ces instructions peut entraîner des dommages aux biens, des blessures ou même la mort. Communiquez avec les autorités locales en matière d'incendie et de bâtiment concernant les restrictions et les exigences d'installation dans votre région.

TABLE OF CONTENTS

ENGLISH

Parts & Specs.....	3
Assembly Preparation.....	4
Assembly Instructions	
Connecting The Wheels To The Legs.....	5
Mounting The Legs To Main Barrel	6
Installing The Bottom Shelf.....	6
Securing The Lid Stopper.....	7
Installing The Lid Handle.....	7
Installing The Spice Box, Bottle Opener.....	7
Installing The Front Shelf Brackets	8
Mounting The Front Shelf	8
Mounting Side Shelf Handle, Serving Tray.....	8
Installing The Cooking Components.....	9
Placing The Grease Bucket.....	10
Connecting To A Power Source	10



COPYRIGHT NOTICE

Copyright 2021. All right reserved. No part of this manual may be copied, transmitted, transcribed, stored in a retrieval system, in any form or by any means without expressed written permission of,

Dansons

3411 North 5th Avenue, Suite 500, Phoenix, AZ, USA 85013

www.pitboss-grills.com

Customer Care

USA: (480) 923-9630

CANADA (TOLL FREE): 1-877-942-2246

PARTS & SPECS

Part#	Description
1	Flame Broiler Slider (x1)
2	Flame Broiler Main Plate (x1)
3	Porcelain-Coated Steel Upper Cooking Rack (x1)
4	Porcelain-Coated Cast-Iron Cooking Grid (x2)
5	Lid Stopper (x1)
6	Bottle Opener (x1)
7	Spice Box (x1)
8	Main Barrel / Hopper Assembly (x1)
9	Serving Tray Handle (x2)
10	Serving Tray (x1)
11	Side Shelf Handle (x1)
12	Flame Broiler Adjusting Bar Handle (x1)
13	Flame Broiler Adjusting Bar (x1)
14	Lid Handle Bezel (x2)
15	Lid Handle (x1)
16	Wheel (x2)
17	Support Leg / Front (x1)
18	Support Leg / Back (x1)
19	Support Leg for Wheel / Front (x1)
20	Support Leg for Wheel / Back (x1)
21	Grease Bucket (x1)
22	Front Shelf Bracket / Left (x1)
23	Front Shelf Bracket / Right (x1)
24	Front Shelf (x1)
25	Bottom Shelf (x1)

Part#	Description
A	Screw (x26)
B	Washer (x26)
C	Locking Washer (x26)
D	Screw (x2)
E	Nut (x2)
F	Wheel Axle Pin (x2)
G	Wheel Washer (x2)
H	Wheel Cotter Pin (x2)
I	Screw (x2)

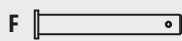
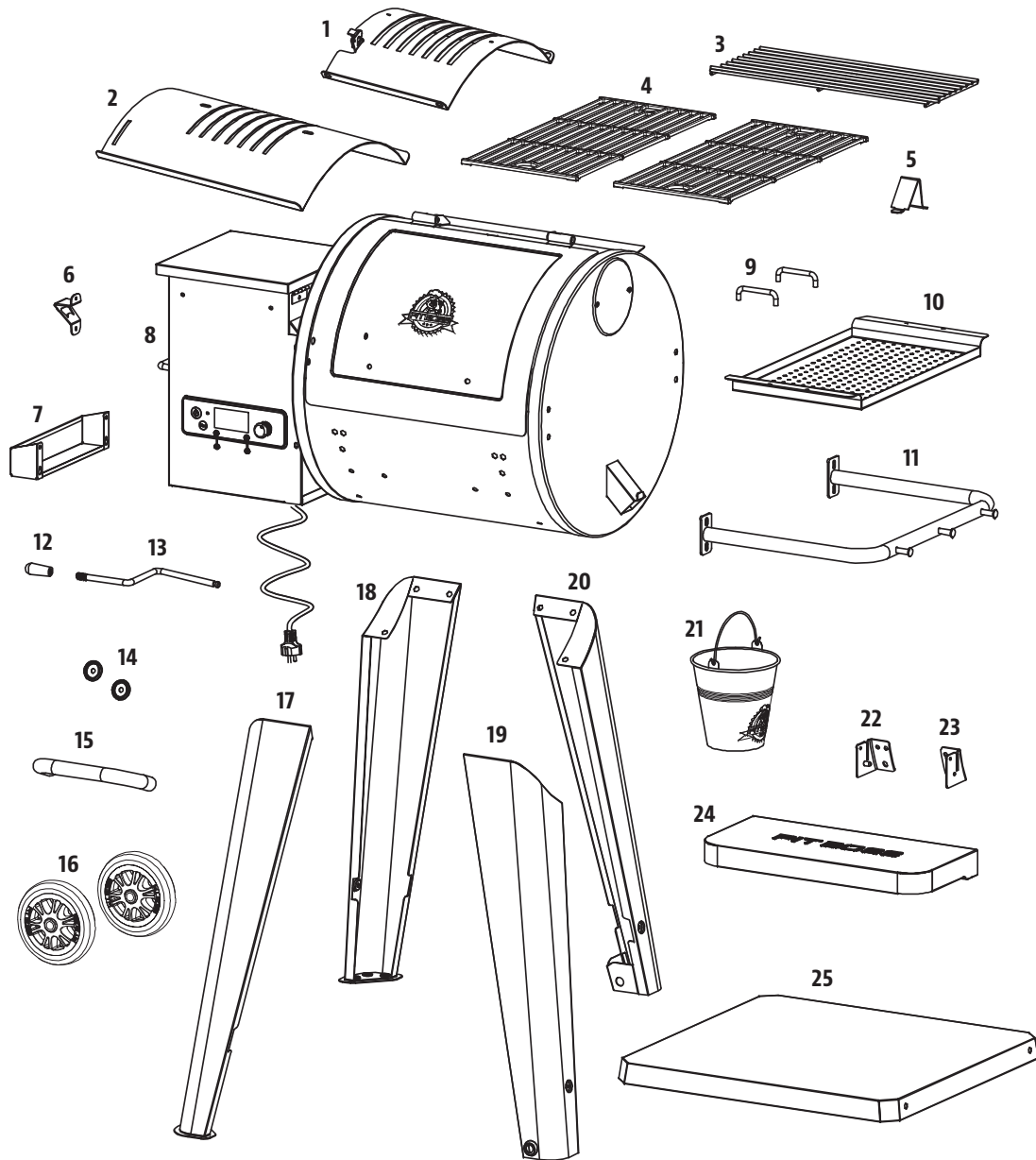
NOTE: Due to ongoing product development, parts are subject to change without notice. Contact Customer Care if parts are missing when assembling the unit.

PB – ELECTRIC REQUIREMENTS
110-120V, 60Hz, 275W, 3-PRONG GROUNDED PLUG

Diagram Illustration on next page.

MODEL	UNIT ASSEMBLED (WxHxD)	UNIT WEIGHT	COOKING AREA	TEMP. RANGE	DIGITAL FEATURES
PB PB0500SP	1,233 x 1,187 x 806 mm / 48.5 x 46.7 x 31.7 in	55.1kg / 121.4 lb	Main - 2,580 cm ² / 400.0 sq. in. Upper Rack - 918.7 cm ² / 142.4 sq. in. TOTAL - 3,499 cm² / 542.4 sq. in.	82-260°C / 180-500°F	Ten temperature presets, start-up and cool-down cycles, electric igniter

PARTS & SPECS



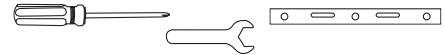
ASSEMBLY PREPARATION

Parts are located throughout the shipping carton, including underneath the grill. Inspect the grill, parts, and hardware blister pack after removing from the protective shipping carton. Discard all packaging materials from inside and outside of the grill before assembly, then review and inspect all parts by referencing the parts list. If any part is missing or damaged, do not attempt to assemble. Shipping damage is not covered under warranty. Contact your dealer or Pit Boss® Customer Care for parts.

www.pitboss-grills.com
USA: (480) 923-9630 | CANADA (TOLL FREE): 1-877-942-2246

IMPORTANT: To ease installation, using two people is helpful (but not necessary) when assembling this unit.

Tools required for assembly: screwdriver, wrench and level. *Tools not included.*



ENGLISH

ASSEMBLY INSTRUCTIONS

IMPORTANT: It is advised to read each step entirely before starting assembly on instructions. Do not tighten screws completely until all screws for that step have been installed. Hardware combination involving a locking washer and washer should be installed with the locking washer closest to the head of the screw.

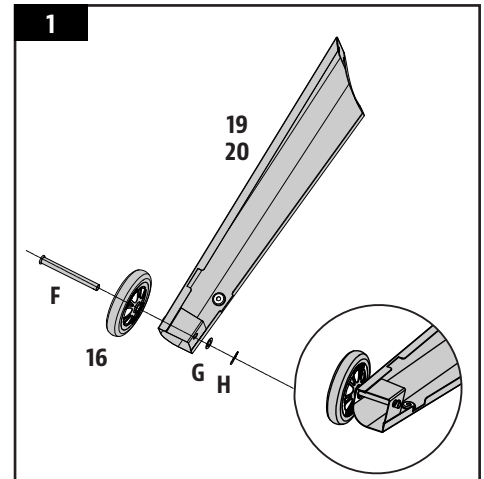
1. CONNECTING THE WHEELS TO THE LEGS

Parts Required:

- 1 x Support Leg for Wheel / Front (#19)
- 1 x Support Leg for Wheel / Back (#20)
- 2 x Wheel (#16)
- 2 x Wheel Axle Pin (#F)
- 2 x Wheel Washer (#G)
- 2 x Wheel Cotter Pin (#H)

Installation:

- Attach the Wheel to the Support Leg for Wheel by inserting the Wheel Axle Pin through the Wheel, Support Leg hole, Wheel Washer, then secure using the Wheel Cotter Pin. Repeat installation for the other Support Leg with Wheel.



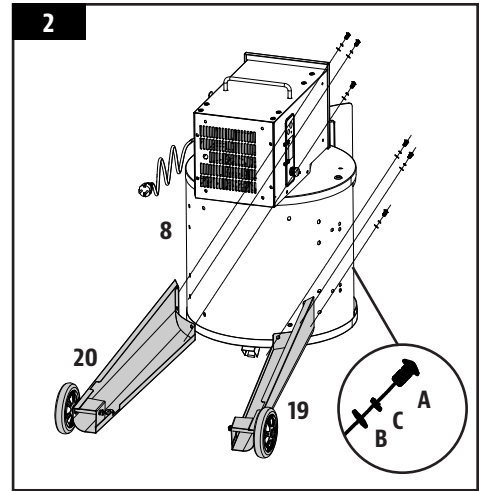
2. MOUNTING THE LEGS TO THE MAIN BARREL

Parts Required:

- 1 x Main Barrel / Hopper Assembly (#8)
- 1 x Support Leg for Wheel / Front (#19)
- 1 x Support Leg for Wheel / Back (#20)
- 6 x Screw (#A)
- 6 x Washer (#B)
- 6 x Locking Washer (#C)

Installation:

- Place a piece of cardboard on the floor to prevent scratching the unit and parts during assembly. Lay the Main Barrel on its side on the cardboard, hopper end pointed upward.
- Mount one Support Leg with Wheel to the floor end of the Main Barrel using three screws, locking washers, and washers, through the three pre-drilled holes. Install screws from the inside of the Main Barrel. Repeat installation for second Support Leg with Wheel.



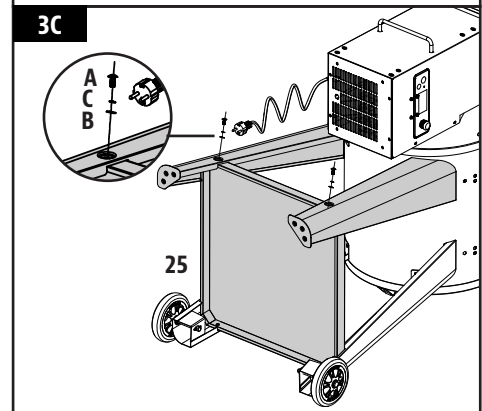
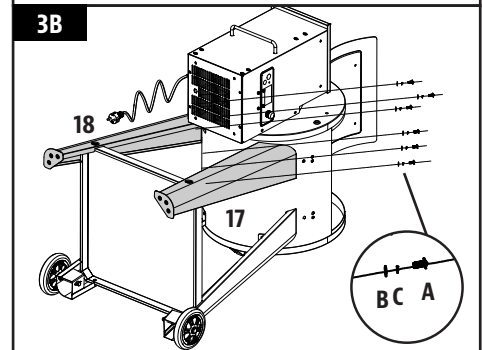
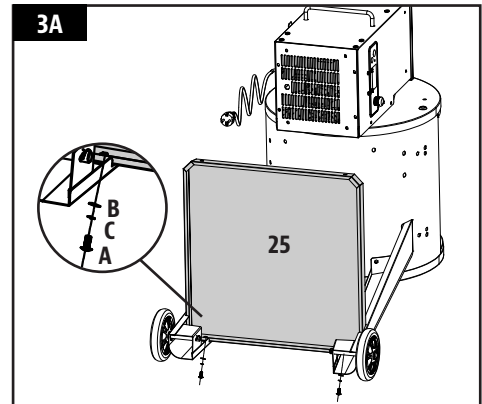
3. INSTALLING THE BOTTOM SHELF

Parts Required:

- 1 x Bottom Shelf (#25)
- 1 x Support Leg / Front (#17)
- 1 x Support Leg / Back (#18)
- 10 x Screw (#A)
- 10 x Washer (#B)
- 10 x Locking Washer (#C)

Installation:

- Mount the Bottom Shelf to each Support Leg using a screw, locking washer, and washer. Ensure the flat surface of the shelf is facing up towards the Grill Barrel. Note 3A.
- Mount on Support Leg to the hopper end of the Main Barrel using three screws, locking washers, and washers, through the three pre-drilled holes. Install screws from inside of the Main Barrel. Repeat installation for second Support Leg. Note 3B.
- Connect the Bottom Shelf to both Support Legs with the final two screws, locking washers, and washers. Note 3C. Once the shelf is secure, carefully lift the grill into an upright position.



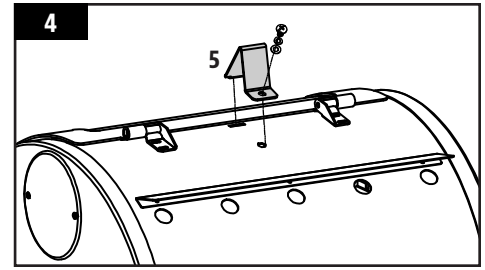
4. **SECURING THE LID STOPPER**

Parts Required:

1 x Lid Stopper (#5)

Installation:

- Secure the Lid Stopper onto the top of the Main Barrel using the pre-installed screw on top of the Main Barrel.



5. **INSTALLING THE LID HANDLE**

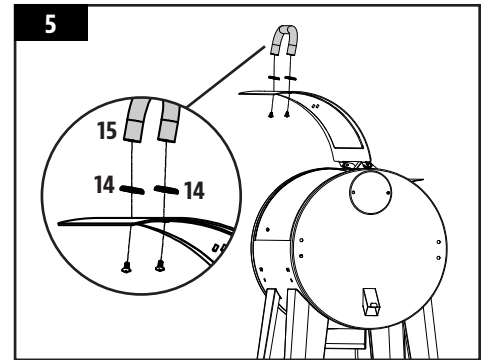
Parts Required:

2 x Lid Handle Bezel (#14)

1 x Lid Handle (#15)

Installation:

- Remove the pre-installed screws from the Lid Handle. From inside the barrel lid, insert one screw to protrude to the outside. Add a Lid Handle Bezel on the screw, then hand-tighten the screw (from the inside) into the Lid Handle. Repeat the same installation for the other end of Lid Handle.



6. **INSTALLING THE SPICE BOX, BOTTLE OPENER**

Parts Required:

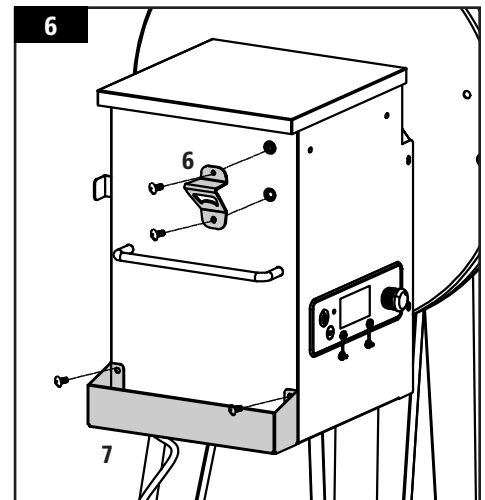
1 x Spice Box (#7)

1 x Bottle Opener (#6)

2 x Screw (#D)

Installation:

- Align and place the Spice Box onto the bottom two screws on the side of the Hopper, below the hopper handle. Push down into place, then install two top screws to secure the Spice Box onto the Hopper.
- Remove the two pre-mounted screws for the Bottle Opener on the side of the Hopper, above the hopper handle. Install the Bottle Opener in the same location using the two screws previously removed.



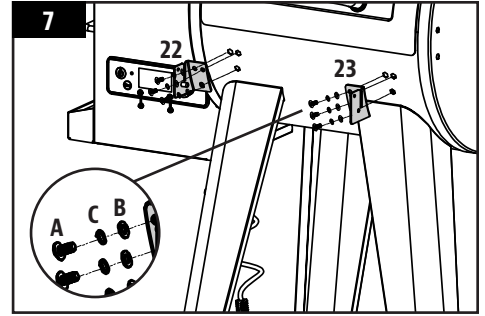
7. INSTALLING THE FRONT SHELF BRACKETS

Parts Required:

- 1 x Front Shelf Bracket / Left (#22)
- 1 x Front Shelf Bracket / Right (#23)
- 6 x Screw (#A)
- 6 x Washer (#B)
- 6 x Locking Washer (#C)

Installation:

- Attach one Front Shelf Bracket to the front of the Grill Barrel by using three screws. Install each screw half-way, then tighten completely when all three screws are mounted and aligned properly. Repeat the same installation for the other Front Shelf Bracket.



8. MOUNTING THE FRONT SHELF

Parts Required:

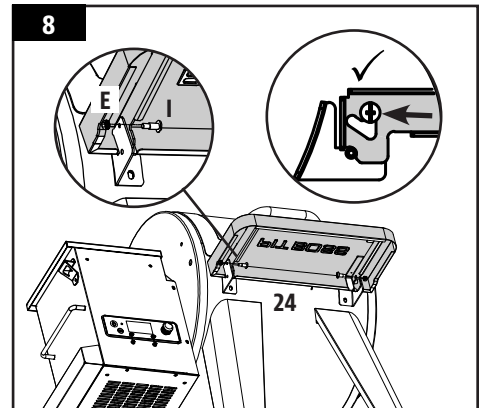
- 1 x Front Shelf (#24)
- 2 x Screw (#I)
- 2 x Nut (#E)

Installation:

- From underneath, insert the screw (from the inside) into the Front Shelf and the Front Shelf Bracket, then lock it with a nut. Repeat installation for the other side of the Front Shelf.

NOTE: When installed correctly, the Front Shelf can be raised (for use) or lowered (for storage) with ease.

IMPORTANT: Avoid using the shelves to move or lift the grill. The weight of the unit will cause the shelves to break, which is not covered by warranty.



9. MOUNTING THE SIDE SHELF HANDLE, SERVING TRAY

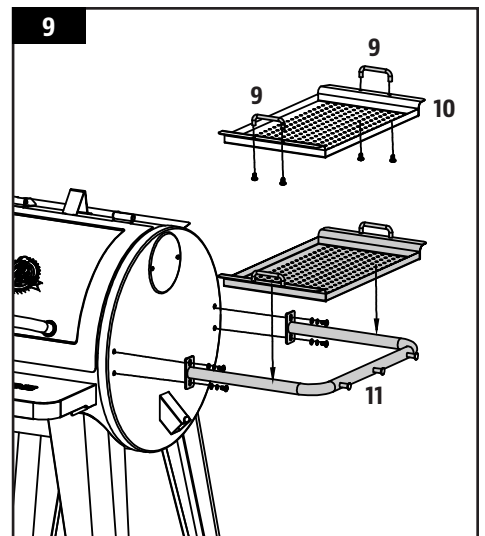
Parts Required:

- 2 x Serving Tray Handle (#9)
- 1 x Serving Tray (#10)
- 1 x Side Shelf Handle (#11)
- 4 x Screw (#A)
- 4 x Locking Washer (#C)
- 4 x Washer (#B)

Installation:

- Mount the Side Shelf Handle onto the Main Barrel using four screws, locking washers, and washers.
- Mount the Serving Tray Handles onto the Serving Tray using the two pre-installed screws on each handle. Place the Serving Tray onto the Side Shelf Handle. It will rest directly on the frame of the Side Shelf Handle.

IMPORTANT: Avoid using the side shelf handle to move or lift the grill. The weight of the unit will cause the side shelf handle to bend or break, which is not covered by warranty.



10. INSTALLING THE COOKING COMPONENTS

Parts Required:

- 1 x Flame Broiler Slider (#1)
- 1 x Flame Broiler Main Plate (#2)
- 1 x Flame Broiler Adjusting Bar Handle (#12)
- 1 x Flame Broiler Adjusting Bar (#13)
- 1 x Upper Cooking Rack (#3)
- 2 x Cooking Grids (#4)

Installation:

NOTE: Both flame broiler parts are lightly coated with oil to avoid rusting when shipped.

- Insert the flame broiler main plate into the main grill, right side first. Rest the flame broiler main plate on the built-in ledge (on the inside right) of the main grill that directs grease towards the grease bucket. Slide the entire piece to the left side, and the two slots on the flame broiler main plate will fit into the rounded ledge above the fire pot. It will sit slightly at a downward angle. Note 10A.

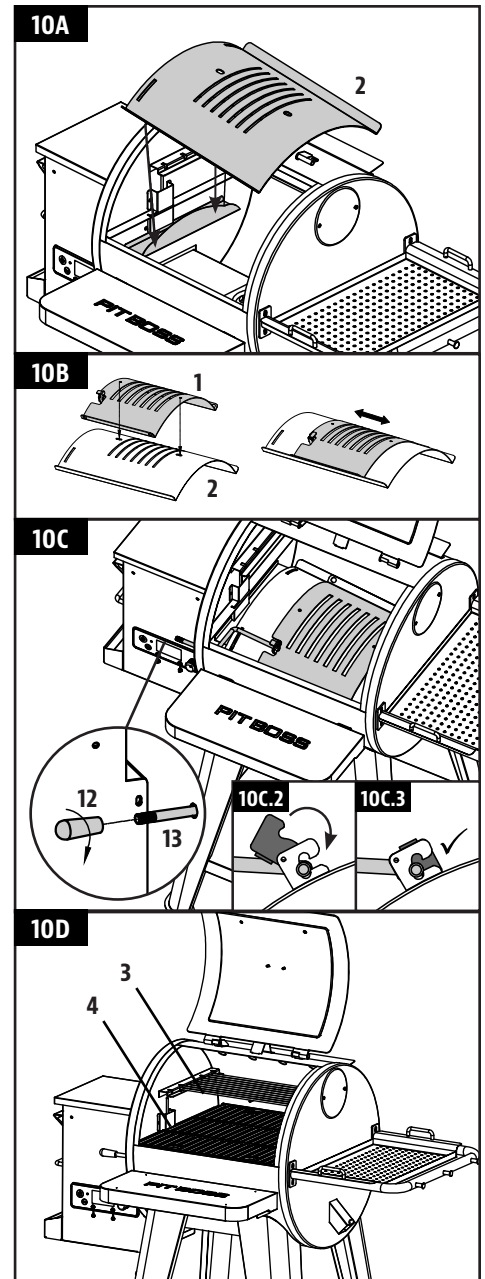
IMPORTANT: If the flame broiler main plate is on the base of the barrel, it is installed incorrectly. The flame broiler should sit at an angle, with the left side sitting higher than the right.

- Place the flame broiler slider on top of the flame broiler main plate, covering the slotted openings. Ensure the raised tab is on the left. Note 10B.
- First, remove the flame broiler adjusting bar handle from the flame broiler adjusting bar. Insert the flame broiler adjusting bar through the opening hole on the left side of the main barrel. Add the flame broiler adjusting bar handle back onto the end outside the barrel. Next, slide the notched end of the adjusting bar into the locking tab on the flame broiler slider, giving you adjustable access to the flame broiler slider on the main plate. Note steps in 10C.

NOTE: When the flame broiler slider is open and direct flame is used during cooking, do not leave the grill unattended for any period of time.

- Place the cooking grids, side-by-side, on the grid ledges inside the main barrel. Place the upper cooking rack on the upper ledge inside the main barrel. The cooking rack will lock into place. Note 10D.

NOTE: To maintain the searing and grilling performance of your cooking grids, regular care and maintenance is required.



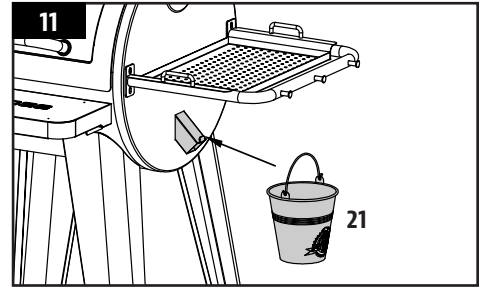
11. PLACING THE GREASE BUCKET

Parts Required:

- 1 x Grease Bucket (#21)

Installation:

- Place the grease bucket on the spout hook on the end of the main barrel. Ensure it is level to avoid grease spills.
- The unit is now completely assembled.



12. CONNECTING TO A POWER SOURCE

NOTE: Before plugging your Pit Boss® into any electrical outlet, ensure the temperature dial is in the OFF position.

STANDARD OUTLET

This appliance requires 110-120 volt, 60Hz, 275w service. It must be a 3-prong grounded plug. Ensure grounded end is not broken off before use. The control uses a 110-120 volt, fast-blow fuse to protect the board from the igniter.

GFCI OUTLETS

This appliance will work on most GFCI outlets, with a recommended size of 15 amp service. If your GFCI outlet is highly sensitive to power surges, it will likely trip during the start-up phase of operation. During the start-up phase, the igniter draws 200-700 watts of electricity, which can be too much power for a GFCI outlet to handle. Each time it trips, it increases in sensitivity. If the GFCI keeps tripping, replace the outlet or change to a non-GFCI outlet.

ON THE ROAD

Disconnect the igniter from the main wiring harness. Use the manual start-up procedure. A Pit Boss® unit can operate using a 12 volt, 100 watt inverter plugged into your automobile outlet. To use the automatic igniter, it is recommended to use a minimum of a 1000 watt inverter.

IMPORTANT: Disconnect unit from power source when not in use.

Refer to Owner's Manual for Operating Instructions.

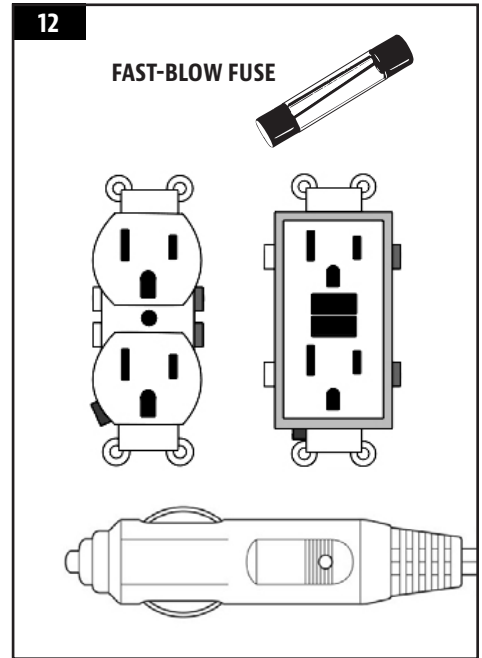


TABLE DES MATIÈRES

Pièces et spécifications	12
Préparation de l'assemblage	14
Instructions d'assemblage	
Montage des roues aux pieds de supports	14
Montage des pieds de supports au baril principal	15
Installation de l'étagère inférieure	15
Fixation du bouchon du couvercle	16
Montage de la poignée du couvercle	16
Installation de la boîte à épices / ouvre-bouteille	16
Installer les supports de la tablette avant	16
Installer la tablette avant	17
Montage de la poignée de la tablette latérale, plateau de service	17
Installer les composants de cuisson	18
Placer le seau à graisse	19
Connexion à une source d'alimentation	19



AVIS SUR LES DROITS D'AUTEUR

Droit d'auteur 2021. Tous droits réservés. Nulle partie de ce manuel ne peut être reproduite, transmises, transcrite ou stockée dans un système de recherche de quelque façon que ce soit sans l'autorisation préalable écrite de,

Dansons

3411 North 5th Avenue, Suite 500, Phoenix, AZ, USA 85013

www.pitboss-grills.com

Service client

ÉTATS-UNIS: (480) 923-9630

CANADA (SANS FRAIS): 1-877-942-2246

PIÈCES ET SPÉCIFICATIONS

No.	Description des pièces
1	Glissière de la chaudière (x1)
2	Plateau principal de la chaudière (x1)
3	Grille de cuisson supérieure en acier recouvert de porcelaine (x1)
4	Grille de cuisson en fonte recouverte de porcelaine (x2)
5	Bouchon de couvercle (x1)
6	Ouvre-bouteille (x1)
7	Boîte à épices (x1)
8	Baril principal / assemblage de la trémie (x1)
9	Poignée du plateau (x2)
10	Plateau (x1)
11	Poignée de la tablette latérale (x1)
12	Poignée de la barre de réglage pour chaudière (x1)
13	Barre de réglage pour chaudière (x1)
14	Cadran de la poignée du couvercle (x2)
15	Poignée du couvercle (x1)
16	Roue (x2)
17	Pied de support / avant (x1)
18	Pied de support / dos (x1)
19	Pied de support pour roue / avant (x1)
20	Pied de support pour roue / dos (x1)
21	Seau de graisse (x1)
22	Support pour tablette avant / gauche (x1)
23	Support pour tablette avant / droite (x1)
24	Tablette avant (x1)
25	Étagère inférieure (x1)

No.	Description des pièces
A	Vis (x26)
B	Rondelle (x26)
C	Rondelle de verrouillage (x26)
D	Vis (x2)
E	Écrou (x2)
F	Goupille fendue de la roue (x2)
G	Rondelle de l'essieu des roues (x2)
H	Goupille de l'essieu des roues (x2)
I	Vis (x2)

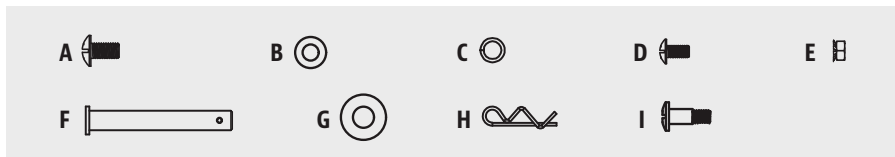
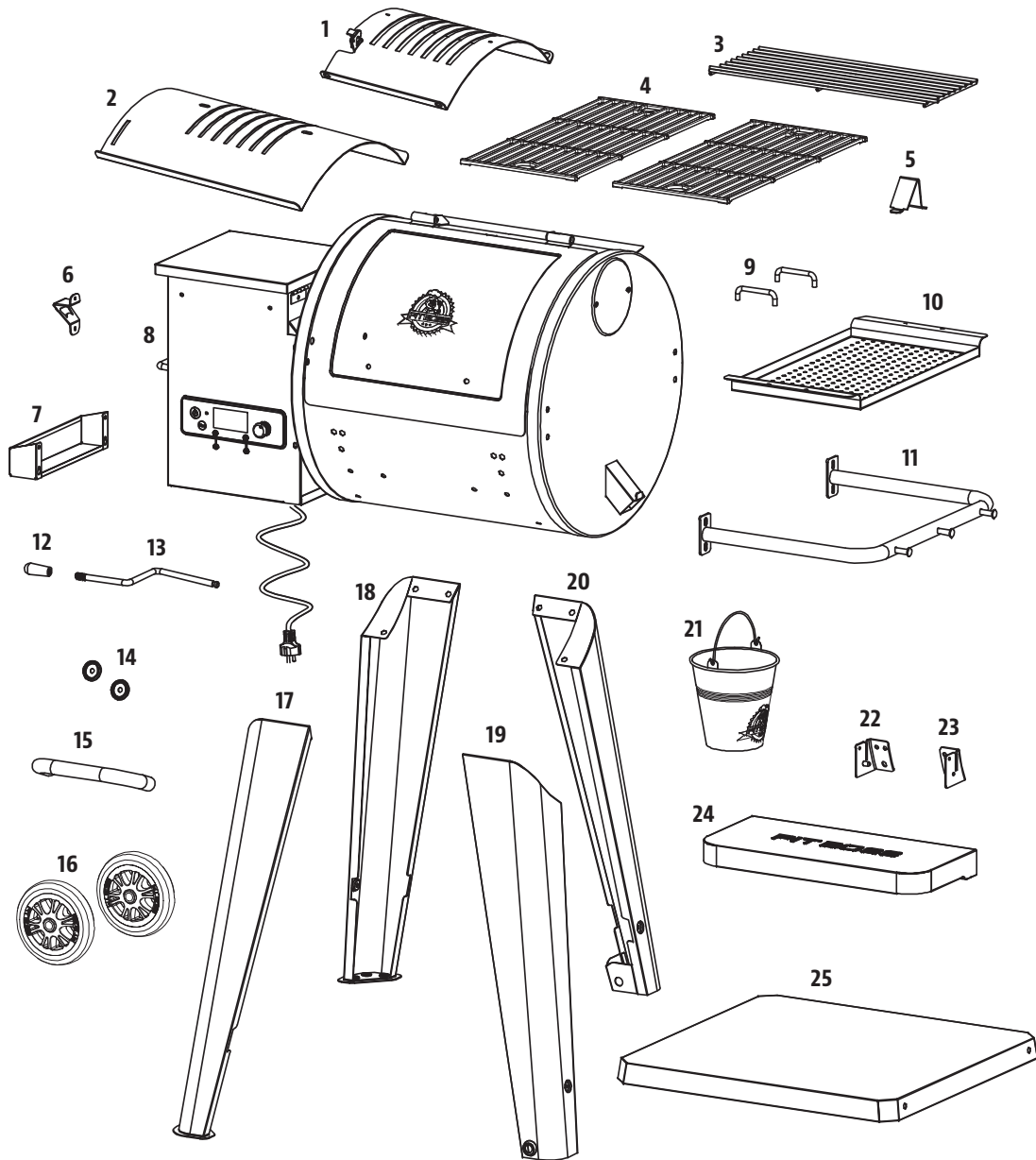
REMARQUE : En raison du développement continu du produit, les pièces peuvent être modifiées sans préavis. Contactez le service clientèle si des pièces manquent lors de l'assemblage de l'appareil.

PB – EXIGENCES ÉLECTRIQUES
110-120V, 60Hz, 275W, FICHE À 3 BROCHES MISE À LA TERRE

Illustration du diagramme à la page suivante.

MODÈLE	UNITÉ ASSEMBLÉE (WXHxD)	POIDS DE L'UNITÉ	SURFACE DE CUISSON	GAMME DE TEMPÉRATURES	CARACTÉRISTIQUES NUMÉRIQUES
PB PB0500SP	1 233 x 1 187 x 806 mm / 48,5 x 46,7 x 31,7 po	55,1 kg / 121,4 lb	Principale - 2 580 cm ² / 400,0 po ² Grille supérieure - 918,7 cm ² / 142,4 po ² TOTAL - 3 499 cm² / 542,4 po²	82-260 °C / 180-500 °F	Dix réglages de température, cycles de démarrage et de refroidissement, allumage électrique

PIÈCES ET SPÉCIFICATIONS



PRÉPARATION DE L'ASSEMBLAGE

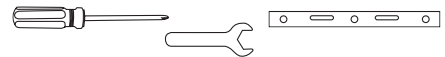
Les pièces sont situées dans tout le carton d'expédition, y compris sous le gril. Inspectez la grille, les pièces et l'emballage de matériel après avoir retiré de l'emballage de protection en carton. Avant l'assemblage du produit, examinez toutes les pièces et référez-vous à la liste des pièces. En cas de pièce manquante ou endommagée, ne tentez pas d'assembler. Les dommages lors de l'expédition ne sont pas couverts par la garantie. Contactez votre revendeur ou le service à la clientèle de Pit Boss pour les pièces.

www.pitboss-grills.com

ÉTATS-UNIS: (480) 923-9630 | CANADA (SANS FRAIS): 1-877-942-2246

IMPORTANT : Pour faciliter l'installation, être deux personnes est utile (mais pas nécessaire) lors de l'assemblage de cette unité.

Outils nécessaires pour l'assemblage : tournevis, clé et niveau d'eau. *Outils non inclus.*



INSTRUCTIONS D'ASSEMBLAGE

REMARQUE : Pour toutes les étapes suivantes, ne pas serrer complètement les vis jusqu'à ce que toutes les vis de cette étape aient été installées. Une fois toutes les vis installées, serrez-les correctement. La combinaison de matériel impliquant une rondelle et une rondelle de blocage doit être installée avec la rondelle de verrouillage la plus proche de la tête de la vis.

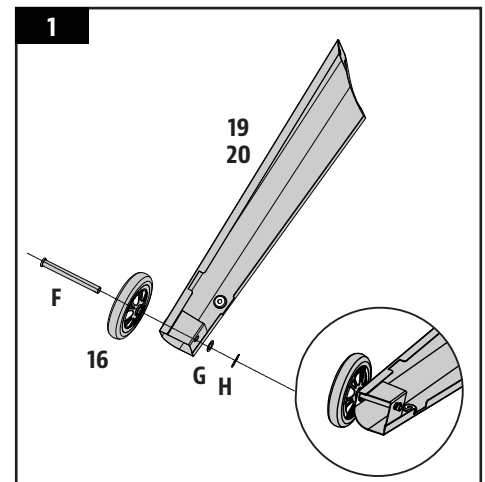
1. MONTAGE DES ROUES AUX PIEDS DE SUPPORTS

Pièces nécessaires :

- 1 x pied de support avec roue (# 19)
- 1 x pied de support avec roue (# 20)
- 2 x roue (# 16)
- 2 x goupille fendue de la roue (# F)
- 2 x rondelle de l'essieu des roues (# G)
- 2 x goupille de l'essieu des roues (# H)

Installation :

- Fixez la roue au pied de support avec roue en insérant la goupille de l'essieu des roues à travers la roue, le pied de support, la rondelle de l'essieu des roues, puis fixez le tout en utilisant la goupille fendue de la roue. Suivez les mêmes instructions pour l'installation de l'autre roue et pied de support avec roue.



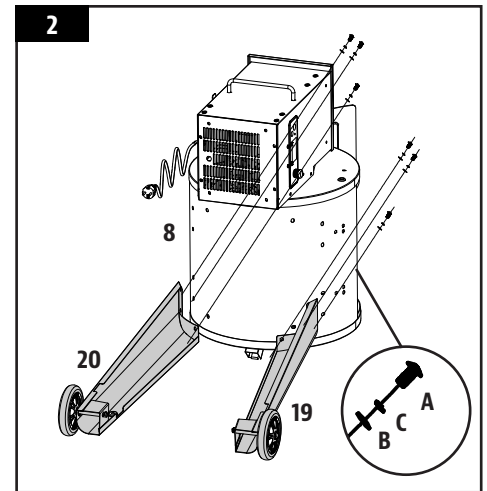
2. MONTAGE DES PIEDS DE SUPPORTS AU BARIL PRINCIPAL

Pièces nécessaires :

- 1 x baril principal / assemblage de la trémie (# 8)
- 1 x pied de support pour roue / avant (# 19)
- 1 x pied de support pour roue / dos (# 20)
- 6 x vis (# A)
- 6 x rondelle de blocage (# C)
- 6 x rondelle (# B)

Installation :

- Placez un morceau de carton sur le sol pour éviter de rayer l'appareil. Posez le baril principal sur le côté sur le carton, la trémie pointant vers le haut.
- Montez un pied de support avec roue à l'extrémité côté sol du baril principal à l'aide de trois vis, de rondelles de blocage et de rondelles, à travers les trois trous pré-perçés. Installez les vis de l'intérieur du baril principal. Répétez l'installation pour la deuxième pied de support avec roue.



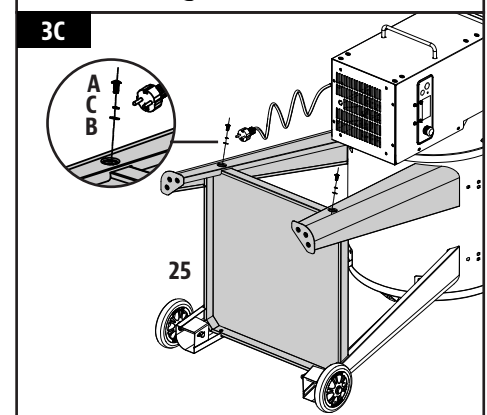
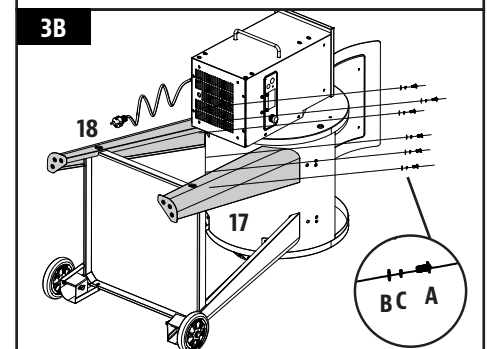
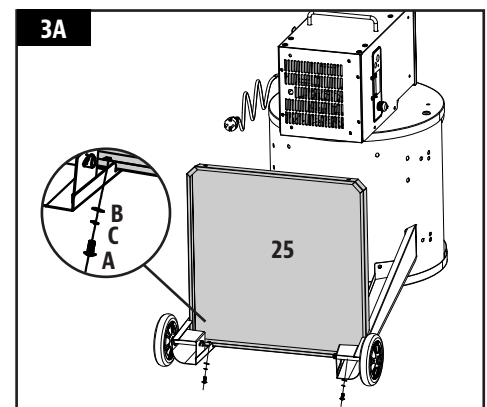
3. INSTALLATION DE L'ÉTAGÈRE INFÉRIEURE

Pièces nécessaires :

- 1 x étagère inférieure (# 25)
- 1 x pied de support / avant (# 17)
- 1 x pied de support / dos (# 18)
- 10 x vis (# A)
- 10 x rondelle de blocage (# C)
- 10 x rondelle (# B)

Installation :

- Fixer l'étagère inférieure sur chaque pied de support avec roue à l'aide d'une vis, d'une rondelle de blocage et d'une rondelle. Assurez-vous que la surface plane de la tablette est orientée vers le haut du baril du grill. Note 3A.
- Montez un pied de support sur l'extrémité de la trémie du baril principal à l'aide de trois vis, rondelles de blocage et rondelles, à travers les trois trous pré-perçés. Installez les vis de l'intérieur du baril principal. Répétez l'installation pour la deuxième pied de support. Note 3B.
- Fixer l'étagère inférieure aux deux pieds de supports avec les deux dernières vis, les rondelles de blocage et les rondelles. Note 3C. Une fois que l'étagère est bien fixée, soulevez soigneusement le grill dans une position verticale.



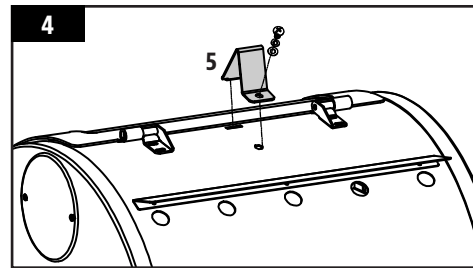
4. FIXATION DU BOUCHON DU COUVERCLE

Pièces nécessaires :

- 1 x bouchon de couvercle (# 5)

Installation :

- Fixez le bouchon du couvercle sur le dessus du barillet principal en utilisant la vis préinstallée sur le dessus.



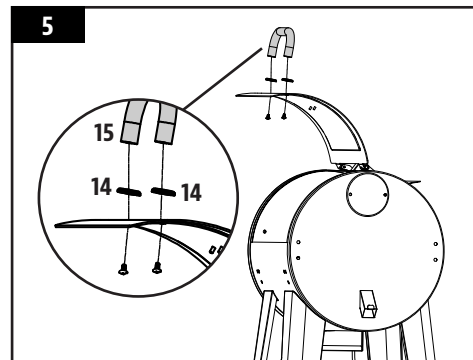
5. MONTAGE DE LA POIGNÉE DU COUVERCLE

Pièces nécessaires :

- 2 x cadran de la poignée du couvercle (# 14)
1 x poignée de couvercle (# 15)

Installation :

- Retirez les vis préinstallées de la poignée du couvercle. De l'intérieur du couvercle du baril, insérez une vis pour la faire sortir vers l'extérieur. Ajoutez un cadran sur la vis, puis serrez à la main la vis (de l'intérieur) dans la poignée du couvercle. Répétez cette étape pour l'autre extrémité de la poignée.



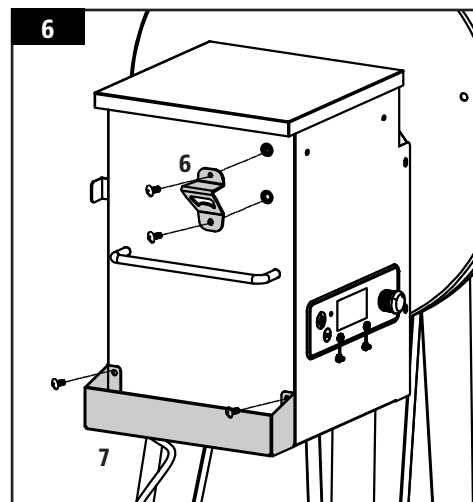
6. INSTALLATION DE LA BOÎTE À ÉPICES / OUVRE-BOUTEILLE

Pièces nécessaires :

- 1 x boîte à épices (# 7)
1 x ouvre-bouteille (# 6)
2 x vis (# D)

Installation :

- Alignez et accrochez la boîte à épices sur les deux vis inférieures sur le côté de la trémie, sous la poignée de la trémie. Poussez vers le bas, puis installez deux vis supérieures pour fixer la boîte à épices sur la trémie.
- Retirez les deux vis prémontées de l'ouvre-bouteille sur le côté de la trémie, au-dessus de la poignée de la trémie. Installez l'ouvre-bouteille au même endroit à l'aide des deux vis retirées précédemment.



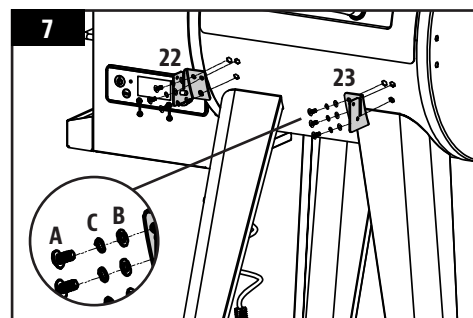
7. INSTALLER LES SUPPORTS DE LA TABLETTE AVANT

Pièces nécessaires :

- 1 x support pour tablette avant / gauche (# 22)
1 x support pour tablette avant / droite (# 23)
6 x vis (#A)
6 x rondelle (#B)
6 x rondelle de blocage (#C)

Installation :

- Attachez l'un des supports pour tablette avant à l'avant du baril du gril à l'aide de trois vis, de rondelles de blocage et les rondelles. Installez chaque vis à mi-chemin, puis serrez complètement lorsque les trois vis sont correctement montées et alignées. Répétez la même installation pour l'autre support pour tablette avant.



8. INSTALLER LA TABLETTE AVANT

Pièces nécessaires :

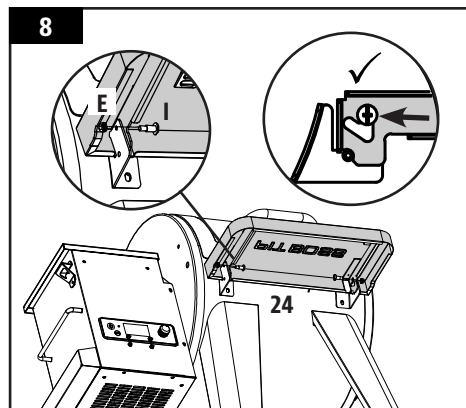
- 1 x tablette avant (# 24)
- 2 x vis (# I)
- 2 x écrou (# E)

Installation :

- À partir du dessous, insérez la vis (de l'intérieur) dans la tablette avant et ensuite le support pour tablette avant, puis verrouillez-le avec l'écrou. Suivez les mêmes instructions pour l'installation de l'autre côté de la tablette avant.

REMARQUE : Lorsqu'elle est installée correctement, la tablette avant peut être soulevée (pour une utilisation) et abaissée (pour un entreposage) avec aisance.

IMPORTANT : Évitez d'utiliser les étagères pour déplacer ou soulever le gril. Le poids de l'unité entraînera une rupture des étagères, qui n'est pas couverte par la garantie.



9. MONTAGE DE LA POIGNÉE DE LA TABLETTE LATÉRALE, PLATEAU DE SERVICE

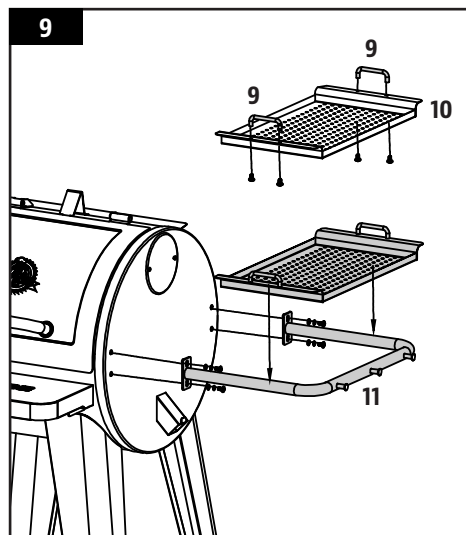
Pièces nécessaires :

- 2 x poignée de la tablette latérale (# 9)
- 1 x plateau (# 10)
- 1 x poignée du plateau (# 11)
- 4 x vis (# A)
- 4 x rondelle (# B)
- 4 x rondelle de blocage (# C)

Installation :

- Fixer la poignée de la tablette latérale sur le baril principal avec quatre vis, des rondelles de blocage et des rondelles.
- Montez la poignée du plateau sur le plateau à l'aide de les deux vis préinstallées à chaque poignée. Placez le plateau de service sur la poignée de la tablette latérale. Il reposera directement sur le cadre de la poignée de la tablette latérale.

IMPORTANT : Évitez d'utiliser la poignée d'étagère latérale pour déplacer ou soulever le gril. Le poids de l'unité entraînera une courbure ou une rupture de la poignée d'étagère latérale, qui n'est pas couverte par la garantie.



10. INSTALLER LES COMPOSANTS DE CUISSON

Pièces nécessaires :

- 1 x glissière de la chaudière (# 1)
- 1 x plateau principal de la chaudière (# 2)
- 1 x poignée de la barre de réglage pour chaudière (# 12)
- 1 x barre de réglage pour chaudière (# 13)
- 1 x grille de cuisson supérieure (# 3)
- 2 x grilles de cuisson (# 4)

Installation :

REMARQUE : Les deux pièces de flamme sont légèrement recouvertes d'huile pour éviter la rouille lorsqu'elles sont expédiées.

- Insérez la plaque principale de la chaudière dans le gril principal, côté droit en premier. Reposez la plaque principale de la chaudière sur le rebord intégré (à l'intérieur à droite) du gril principal qui dirige la graisse vers le seau à graisse. Faites glisser la pièce entière sur le côté gauche, et les deux fentes de la plaque principale de la chaudière vont entrer dans le rebord arrondi au-dessus du pot de combustion. Il se placera légèrement incliné vers le bas. Note illustration 10A.

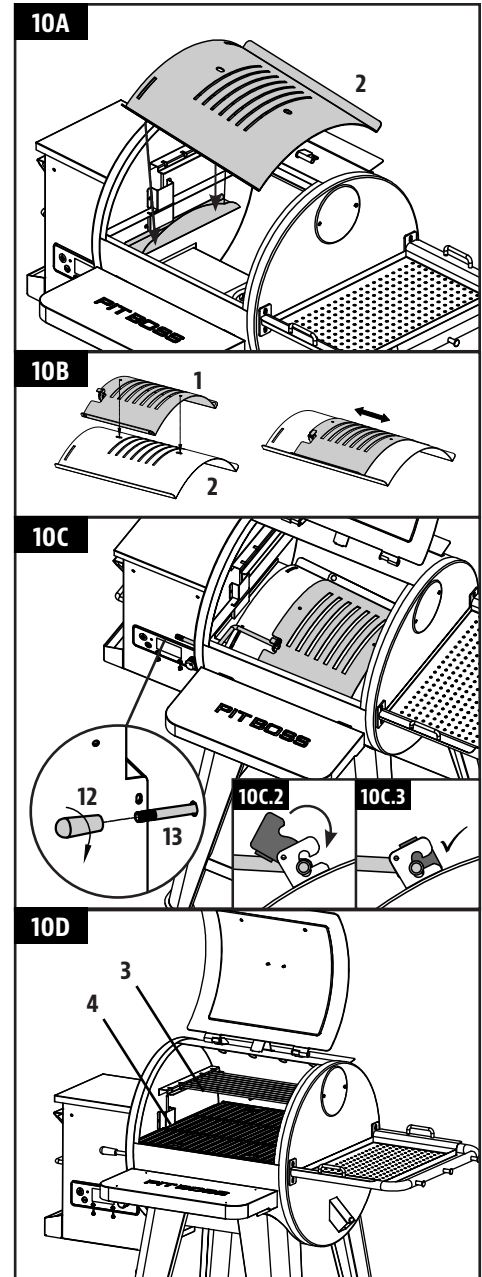
IMPORTANT : Si la chaudière plateau principal est à la base de la gril principal, elle est installée de manière incorrecte. Le gril à flamme doit être incliné, le côté gauche étant plus haut que le côté droit.

- Placez la glissière de la chaudière sur la plaque principale de la chaudières, couvrant les ouvertures à fentes. Assurez-vous que la patte surélevée est sur la gauche, pour ajuster facilement les flammes directes ou indirectes lors de la cuisson. Note illustration 10B.
- Commencez par retirer la poignée de la barre de réglage pour chaudière. Insérez la barre de réglage pour chaudière dans le trou d'ouverture situé sur le côté gauche du gril principal. Ajoutez la poignée de la barre de réglage pour chaudière à son extrémité extérieur du gril principal. Ensuite, glissez l'extrémité encochée de la barre de réglage pour chaudière dans la patte de verrouillage du glissière de la chaudière, ce qui vous permettra un accès réglable au glissière de la chaudière de la plateau principal de la chaudière. Notez les étapes dans 10C.

REMARQUE : Lorsque la glissière de la chaudière est ouverte, et que la flamme directe est utilisée pendant la cuisson, ne laissez pas le gril sans surveillance pendant une période quelconque.

- Placez les grilles de cuisson, côte à côte, sur le rebord de la grille à l'intérieur du gril principal. Placez la grille de cuisson supérieure sur le rebord supérieur à l'intérieur du gril principal. La grille de cuisson se mettra en place. Note illustration 10D.

REMARQUE : Pour maintenir les performances abrasives et griller de vos grilles de cuisson, des soins et une maintenance réguliers sont nécessaires.



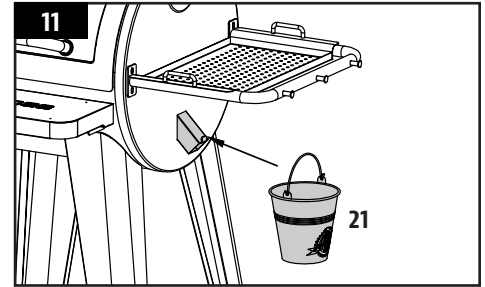
11. PLACER LE SEAU À GRAISSE

Pièces nécessaires :

1 x seau à graisse (# 21)

Installation :

- Placez le seau à graisse sur le crochet sur le bord du baril principal. Assurez-vous qu'il soit à niveau pour éviter les déversements de graisse.
- L'appareil est maintenant complètement assemblé.



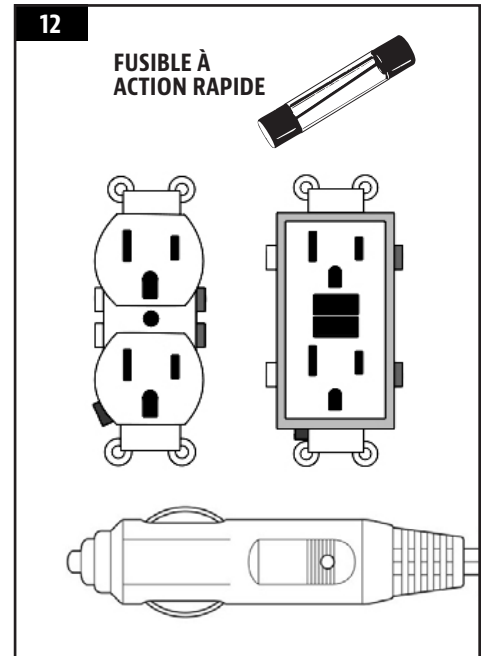
12. CONNEXION À UNE SOURCE D'ALIMENTATION

REMARQUE : Avant de brancher votre Pit Boss dans une prise électrique, assurez-vous que le cadran de réglage des températures est en position OFF.

- **PRISE STANDARD**
Cet appareil nécessite un voltage de 110-120 Volts, 60Hz, 275w. Il doit utiliser une fiche de mise à la terre à 3 broches. Assurez-vous que la mise à la terre n'est pas rompue avant utilisation. Le contrôle utilise un fusible à action rapide de et 110-120 volts pour protéger le panneau de l'allumeur.
- **LES PRISES GFCI**
Cet appareil fonctionnera sur la plupart des prises GFCI, avec une taille recommandée de 15 ampères. Si votre prise GFI est très sensible aux surtensions, elle sera probablement touchée par un court-circuit pendant la phase d'allumage. Pendant la phase d'allumage, l'allumeur nécessite entre 200 et 700 watts de tension, ce qui peut représenter trop de puissance pour une prise GFI. Chaque fois qu'il y a une surtension, il augmente sa sensibilité. Si le GFCI continue de sauter, remplacez la prise ou passez à une prise non GFCI.
- **SUR LA ROUTE**
Débranchez l'allumeur du faisceau de câbles principal. Utilisez la procédure de démarrage manuelle. Une unité Pit Boss peut fonctionner en utilisant un onduleur de 12 volts et 100 watts branché sur votre prise automobile. Pour utiliser l'allumeur automatique, il est recommandé d'utiliser au minimum un onduleur de 1000 watts.

IMPORTANT: Débranchez l'appareil de la source d'alimentation lorsqu'il n'est pas utilisé.

Reportez-vous au mode d'emploi pour les instructions d'utilisation.



IMPORTANT

DO NOT RETURN PRODUCT TO STORE

For all questions, comments, or inquiries, please contact Dansons our Customer Care department.


USA: (480) 923-9630 | CANADA (TOLL FREE): 1-877-942-2246
service@pitboss-grills.com


IMPORTANT

NE RETOURNEZ PAS LE PRODUIT AU MAGASIN

Pour toutes questions, commentaires ou demandes de renseignements, veuillez communiquer directement avec notre service client Dansons.

ÉTATS-UNIS: (480) 923-9630 | CANADA (SANS FRAIS) : 1-877-942-2246
service@pitboss-grills.com

 **WARNING:** This product can expose you to chemicals including wood dust, which is known to the State of California to cause cancer, and carbon monoxide, which is known to the State of California to cause birth defects or other reproductive harm. For more information go to WWW.P65WARNINGS.CA.GOV

 **AVERTISSEMENT :** Ce produit peut vous exposer à des agents chimiques, y compris la poussière de bois, identifiés par l'État de Californie comme pouvant causer le cancer, et le monoxyde de carbone, reconnu par l'État de Californie comme pouvant causer des malformations congénitales ou autres effets nocifs sur la reproduction. Pour de plus amples informations, prière de consulter WWW.P65WARNINGS.CA.GOV

MADE IN CHINA | FABRIQUÉ EN CHINE



©2021 DANSONS
780211108UMV