

MODEL / MODÈLE / MODELO: PB1150G  
PART / PIÈCE / PARTE: 10528, 10561



# PIT BOSS® NAVIGATOR

## WOOD PELLET GRILL & SMOKER

IMPORTANT, READ CAREFULLY, RETAIN FOR FUTURE REFERENCE. MANUAL MUST BE READ BEFORE OPERATING!

## GRIL & FUMOIR À GRANULES DE BOIS

IMPORTANT, PRENEZ CONNAISSANCE DE CE DOCUMENT ET CONSERVEZ-LE POUR RÉFÉRENCE ULTÉRIEURE. VOUS DEVEZ LIRE CE GUIDE AVANT D'UTILISER LE BARBECUE!

## PARRILLA Y AHUMADOR DE PELLETS DE MADERA

IMPORTANTE, LEER DETENIDAMENTE, CONSERVAR PARA REFERENCIA FUTURA. LEA EL MANUAL ANTES DEL USO!

For outdoor and household use only. Not for commercial use.  
Réservé à l'usage extérieur et résidentiel uniquement. Non destiné à un usage commercial.  
Solo para uso doméstico y en el exterior. No apto para uso comercial.

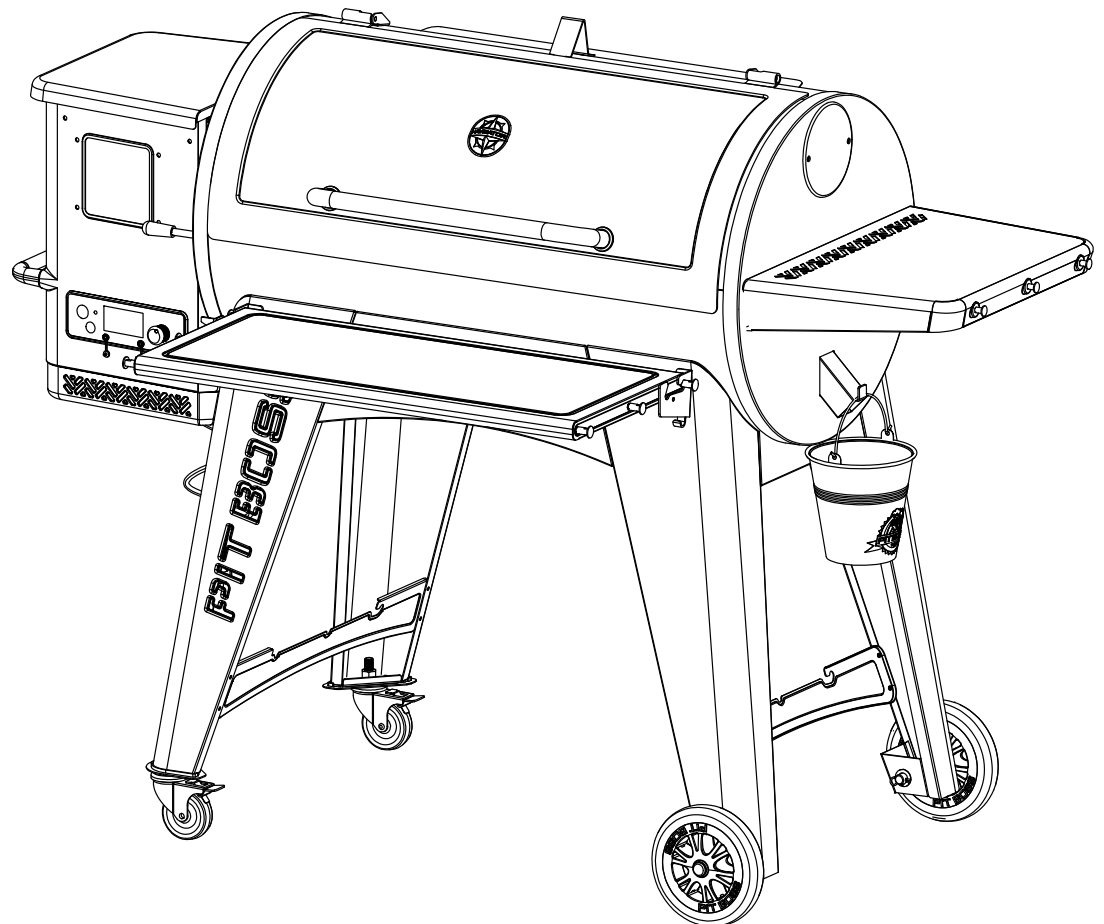
ASSEMBLY GUIDE  
GUIDE D'ASSEMBLAGE  
GUÍA DE MONTAJE



**WARNING:** Please read the entire manual before installation and use of this electric, pellet fuel-burning appliance. Failure to follow these instructions could result in property damage, bodily injury or even death. Contact local building or fire officials about restrictions and installation inspection requirements in your area.

**AVERTISSEMENT :** Veuillez lire l'intégralité du manuel avant l'installation et l'utilisation de cet appareil électrique à combustion de granulés de bois. Le non-respect de ces instructions peut entraîner des dommages matériels, des dommages corporels ou même la mort. Contactez les autorités locales compétentes concernant les restrictions et les exigences d'inspection en vigueur dans votre région.

**ADVERTENCIA:** Lea todo el manual antes de instalar y usar esta unidad que funciona con electricidad y combustión de pellets. Si no se siguen estas instrucciones, pueden producirse daños materiales, lesiones corporales o incluso la muerte. Para consultar las restricciones y requisitos de inspección de las instalaciones de su zona, póngase en contacto con los encargados de edificio o el Departamento de Bomberos.



# TABLE OF CONTENTS

ENGLISH

Parts & Specs.....	3
Assembly Preparation.....	5
Assembly Instructions	
Securing Feet To Support Legs.....	5
Securing Support Plates and Caster Wheels.....	5
Securing Support Plates and Wheels.....	6
Securing Support Plate To Support Legs For Wheels.....	6
Securing Support Plate To Support Legs For Casters.....	6
Mounting Main Barrel To The Cart.....	7
Securing Support Plates To The Grill.....	7
Installing The Lid Stopper.....	7
Installing The Lid Handle.....	7
Installing The Diffuser Plate.....	8
Installing The Flame Broiler Components.....	8
Installing Flame Broiler Adjusting Bar.....	8
Installing The Side Shelf.....	9
Securing The Front Shelf Brackets.....	9
Installing The Front Shelf.....	9
Installing The Grill Cooking Components.....	10
Installing Grease Bucket.....	10
Connecting To A Power Source.....	10



## COPYRIGHT NOTICE

Copyright 2021. All right reserved. No part of this manual may be copied, transmitted, transcribed, stored in a retrieval system, in any form or by any means without expressed written permission of,

### Dansons

3411 North 5th Avenue, Suite 500, Phoenix, AZ, USA 85013  
sales@pitboss-grills.com | service@pitboss-grills.com  
[www.pitboss-grills.com](http://www.pitboss-grills.com)

### Customer Service

Monday through Sunday, 4am - 8pm PST (EN/FR/ES)  
**Toll-Free: 1-877-303-3134, Fax: 1-877-303-3135**

# PARTS & SPECS

Part#	Description
1	Lid Stopper (x1)
2	Lid Handle (x1)
3	Lid Handle Bezel (x2)
4	Main Barrel/Hopper Assembly (x1)
5	Flame Broiler Adjusting Bar (x1)
6	Flame Broiler Adjusting Bar Handle (x1)
7	Flame Broiler Slider (x1)
8	Flame Broiler Main Plate (x1)
9	Left Front Leg (x1)
10	Left Back Leg (x1)
11	Right Front Leg (x1)
12	Right Back Leg (x1)
13	Left Front Leg Trim Piece (x1)
14	Left Back Leg Trim Piece (x1)
15	Locking Caster Wheel (x2)
16	Wheel (x2)
17	Right Bottom Support Plate (x1)
18	Left Bottom Support Plate (x1)
19	Short Support Plate (x2)
20	Front Long Support Plate (x1)
21	Back Long Support Plate (x1)
22	Front Shelf (x1)
23	Diffuser Plate (x1)
24	Front Shelf Bracket Right (x1)
25	Front Shelf Bracket Left (x1)
26	Grease Bucket (x1)
27	Right Side Table (x1)
28	Cooking Grid A (x1)
29	Cooking Grid B (x2)
30	Warming Rack (x1)
31	Meat Probe (x2)

Part#	Description
A	Screw (x18)
B	Washer (x18)
C	Locking Washer (x18)
D	Screw (x30)
E	Screw (x6)
F	Wheel Axle Pin (x2)
G	Wheel Cotter Pin (x2)
H	Wheel Washer (x2)

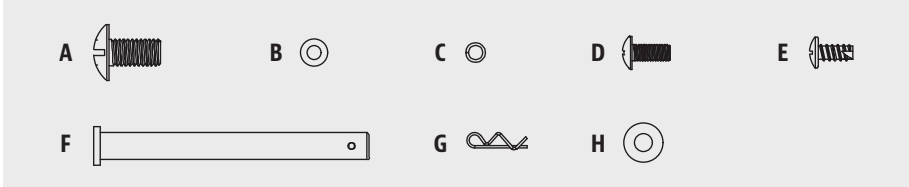
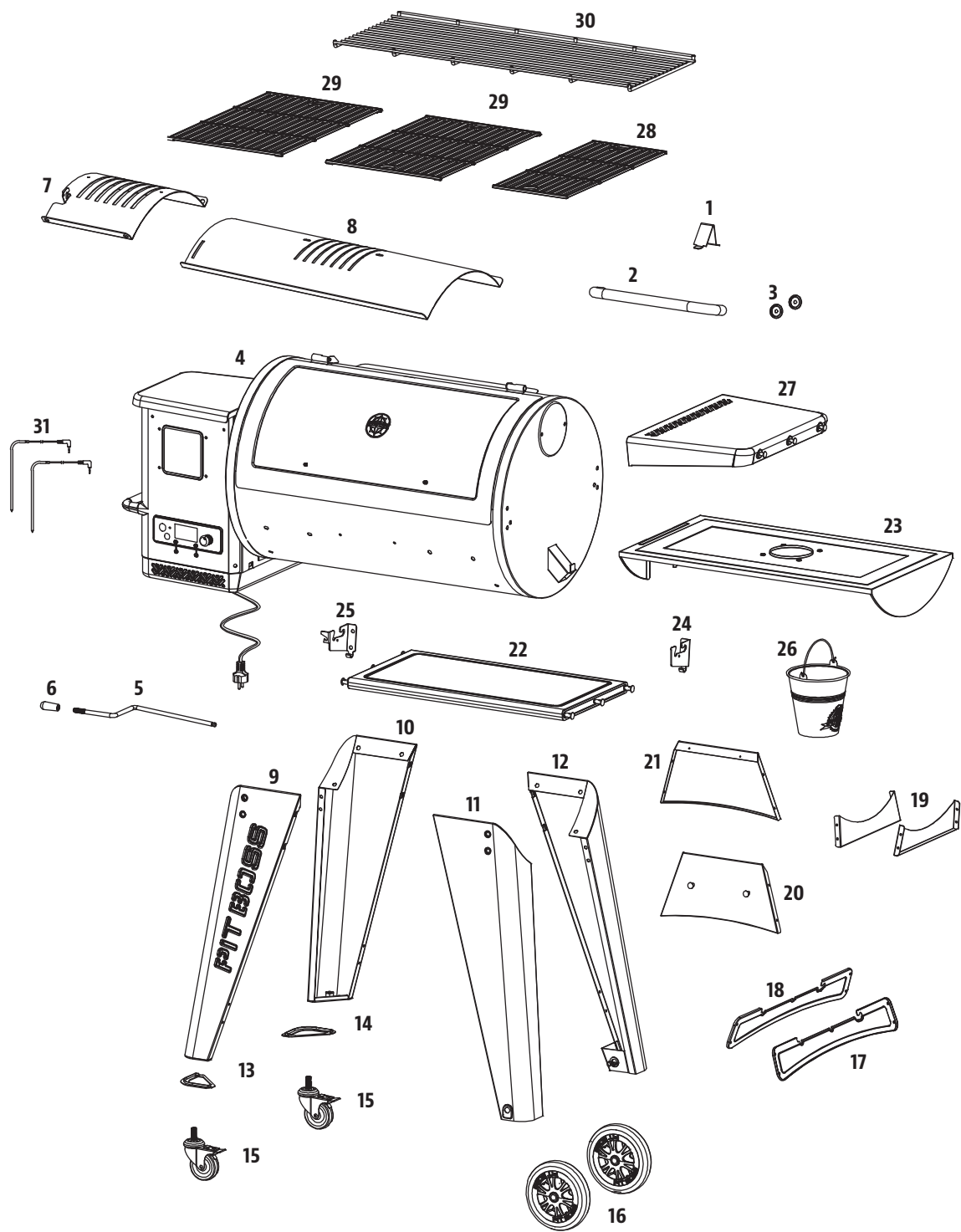
*NOTE: Due to ongoing product development, parts are subject to change without notice. Contact Customer Service if parts are missing when assembling the unit.*

**PB – ELECTRIC REQUIREMENTS**  
**110-120V, 60HZ, 250W, 3-PRONG GROUNDED PLUG**

Diagram Illustration on next page.

MODEL	UNIT ASSEMBLED (WxHxD)	UNIT WEIGHT	COOKING AREA	TEMP. RANGE
PB PB1150G	1,622MM X 1,195MM X 940MM / 63.86" X 47" X 37"	84 KG / 185.19 LB	MAIN - 4,587.1 CM <sup>2</sup> / 711 SQ. IN. UPPER RACK - 2,883.9 CM <sup>2</sup> / 447 SQ. IN. TOTAL - 7,471 CM <sup>2</sup> / 1,158 SQ. IN.	82-260°C / 180- 500°F

# PARTS & SPECS



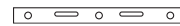
# ASSEMBLY PREPARATION

Parts are located throughout the shipping carton, including underneath the grill. Inspect the grill, parts, and hardware blister pack after removing from the protective shipping carton. Discard all packaging materials from inside and outside of the grill before assembly, then review and inspect all parts by referencing the parts list. If any part is missing or damaged, do not attempt to assemble. Shipping damage is not covered under warranty. Contact your dealer or Pit Boss® Customer Service for parts: Monday through Sunday, 4am - 8pm PST (EN/FR/ES).

service@pitboss-grills.com | Toll-Free: 1-877-303-3134 | Toll-Free Fax: 1-877-303-3135

**IMPORTANT: To ease installation and avoid injury, use two people when assembling this appliance.**

Tools required for assembly: screwdriver and level. *Tools not included.*



# ASSEMBLY INSTRUCTIONS

**IMPORTANT: It is advised to read each step entirely before starting assembly on instructions. Do not tighten screws completely until all screws for that step have been installed. Hardware combination involving a locking washer and washer should be installed with the locking washer closest to the head of the screw.**

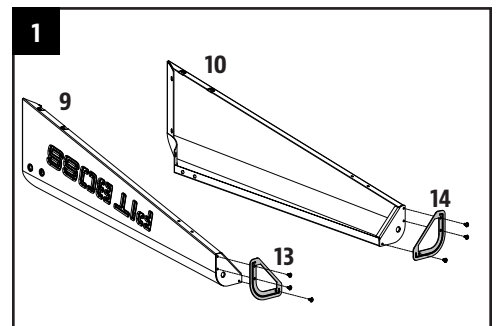
## 1. SECURING FEET TO SUPPORT LEGS

### Parts Required:

- 1 x Left Front Leg (#9)
- 1 x Left Back Leg (#10)
- 1 x Left Front Leg Trim Piece (#13)
- 1 x Left Back Leg Trim Piece (#14)
- 6 x Screw (#D)

### Installation:

- Use three screws to attach the Left Front Leg Trim Piece to the Left Front Leg for locking caster wheel. Continue to install the Left Back Leg for locking caster wheel and Left Back Leg Trim Piece.



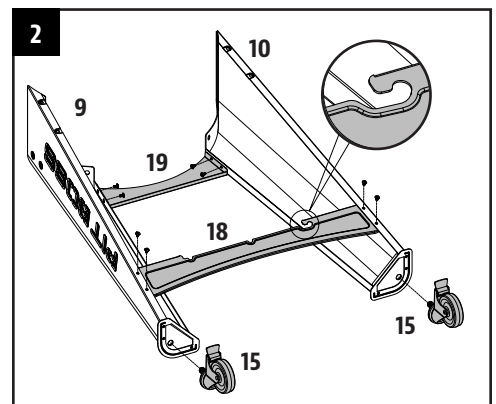
## 2. SECURING SUPPORT PLATES AND CASTER WHEELS

### Parts Required:

- 1 x Left Front Leg (#9)
- 1 x Left Back Leg (#10)
- 1 x Left Bottom Support Plate (#18)
- 1 x Short Support Plate (#19)
- 2 x Swivel Caster with Brake (#15)
- 8 x Screw (#D)

### Installation:

- Install one Short Support Plate to the side of the unit between of a Front and Back Support Legs using four screws. Repeat the same installation to mount the Bottom Support Plate to the same legs.
- Insert each Locking Caster Wheel into the Bottom of each Support Leg by hand-tightening into the hole. Ensure the Locking Caster Wheel is inserted completely by ensuring it cannot rotate any further.



**NOTE: Make sure Bottom Support Plate is facing up with correct direction.**

### 3. SECURING SUPPORT PLATES AND WHEELS

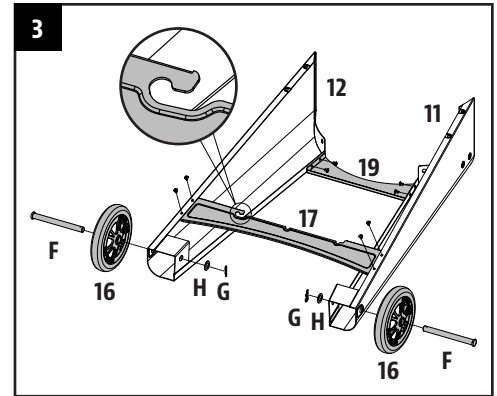
**Parts Required:**

- 1 x Right Front Leg (#11)
- 1 x Right Back Leg (#12)
- 1 x Right Bottom Support Plate (#17)
- 1 x Short Support Plate (#19)
- 2 x Wheel (#16)
- 8 x Screw (#D)
- 2 x Wheel Axle Pin (#F)
- 2 x Wheel Cotter Pin (#G)
- 2 x Wheel Washer (#H)

**Installation:**

- Install one Short Support Plate to the side of the unit between of a Front and Back Support Legs using four screws. Repeat the same installation to mount the Bottom Support Plate to the same legs.
- Attach the large Wheel to the Support Leg by inserting the Wheel Axle Pin through the Wheel Support Leg hole, then secure using the Wheel Cotter Pin. Repeat installation for other Wheel on the same side.

**NOTE: Make sure Bottom Support Plate is facing up with correct direction.**



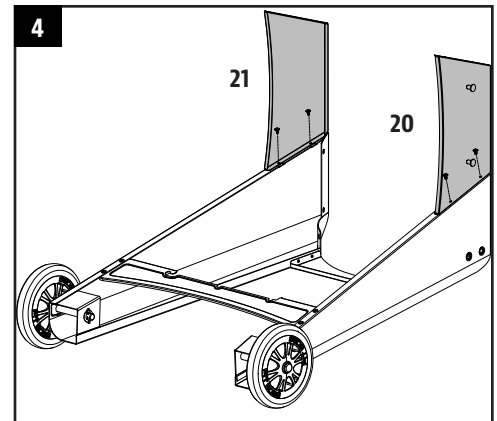
### 4. SECURING SUPPORT PLATE TO SUPPORT LEGS FOR WHEELS

**Parts Required:**

- 1 x Front Long Support Plate (#20)
- 1 x Back Long Support Plate (#21)
- 4 x Screw (#D)

**Installation:**

- Secure one Long Support Plate to one Support Leg for Wheel using two screws. Ensure the flat side of the Support Plate is facing outwards. Repeat the same installation to mount the other Long Support Plate to the other Support Leg.



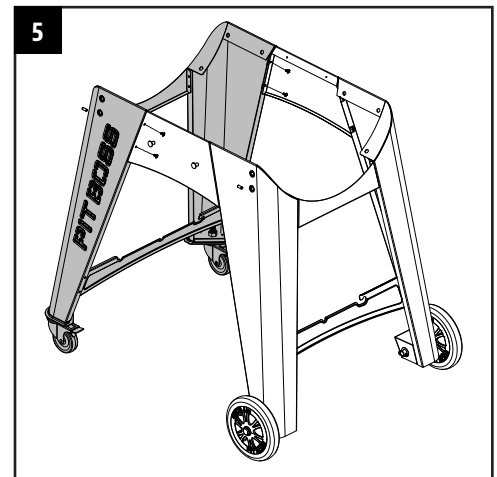
### 5. SECURING SUPPORT PLATE TO SUPPORT LEGS FOR CASTERS

**Parts Required:**

- 4 x Screw (#D)

**Installation:**

- Next, Secure the Long Support Plates to the Support Legs for Caster Wheel. Secure using two screws for each plate.



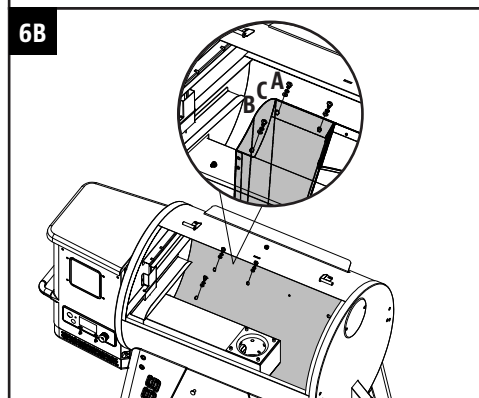
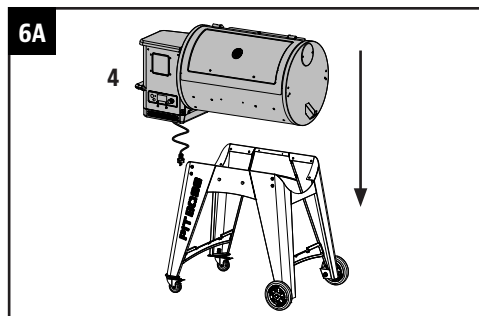
## 6. MOUNTING MAIN BARREL TO THE CART

### Parts Required:

- 1 x Main Barrel (#4)
- 12 x Screw (#A)
- 12 x Washer (#B)
- 12 x Locking Washer (#C)

### Installation:

- Prepare the Main Barrel to be mounted to the Cart. Carefully, lift the Cart into an upright position with the wheels on the bottom. Position the Cart next to the Main Barrel, with both facing the same direction. Lock the Caster Wheels on the Cart. Using a second person, prepare to lift the Main Barrel onto the Cart. With one person lifting from the hopper side, and the other person lifting from the opposing barrel end, carefully lift the Main Barrel, and slowly lower onto the Cart. Note illustration 6A.
- Next, open the Main Barrel lid. Adjust the rotation as needed to align the screw holes of the Main Barrel to the Cart. Once placed, secure each leg to the Main Barrel using three screws, washers, and locking washers. Note illustration 6B.



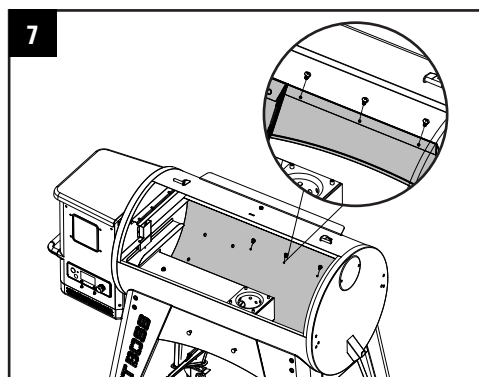
## 7. SECURING SUPPORT PLATES TO THE GRILL

### Parts Required:

- 6 x Screw (#E)

### Installation:

- Secure each Long Support Plate to the Main Barrel using three screws.



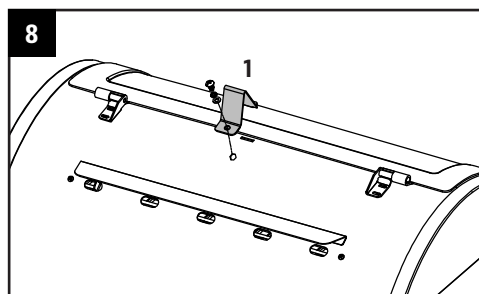
## 8. INSTALLING THE LID STOPPER

### Parts Required:

- 1 x Lid Stopper (#1)

### Installation:

- Secure the Lid Stopper onto the top of the Main Barrel using the pre-installed screw on top of the Main Barrel.



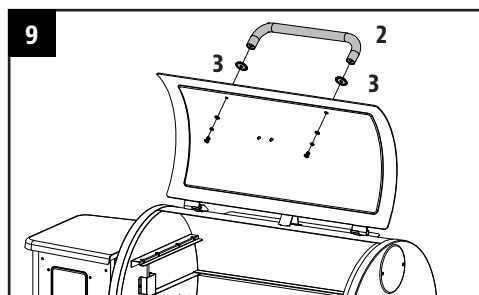
## 9. INSTALLING THE LID HANDLE

### Parts Required:

- 1 x Lid Handle (#2)
- 2 x Lid Handle Bezel (#3)

### Installation:

- Remove the pre-installed screws from the Lid Handle. From inside the barrel lid, insert one screw protrude to the outside. Add a Bezel on the screw. Then hand-tighten the screw (from the inside) into the Lid Handle. Repeat for other side.



## 10. PLACING THE DIFFUSER PLATE

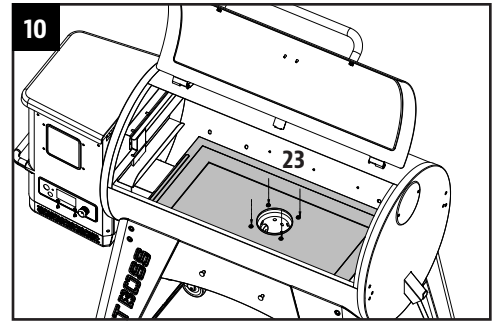
### Parts Required:

- 1 x Diffuser Plate (#23)

### Installation:

- Replace the Diffuser Plate in Main Barrel.

**NOTE:** Make sure the four holes of the Diffuser Plate are aligned properly with four screws of the burn pot.



## 11. INSTALLING THE FLAME BROILER COMPONENTS

### Parts Required:

- 1 x Flame Broiler Main Plate (#8)

- 1 x Flame Broiler Slider (#7)

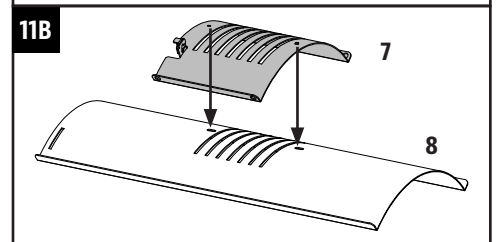
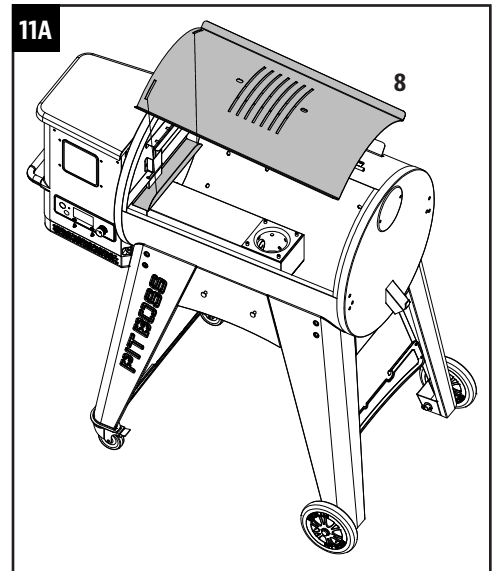
### Installation:

- Insert the Flame Broiler Main Plate into the main grill. Rest the Flame Broiler Main Plate on the built-in ledge (on the inside right) of the Main Grill that directs grease towards the grease bucket spout. Slide the entire piece to the left side, and the two slots on the Flame Broiler Main Plate will fit into the rounded ledge above the burn pot. It will sit slightly at a downward angle. Note illustration 11A.

**IMPORTANT:** If the Main Plate is resting on the base of the Barrel, it is installed incorrectly. Poor installation may result in damage to your Main Grill Barrel.

- Place the Flame Broiler Slider on top of the Flame Broiler Main Plate covering the slotted openings. Ensure the raised tab is on the left and the two pins at the bottom of the Flame Broiler Slider place into the holes of the Flame Broiler Main Plate to easily adjust for direct and indirect flame when cooking. Both flame broiler parts are lightly coated with oil to avoid rusting when shipped. Note illustration 11B.

**NOTE:** To maintain the searing and grilling performance of your cooking grids, regular care and maintenance is required. See Owner's Manual.



## 12. INSTALLING FLAME BROILER ADJUSTING BAR

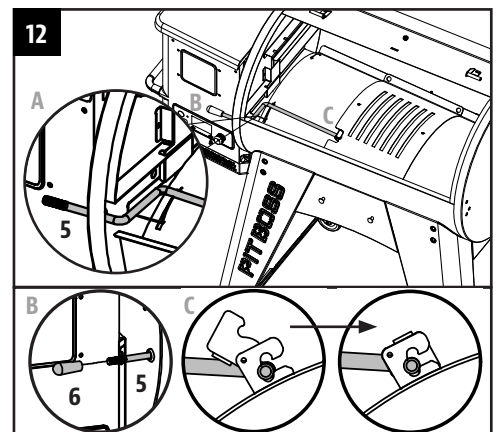
### Parts Required:

- 1 x Flame Broiler Adjusting Bar (#5)

- 1 x Flame Broiler Adjusting Bar Handle (#6)

### Installation:

- Insert the Flame Broiler Adjusting Bar through the opening hole on the left side of the Main Barrel. Add the Flame Broiler Adjusting Bar Handle on the end outside the Barrel. Next, slide the notched end of the Adjusting Bar into the locking tab on the Flame Broiler Slider, giving you adjustable access to the Flame Broiler Slider on the Main Plate.



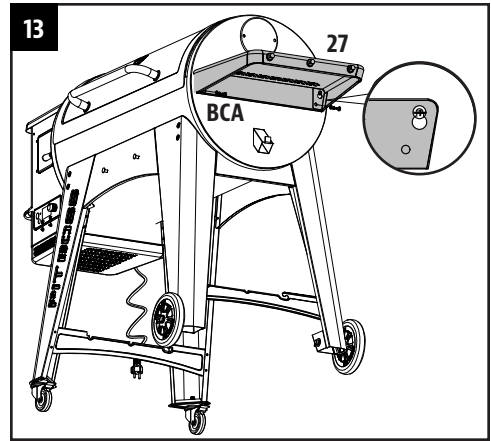
### 13. INSTALLING THE SIDE SHELF

**Parts Required:**

- 1 x Side Table (#27)
- 2 x Screw (#A)
- 2 x Washer (#B)
- 2 x Locking Washer (#C)

**Installation:**

- Loosen the two pre-installed screws from the side of the Main Barrel. Hook up the Side Shelf on the screws first then secure the two pre-loosened screws into place.
- From underneath, secure the Side Shelf to the side panel of the Main Barrel using two screws, washers, and locking washers.



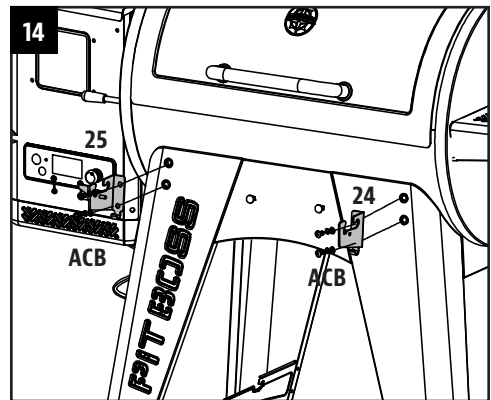
### 14. SECURING THE FRONT SHELF BRACKETS

**Parts Required:**

- 1 x Front Shelf Bracket Right (#24)
- 1 x Front Shelf Bracket Left (#25)
- 4 x Screw (#A)
- 4 x Washer (#B)
- 4 x Locking Washer (#C)

**Installation:**

- Secure each Front Shelf Support Bracket onto the Front Support Leg by using two screws, washers and locking washers.



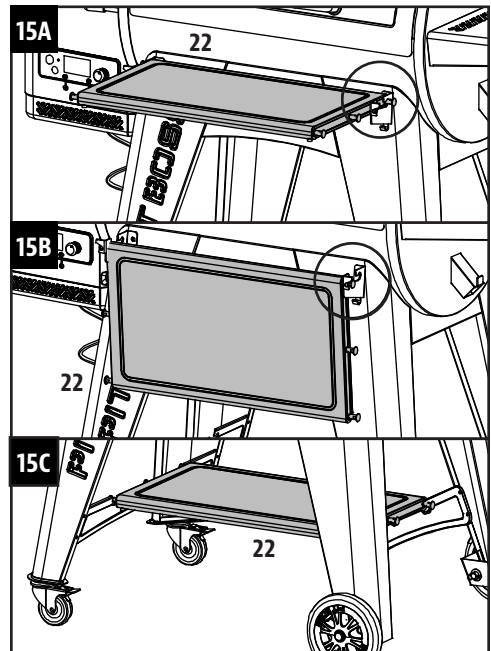
### 15. INSTALLING THE FRONT SHELF

**Parts Required:**

- 1 x Front Shelf (#22)

**Installation:**

- Place the Front Shelf on the Front Shelf Support Brackets. Note illustration 15A as unfolded Front Shelf.
- Note illustration 15B as folded Front Shelf.
- Front Shelf can also be placed on the Bottom Support Plates and be used as Bottom Plate. Note illustration 15C.



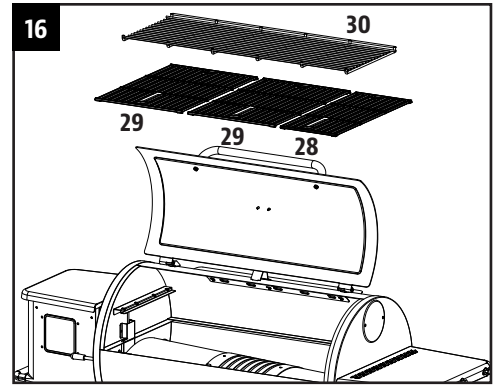
## 16. INSTALLING THE GRILL COOKING COMPONENTS

### Parts Required:

- 1 x Cooking Grid A (#28)
- 2 x Cooking Grid B (#29)
- 1 x Porcelain-Coated Steel Upper Warming Rack (#30)

### Installation:

- Place the Cooking Grids, side by side, on the grid ledge inside the Main Grill.
- Place the Upper Cooking Rack on the upper ledge inside the Main Grill. The Warming Rack will lock into place.



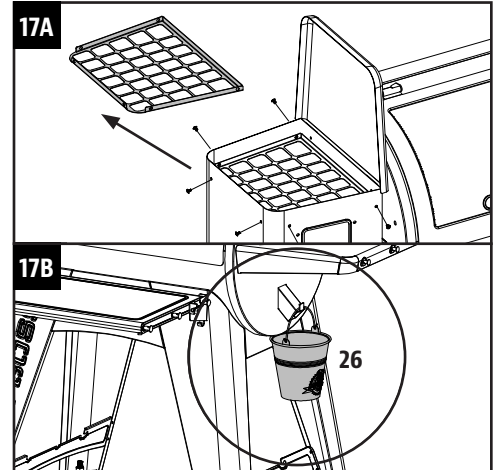
## 17. INSTALLING THE GREASE BUCKET

### Parts Required:

- 1 x Grease Bucket (#26)

### Installation:

- Unscrew the six screws along the outside of the Hopper that secure the Hopper Safety Screen to the interior and remove the safety screen to access the Grease Bucket. Replace the Hopper Safety Screen and re-install the six screws to secure. Note illustration 17A.
- Place the Grease Bucket on the spout hook on the end of the Main Barrel. Ensure it is level to avoid grease spills. Note illustration 17B.
- The unit is now completely assembled.

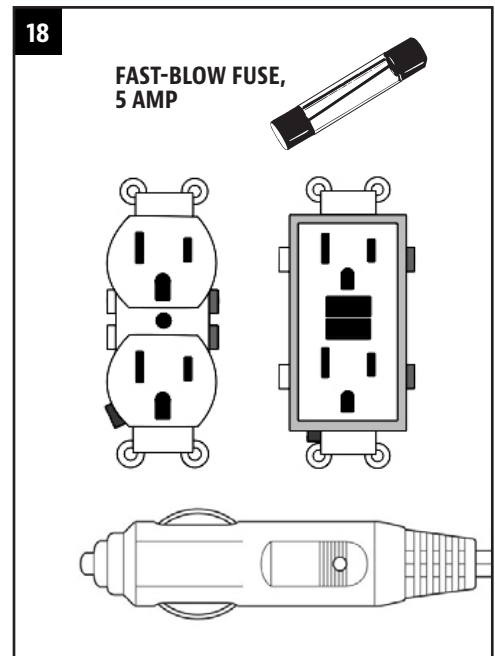


## 18. CONNECTING TO A POWER SOURCE

**NOTE: Before plugging your Pit Boss® into any electrical outlet, ensure the temperature dial is in the OFF position.**

- **STANDARD OUTLET**  
This appliance requires 110-120 volt, 60hz, 250w. It must be a 3-prong grounded plug. Ensure grounded end is not broken off before use. The control uses a 110-120 volt and fast-blow fuse to protect the board from the igniter.
- **GFCI OUTLETS**  
This appliance will work on most GFCI outlets, with a recommended size of 15 amp service. If your GFCI outlet is highly sensitive to power surges, it will likely trip during the start-up phase of operation. During the start-up phase, the igniter draws 200-700 watts of electricity, which can be too much power for a GFCI outlet to handle. Each time it trips, it increases in sensitivity. If the GFCI keeps tripping, replace the outlet or change to a non-GFCI outlet.
- **ON THE ROAD**  
Disconnect the igniter from the main wiring harness. Use the manual start-up procedure. A Pit Boss® unit can operate using a 12 volt, 100 watt inverter plugged into your automobile outlet. To use the automatic igniter, it is recommended to use a minimum of a 1000 watt inverter.

**IMPORTANT: Disconnect unit from power source when not in use.**



**Refer to Owner's Manual for Operating Instructions.**

# TABLE DES MATIÈRES

Pièces et spécifications .....	12
Préparation de l'assemblage .....	14
Instructions d'assemblage	
Fixation des pieds aux pieds de support .....	14
Fixation des plaques de support et des roulettes pivotantes .....	15
Fixation des plaques de support et des roues .....	15
Fixation de la plaque de support aux pieds de support des roues .....	16
Fixation de la plaque de support aux pieds de support pour roulettes .....	16
Montage du corps principal sur le chariot .....	16
Fixation des plaques de support au gril .....	17
Installation du butoir pour couvercle .....	17
Installation de la poignée du couvercle .....	17
Placer la plaque du diffuseur .....	17
Installation des composants du diffuseur de chaleur .....	18
Installation de la barre de réglage du grilloir à flamme ...	18
Installation de l'étagère latérale .....	18
Fixation des supports de l'étagère avant .....	19
Installation de l'étagère avant .....	19
Installation des composants de cuisson du gril .....	19
Installation du seau à graisse .....	20
Connexion à une source d'alimentation .....	20



## DÉCLARATION CONCERNANT LES DROITS D'AUTEUR

Copyright 2021. Tous droits réservés. Aucune partie de ce manuel ne peut être copiée, transmise, transcrite ou stockée dans un système d'archivage, sous quelque forme ou par quelque moyen que ce soit, sans l'autorisation expresse écrite de :

### Dansons

3411 North 5th Avenue, Suite 500, Phoenix, AZ, USA 85013  
sales@pitboss-grills.com | service@pitboss-grills.com  
[www.pitboss-grills.com](http://www.pitboss-grills.com)

### Service clients

Du lundi au dimanche, de 4 h à 20 h HNP (EN/FR/ES)

Numéro gratuit : 1-877-303-3134, Fax : 1-877-303-3135

# PIÈCES ET SPÉCIFICATIONS

N°	Description
1	Butoir pour couvercle (x 1)
2	Poignée pour couvercle (x 1)
3	Bague de la poignée pour couvercle (x 2)
4	Assemblage corps principal / trémie (x 1)
5	Barre de réglage du grilloir à flamme (x 1)
6	Poignée de la barre de réglage du grilloir à flamme (x 1)
7	Plaque coulissante du diffuseur de chaleur (x 1)
8	Plaque principale du diffuseur de chaleur (x 1)
9	Pied avant gauche (x 1)
10	Pied arrière gauche (x 1)
11	Pied avant droit (x 1)
12	Pied arrière droit (x 1)
13	Pièce de garniture pour pied avant gauche (x 1)
14	Pièce de garniture pour pied arrière gauche (x 1)
15	Roulettes pivotantes à frein (x 2)
16	Roue (x 2)
17	Plaque de maintien inférieure droite (x 1)
18	Plaque de maintien inférieure gauche (x 1)
19	Plaque de maintien courte (x 2)
20	Plaque de maintien longue avant (x 1)
21	Plaque de maintien longue arrière (x 1)
22	Étagère avant (x 1)
23	Plaque du diffuseur (x1)
24	Support pour étagère avant droit (x 1)
25	Support pour étagère avant gauche (x 1)
26	Seau à graisse (x 1)
27	Plateau latéral droit (x 1)
28	Grille de cuisson A (x 1)
29	Grille de cuisson B (x 2)
30	Support chauffant (x 1)
31	Sonde de cuisson (x 2)

N°	Description
A	Vis (x18)
B	Rondelle (x18)
C	Rondelle de blocage (x18)
D	Vis (x30)
E	Vis (x6)
F	Goupille cannelée pour roue (x2)
G	Goupille bêta pour roue (x 2)
H	Rondelle pour roue (x 2)

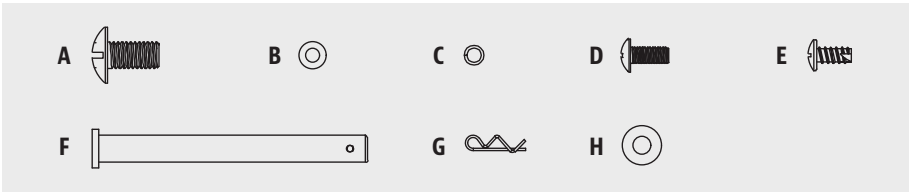
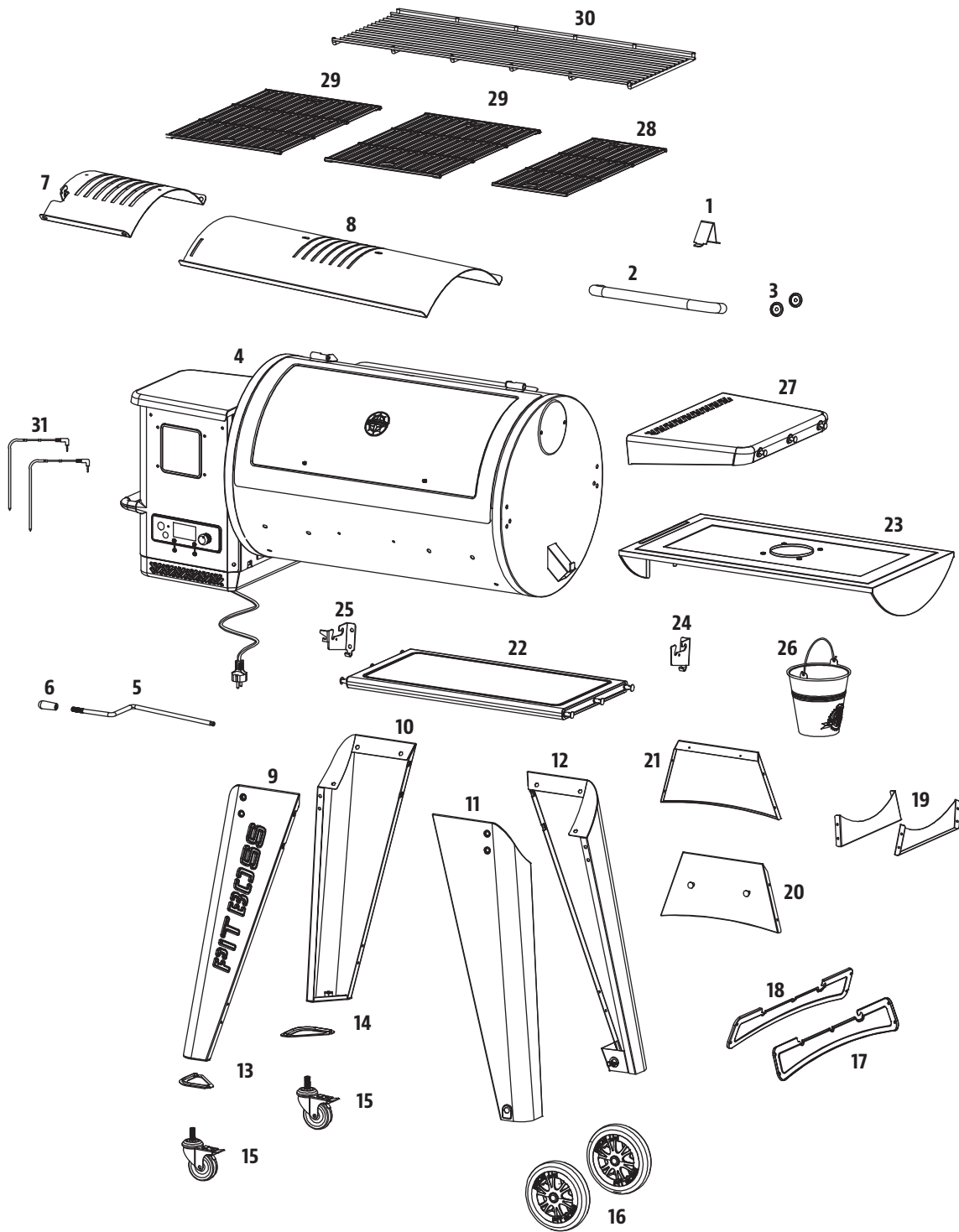
REMARQUE : de par le développement continu du produit, des pièces peuvent faire l'objet de modifications sans préavis. Contactez le service clients si des pièces manquent lors de l'assemblage de l'appareil.

**PB – EXIGENCES ÉLECTRIQUES**  
110-120V, 60HZ, 250W, FICHE À 3 BROCHES MISE À LA TERRE

Illustration à la page suivante.

MODÈLE	APPAREIL MONTÉ (L x H x P)	POIDS	ZONE DE CUISSON	PLAGE DE TEMPÉRATURE
PB PB1150G	1 622MM X 1 195MM X 940MM / 63,86" X 47" X 37"	84 KG / 185,19 LB	PRINCIPALE - 4 587,1 CM <sup>2</sup> / 711 PO <sup>2</sup> GRILLE SUPÉRIEURE - 2 883,9 CM <sup>2</sup> / 447 PO <sup>2</sup> TOTAL - 7 471 CM <sup>2</sup> / 1 158 PO <sup>2</sup>	82 À 260 °C/ 180 À 500 °F

# PIÈCES ET SPÉCIFICATIONS



# PRÉPARATION DE L'ASSEMBLAGE

Les pièces se trouvent partout dans le carton d'expédition, y compris sous le gril. Inspectez le gril, les pièces et le sachet de quincaillerie après les avoir retirés du carton d'expédition. Débarrassez-vous de tous les emballages intérieurs et extérieurs du gril avant de procéder à l'assemblage, puis passez en revue et inspectez toutes les pièces en vous référant à la liste. Si une pièce manque ou est endommagée, ne procédez pas à l'assemblage. Les dégâts liés à l'envoi ne sont pas couverts par la garantie. Contactez votre revendeur ou le service clients de Pit Boss® concernant ces pièces : du lundi au dimanche, de 4 h à 20 h HP (EN/FR/ES).

service@pitboss-grills.com | Numéro gratuit : 1-877-303-3134 | Fax : 1-877-303-3135

**IMPORTANT : pour faciliter l'installation et éviter des blessures, il est recommandé de mettre deux personnes à contribution lors de l'assemblage de l'appareil.**

**Outils nécessaires pour l'assemblage :** un tournevis et un niveau. *Ces outils ne sont pas fournis.*



## INSTRUCTIONS D'ASSEMBLAGE

**IMPORTANT :** nous vous conseillons de lire entièrement chaque étape avant de procéder à l'assemblage conformément aux instructions. Ne serrez pas totalement les vis avant que toutes les vis de cette étape soient installées. L'assemblage de pièces impliquant une rondelle de blocage et une rondelle doit être effectué en plaçant la rondelle de blocage le plus près possible de la tête de la vis.

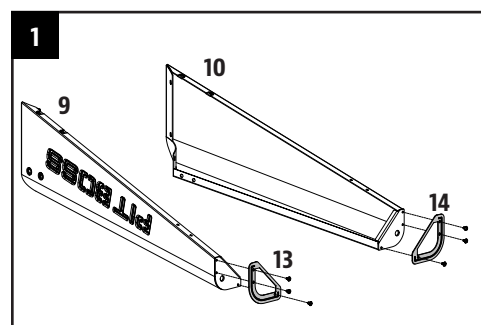
### 1. FIXATION DES PIEDS AUX PIEDS DE SUPPORT

**Pièces nécessaires :**

- 1 x Pied avant gauche (n° 9)
- 1 x Pied arrière gauche (n° 10)
- 1 x Pièce de garniture pour pied avant gauche (n° 13)
- 1 x Pièce de garniture pour pied arrière gauche (n° 14)
- 6 x Vis (n° D)

**Installation:**

- Utilisez trois vis pour fixer la pièce de garniture de le pied avant gauche au pied avant gauche pour roulette pivotante à frein. Continuez à installer le pied arrière gauche de la roulette pivotante à frein et la garniture de pied arrière gauche.



## 2. FIXATION DES PLAQUES DE SUPPORT ET DES ROULETTES PIVOTANTES

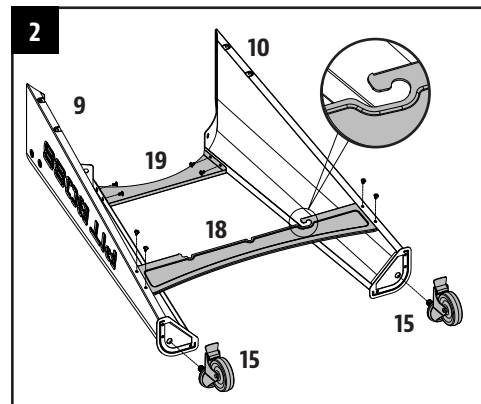
### Pièces nécessaires :

- 1 x Pied avant gauche (n° 9)
- 1 x Pied arrière gauche (n° 10)
- 1 x Plaque de maintien inférieure gauche (n° 18)
- 1 x Plaque de maintien courte (n° 19)
- 2 x Roulettes pivotantes à frein (n° 15)
- 8 x Vis (n° D)

### Installation:

- Installez une plaque de support courte sur le côté de l'unité entre les pieds de support avant et arrière à l'aide de quatre vis. Répétez le processus pour monter la plaque de support inférieure sur les mêmes pieds.
- Insérez chaque roulette pivotante à frein au bas de chaque pied de support, en les serrant manuellement dans le trou. Vérifiez que la roulette pivotante à frein est totalement insérée, en vous assurant qu'elle ne peut plus tourner.

**REMARQUE : Assurez-vous que la plaque de support inférieure est orientée vers le haut et dans la bonne direction.**



## 3. FIXATION DES PLAQUES DE SUPPORT ET DES ROUES

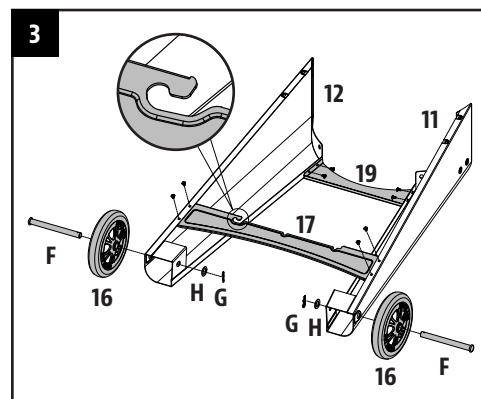
### Pièces nécessaires :

- 1 x Pied avant droit (n° 11)
- 1 x Pied arrière droit (n° 12)
- 1 x Plaque de maintien inférieure droite (n° 17)
- 1 x Plaque de maintien courte (n° 19)
- 2 x Roue (n° 16)
- 8 x Vis (n° D)
- 2 x Goupille cannelée pour roue (n° F)
- 2 x Goupille bêta pour roue (n° G)
- 2 x Rondelle pour roue (n° H)

### Installation:

- Installez une plaque de support courte sur le côté de l'unité entre les pieds de support avant et arrière à l'aide de quatre vis. Répétez le processus pour monter la plaque de support inférieure sur les mêmes pieds.
- Montez la grande roue au pied de support en insérant la goupille de l'essieu des roues à travers la roue, le pied de support, puis fixez le tout en utilisant la goupille fendue de la roue. Répétez le processus pour l'autre roue du même côté.

**REMARQUE : Assurez-vous que la plaque de support inférieure est orientée vers le haut et dans la bonne direction.**



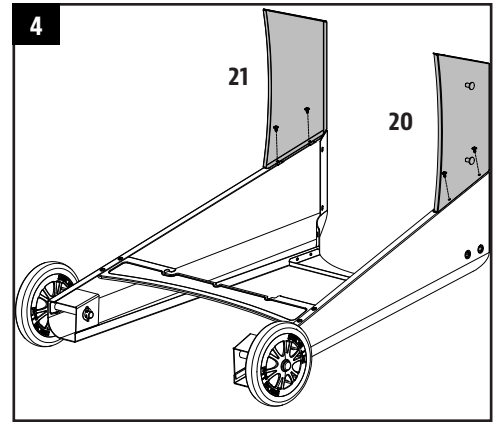
#### 4. FIXATION DE LA PLAQUE DE SUPPORT AUX PIEDS DE SUPPORT DES ROUES

##### Pièces nécessaires :

- 1 x Plaque de maintien longue avant (n° 20)
- 1 x Plaque de maintien longue arrière (n° 21)
- 4 x Vis (n° D)

##### Installation:

- Fixer une plaque de support longue sur un pied de support pour roue à l'aide de deux vis. Assurez-vous que le côté plat de la plaque de support est orienté vers l'extérieur. Répétez la même procédure pour monter la plaque de support longue sur l'autre pied de support.



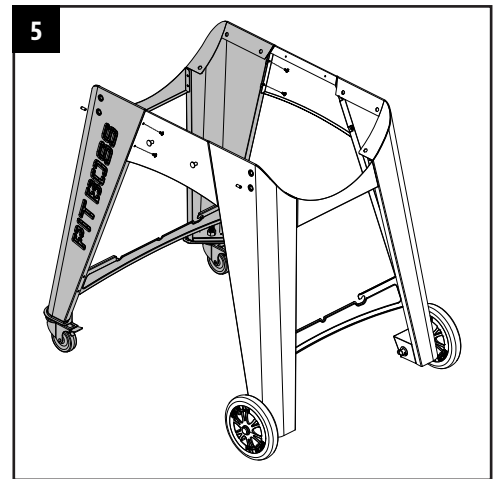
#### 5. FIXATION DE LA PLAQUE DE SUPPORT AUX PIEDS DE SUPPORT POUR ROULETTES

##### Pièces nécessaires :

- 4 x Vis (n° D)

##### Installation:

- Ensuite, fixez les plaques de support longues sur les pieds de support de la roulette pivotante. Fixez-les à l'aide de deux vis pour chaque plaque.



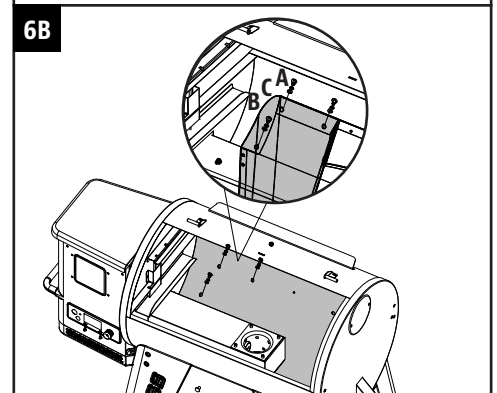
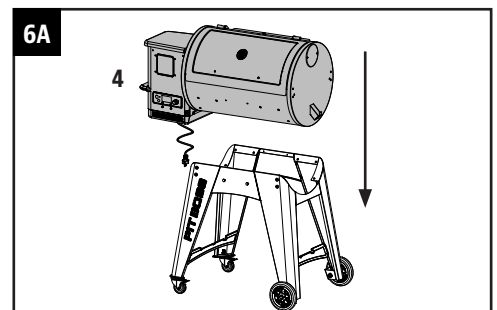
#### 6. MONTAGE DU CORPS PRINCIPAL SUR LE CHARIOT

##### Pièces nécessaires :

- 1 x Assemblage corps principal / trémie (n° 4)
- 12 x Vis (n° A)
- 12 x Rondelle (n° B)
- 12 x Rondelle de blocage (n° C)

##### Installation:

- Préparez le corps principal à monter sur le chariot. Placez soigneusement le chariot dans une position verticale, avec les roulettes sur le sol. Placez le chariot à côté du corps principal, les deux étant orientés dans la même direction. Verrouillez les roulettes pivotantes sur le chariot. Avec l'aide d'une deuxième personne, préparez-vous à soulever le corps principal pour le placer sur le chariot. Avec une personne soulevant le corps principal à partir du côté de la trémie et l'autre personne le soulevant à partir du côté opposé, soulevez le corps principal avec précaution et descendez lentement sur le chariot. Consultez l'illustration 6A.
- Ouvrez ensuite le couvercle du corps principal. Au besoin, tournez le corps principal pour aligner ses trous de vis sur le chariot. Une fois le tout en place, fixez chaque pied au corps principal à l'aide de trois vis, de rondelles de blocage et de rondelles. Consultez l'illustration 6B.



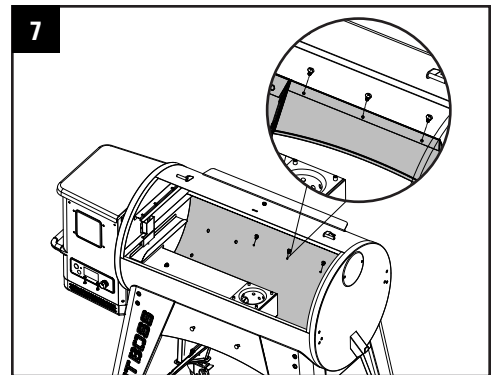
## 7. FIXATION DES PLAQUES DE SUPPORT AU GRIL

### Pièces nécessaires :

6 x Vis (n°E)

### Installation:

- Fixez chaque plaque de support longue au corps principal à l'aide de trois vis.



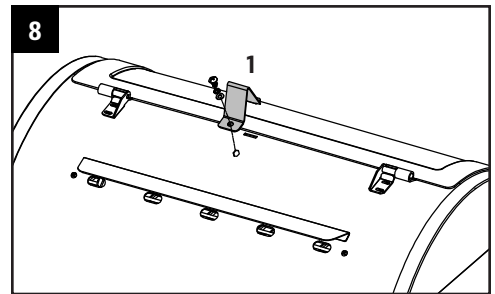
## 8. INSTALLATION DU BUTOIR POUR COUVERCLE

### Pièces nécessaires :

1 x Butoir pour couvercle (n°1)

### Installation:

- Attachez le butoir pour couvercle en haut du corps principal à l'aide des vis préinstallées qui se trouvent sur le dessus du corps principal.



## 9. INSTALLATION DE LA POIGNÉE DU COUVERCLE

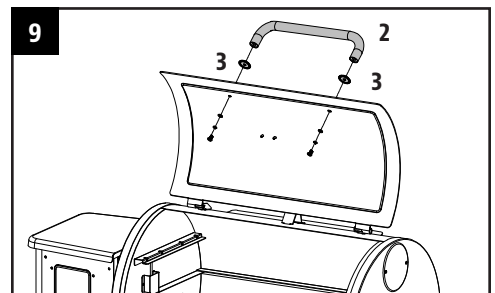
### Pièces nécessaires :

1 x Poignée pour couvercle (n°2)

2 x Bague de la poignée pour couvercle (n°3)

### Installation:

- Retirez les vis préinstallées de la poignée du couvercle. De l'intérieur du couvercle du corps, insérez une vis afin qu'elle dépasse de l'autre côté. Ajoutez une bague à la vis. Ajoutez une bague sur la vis, puis serrez-la à la main (de l'intérieur) dans la poignée du couvercle. Répétez l'opération pour l'autre côté.



## 10. PLACER LA PLAQUE DU DIFFUSEUR

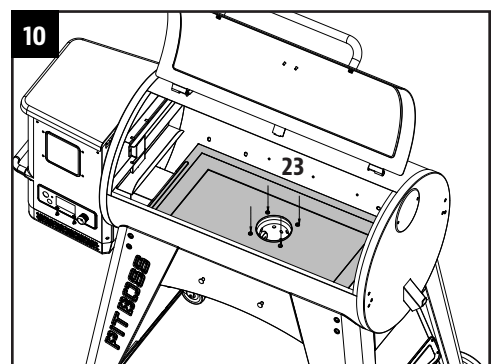
### Pièces nécessaires :

1 x Plaque du diffuseur (n°23)

### Installation:

- Remplacez la plaque du diffuseur dans le corps principal.

**REMARQUE :** Assurez-vous que les quatre trous de la plaque du diffuseur sont correctement alignés avec les quatre vis du pot de combustion.



## 11. INSTALLATION DES COMPOSANTS DU DIFFUSEUR DE CHALEUR

### Pièces nécessaires :

- 1 x Plaque principale du diffuseur de chaleur (n° 8)
- 1 x Plaque coulissante du diffuseur de chaleur (n° 7)

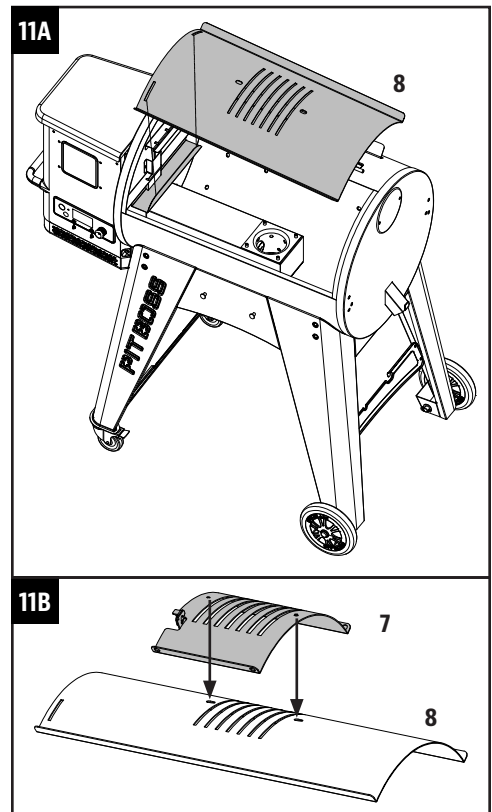
### Installation:

- Insérez la plaque principale du diffuseur de chaleur dans le gril principal. Posez la plaque principale du grilloir à flamme sur le rebord intégré (à l'intérieur du gril principal qui dirige la graisse vers le seau à graisse. Faites coulisser toute la pièce sur le côté gauche, et les deux fentes sur la plaque principale du grilloir à flamme s'ajusteront dans le rebord arrondi au-dessus du pot de combustion. Il adoptera un angle légèrement incliné vers le bas. Consultez l'illustration 11A.

**IMPORTANT : si la plaque principale repose sur la base du corps, c'est qu'elle est mal installée. Une mauvaise installation peut endommager votre appareil.**

- Placez la plaque coulissante du diffuseur de chaleur au-dessus de la plaque principale du diffuseur de chaleur, recouvrant les fentes. Assurez-vous que la languette surélevée se trouve à gauche, et que les deux broches au bas de la plaque coulissante du diffuseur de chaleur se placent dans les trous de la plaque principale du diffuseur de chaleur, pour s'adapter facilement à la flamme directe et indirecte lors de la cuisson. Les deux plaques du diffuseur de chaleur sont légèrement recouvertes d'huile pour éviter l'apparition de rouille lors de l'envoi. Consultez l'illustration 11B.

**REMARQUE : pour conserver les performances de cuisson et de grillage de vos grilles de cuisson, une maintenance et un entretien réguliers sont nécessaires. Reportez-vous au manuel d'utilisation.**



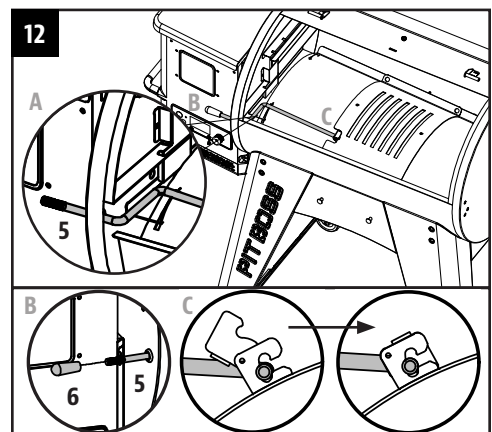
## 12. INSTALLATION DE LA BARRE DE RÉGLAGE DU GRILLOIR À FLAMME

### Pièces nécessaires :

- 1 x Barre de réglage du grilloir à flamme (n° 5)
- 1 x Poignée de la barre de réglage du grilloir à flamme (n° 6)

### Installation:

- Insérez la barre de réglage du grilloir à flamme dans le trou situé sur le côté gauche du corps principal. Ajoutez la poignée de réglage du grilloir à flamme à l'extrémité à l'extérieur du baril. Glissez ensuite l'extrémité crantée de la barre de réglage dans la languette de verrouillage de la glissière du grilloir à flamme, ce qui vous donne un accès facile à la glissière du grilloir à flamme de la plaque principale.



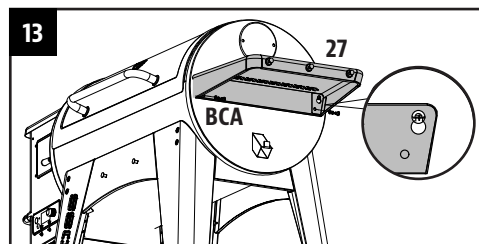
## 13. INSTALLATION DE L'ÉTAGÈRE LATÉRALE

### Pièces nécessaires :

- 1 x Plateau latéral droit (n° 27)
- 2 x Vis (n° A)
- 2 x Rondelle (n° B)
- 2 x Rondelle de blocage (n° C)

### Installation:

- Desserrez les deux vis préinstallées sur le côté du corps principal. Montez d'abord l'étagère latérale sur les vis, puis fixez les deux vis dévissées en place.
- En passant par le dessous, fixez l'étagère latérale au panneau latéral du corps principal à l'aide de deux vis, de rondelles de blocage et de rondelles.



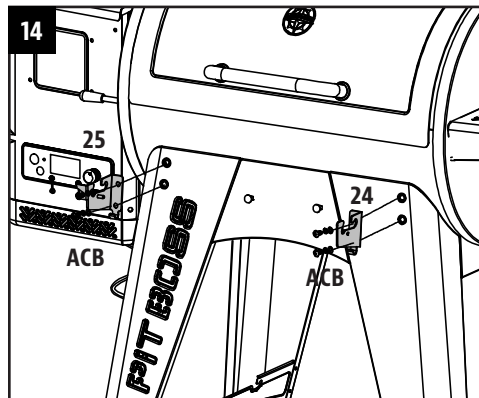
## 14. FIXATION DES SUPPORTS DE L'ÉTAGÈRE AVANT

### Pièces nécessaires :

- 1 x Support pour étagère avant droit (n° 24)
- 1 x Support pour étagère avant gauche (n° 25)
- 4 x Vis (n° A)
- 4 x Rondelle (n° B)
- 4 x Rondelle de blocage (n° C)

### Installation:

- Fixez chaque support de support d'étagère avant sur le pied de support avant gauche à l'aide de deux vis, rondelles et rondelles de blocage.



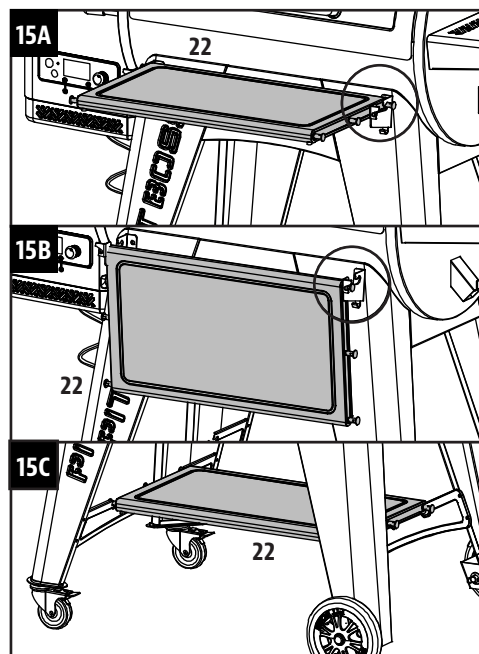
## 15. INSTALLATION DE L'ÉTAGÈRE AVANT

### Pièces nécessaires :

- 1 x Étagère avant (n° 22)

### Installation:

- Placez l'étagère avant sur les supports d'étagère avant. Reportez-vous à l'illustration 15A montrant une étagère avant dépliée.
- Reportez-vous à l'illustration 15B montrant une étagère avant pliée.
- L'étagère avant peut également être placée sur les plaques de support inférieures et être utilisée comme plateau inférieur. Consultez l'illustration 15C.



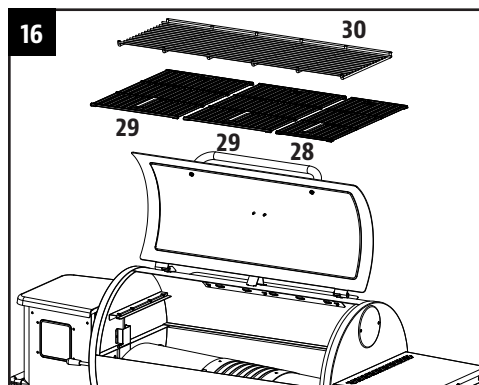
## 16. INSTALLATION DES COMPOSANTS DE CUISSON DU GRIL

### Pièces nécessaires :

- 1 x Grille de cuisson A (n° 28)
- 2 x Grille de cuisson B (n° 29)
- 1 x Support chauffant (n° 30)

### Installation:

- Placez les grilles de cuisson côte à côte, sur le rebord de grille à l'intérieur du grill principal.
- Placez la grille de cuisson supérieure sur le rebord supérieur à l'intérieur du grill principal. Le support chauffant se verrouille en place.



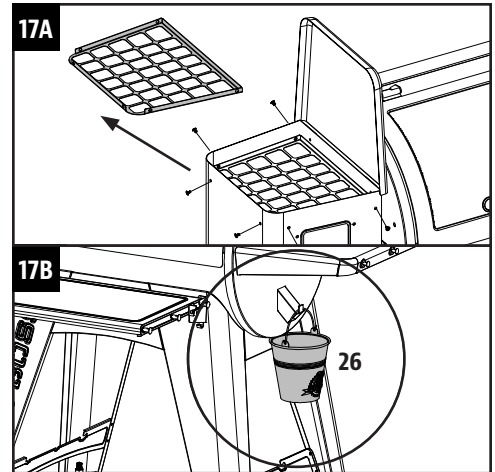
## 17. INSTALLATION DU SEAU À GRAISSE

### Pièces nécessaires :

- 1 x Seau à graisse (n° 26)

### Installation:

- Dévissez les six vis le long de l'extérieur de la trémie fixant l'écran de sécurité de la trémie sur l'intérieur, et retirez l'écran de sécurité, pour accéder au seau à graisse. Remettez l'écran de sécurité de la trémie en place, et réinstallez les six vis pour la fixation. Consultez l'illustration 17A.
- Place the Grease Bucket on the spout hook on the end of the Main Barrel. Ensure it is level to avoid grease spills. Note illustration 17B.
- L'appareil est désormais entièrement assemblé.



## 18. CONNEXION À UNE SOURCE D'ALIMENTATION

**REMARQUE :** Avant de brancher votre Pit Boss dans une prise électrique, assurez-vous que le cadran de réglage des températures est en position OFF.

### • PRISE STANDARD

Cet appareil nécessite un voltage de 110-120 Volts, 60hz, 250w. Il doit utiliser une fiche de mise à la terre à 3 broches. Assurez-vous que la mise à la terre n'est pas rompue avant utilisation. Le contrôle utilise un fusible à action rapide et 110-120 volts pour protéger le panneau de l'allumeur.

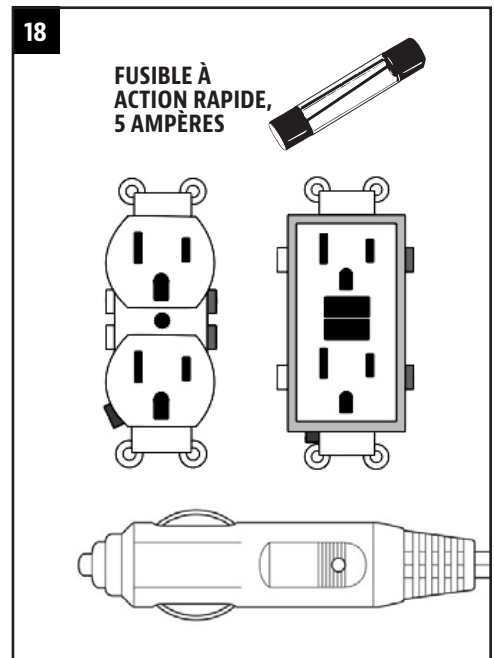
### • LES PRISES GFCI

Cet appareil fonctionnera sur la plupart des prises GFCI, avec une taille recommandée de 15 ampères. Si votre prise GFI est très sensible aux surtensions, elle sera probablement touchée par un court-circuit pendant la phase d'allumage. Pendant la phase d'allumage, l'allumeur nécessite entre 200 et 700 watts de tension, ce qui peut représenter trop de puissance pour une prise GFI. Chaque fois qu'il y a une surtension, il augmente sa sensibilité. Si le GFCI continue de sauter, remplacez la prise ou passez à une prise non GFCI.

### • SUR LA ROUTE

Débranchez l'allumeur du faisceau de câbles principal. Utilisez la procédure de démarrage manuelle. Une unité Pit Boss peut fonctionner en utilisant un onduleur de 12 volts et 100 watts branché sur votre prise automobile. Pour utiliser l'allumeur automatique, il est recommandé d'utiliser au minimum un onduleur de 1000 watts.

**IMPORTANT:** Débranchez l'appareil de la source d'alimentation lorsqu'il n'est pas utilisé.



**Reportez-vous au mode d'emploi pour les instructions d'utilisation.**

# ÍNDICE

Piezas y especificaciones .....	22
Preparación del montaje .....	24
Instrucciones de montaje	
Sujeción de los pies a las patas de soporte.....	24
Sujeción de las placas de soporte y las ruedas	
pivotantes .....	25
Sujeción de las placas de soporte y las ruedas.....	25
Sujeción de la placa de soporte a las patas de soporte	
para ruedas.....	26
Sujeción de la placa de soporte a las patas de soporte	
para ruedas pivotantes .....	26
Montaje del tambor principal al carro .....	26
Sujeción de las placas de soporte a la parrilla .....	27
Instalación del tapón de la tapa .....	27
Instalación del asa de la tapa .....	27
Coloque la placa difusora .....	27
Instalación de los componentes de la parrilla .....	28
Instalación del regulador de la parrilla .....	28
Instalación del estante lateral.....	29
Sujeción de los soportes de los estantes delanteros .....	29
Instalación del estante delantero.....	29
Instalación de los componentes de cocina a la parrilla.....	30
Instalación del recoge grasa .....	30
Conexión a una fuente de alimentación.....	30



## AVISO DE COPYRIGHT

Copyright 2021. Todos los derechos reservados. Ninguna parte de este manual se puede copiar, transmitir, transcribir, almacenar en un sistema de recuperación, de ninguna forma ni por cualquier medio sin una autorización expresa por escrito de:

### **Dansons**

3411 North 5th Avenue, Suite 500, Phoenix, AZ, USA 85013

sales@pitboss-grills.com | service@pitboss-grills.com

**www.pitboss-grills.com**

### **Atención al cliente**

De lunes a domingo, de 4:00 a. m. a 8:00 p. m., hora del Pacífico (PST) (EN/FR/ES)

**Llamada gratuita: 1-877-303-3134. Fax: 1-877-303-3135**

# PIEZAS Y ESPECIFICACIONES

N.º de referencia	Descripción
1	Tapón de la tapa (x1)
2	Asa de la tapa (x1)
3	Bisel de asa de la tapa (x2)
4	Conjunto de tambor principal/tolva (x1)
5	Regulador de la parrilla (x1)
6	Asa del regulador de la parrilla (x1)
7	Guía de la parrilla (x1)
8	Placa principal de la parrilla (x1)
9	Pata delantera izquierda (x1)
10	Pata trasera izquierda (x1)
11	Pata delantera derecha (x1)
12	Pata trasera derecha (x1)
13	Remate de la pata delantera izquierda (x1)
14	Remate de la pata trasera izquierda (x1)
15	Rueda pivotante de cierre (x2)
16	Rueda (x2)
17	Placa de soporte inferior derecha (x1)
18	Placa de soporte inferior izquierda (x1)
19	Placa de soporte corta (x2)
20	Placa de soporte delantera larga (x1)
21	Placa de soporte trasera larga (x1)
22	Estante delantero (x1)
23	Placa difusora (x1)
24	Soporte del estante delantero derecho (x1)
25	Soporte del estante delantero izquierdo (x1)
26	Recogegrasa (x1)
27	Mesa lateral derecha (x1)
28	Rejilla para cocinar A (x1)
29	Rejilla para cocinar B (x2)
30	Bandeja para calentar (x1)
31	Termómetro de carne (x2)

N.º de referencia	Descripción
A	Tornillos (x18)
B	Arandelas (x18)
C	Arandelas de retención (x18)
D	Tornillos (x30)
E	Tornillos (x6)
F	Clavija de eje de rueda (x2)
G	Clavija de la rueda (x2)
H	Arandelas de rueda (x2)

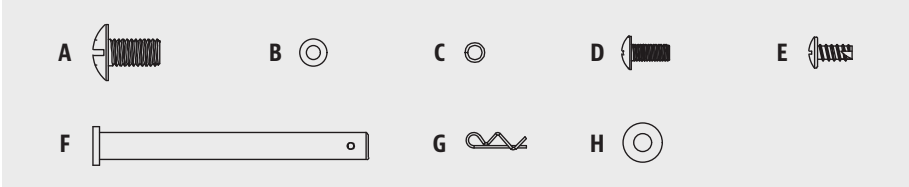
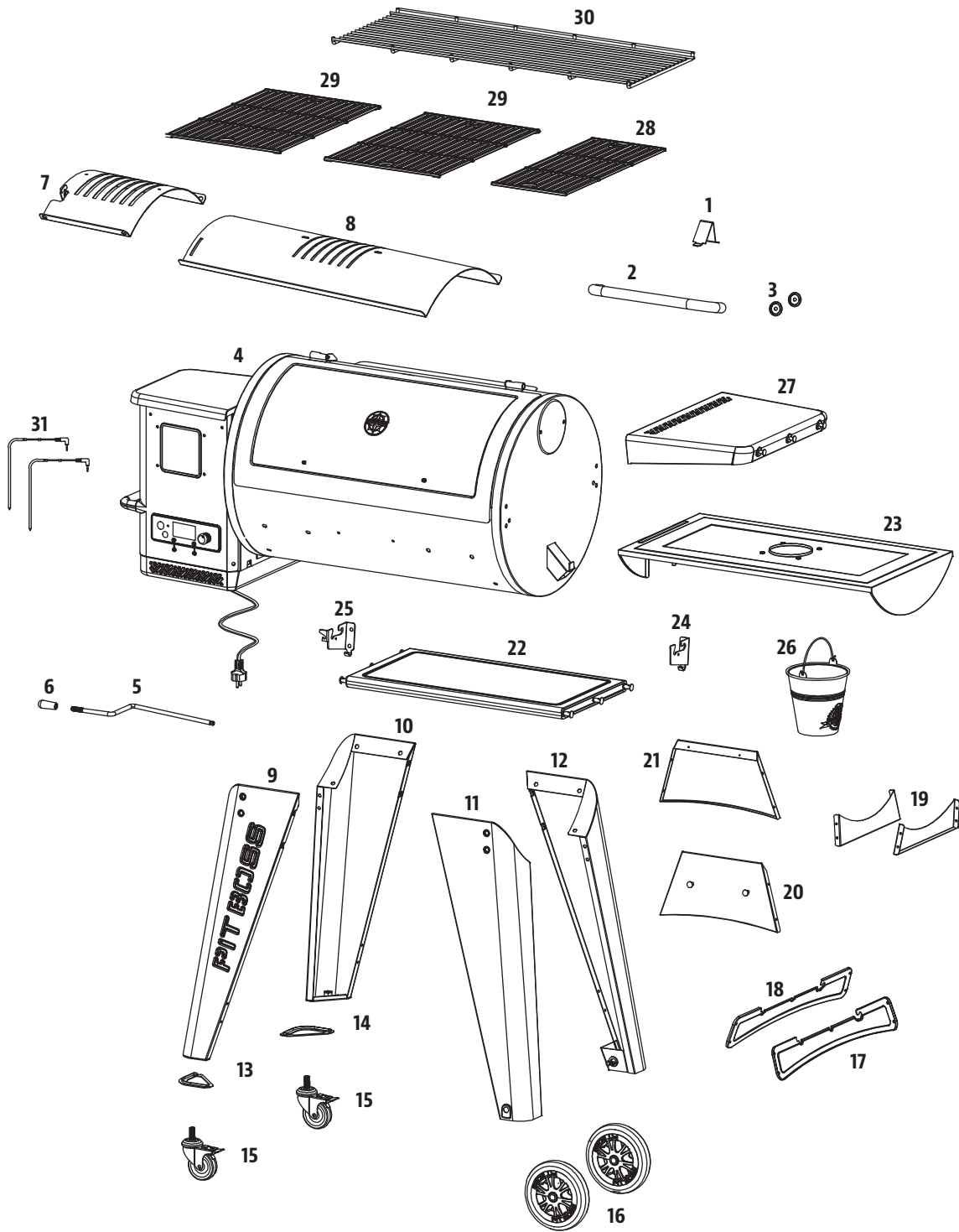
NOTA: debido a que el producto está en desarrollo constante, las piezas están sujetas a cambios sin previo aviso. Póngase en contacto con el equipo de Atención al Cliente si durante el montaje de la unidad observa que falta alguna pieza.

**PB – REQUISITOS ELÉCTRICOS**  
**ENCHUFE DE 3 CLAVIJAS CON CONEXIÓN A TIERRA DE**  
**110-120 V, 60 HZ, 250 W**

Ilustración en la página siguiente.

MODELO	UNIDAD MONTADA (AxApP)	PESO	ÁREA DE COCINA	RANGO DE TEMPERATURA
PB PB1150G	1622MM X 1195MM X 940MM / 63,86" X 47" X 37"	84 KG / 185,19 LB	PRINCIPAL - 4587,1 CM <sup>2</sup> / 711 PU. CU. BANDEJA SUPERIOR- 2883,9 CM <sup>2</sup> / 447 PU. CU. TOTAL - 7471 CM <sup>2</sup> / 1158 PU. CU.	82-260°C / 180-500°F

# PIEZAS Y ESPECIFICACIONES



# PREPARACIÓN DEL MONTAJE

Las piezas están incluidas en el embalaje de envío, incluso debajo de la parrilla. Inspeccione las piezas, de la parrilla, y en el blíster del equipo una vez retirado el embalaje de envío protector. Tire todos los materiales de embalaje dentro y fuera de la barbacoa antes de proceder al montaje, y revise e inspeccione todas las piezas cotejándolas con la lista de piezas. Si alguna pieza falta o está dañada, no intente realizar el montaje. Los daños causados por el envío no está cubierto por la garantía. Póngase en contacto con su distribuidor o con la Atención al cliente de Pit Boss para piezas: lunes a viernes de 4 a 20 h. PST (EN/FR/ES).

service@pitboss-grills.com | Llamada gratuita: 1-877-303-3134 | Fax gratuito: 1-877-303-3135

**IMPORTANTE:** para facilitar la instalación y evitar lesiones, monte esta unidad entre dos personas.

**Herramientas necesarias para el montaje:** destornillador y nivel. *No se incluyen herramientas.*



# INSTRUCCIONES DE MONTAJE

**IMPORTANTE:** se aconseja leer cada paso en su totalidad antes de comenzar el montaje según las instrucciones. No apriete los tornillos por completo hasta que no se hayan instalado todos los tornillos de ese paso. La combinación de cerrajería compuesta por una arandela de retención y una arandela debe instalarse con la arandela de retención más cerca del tornillo.

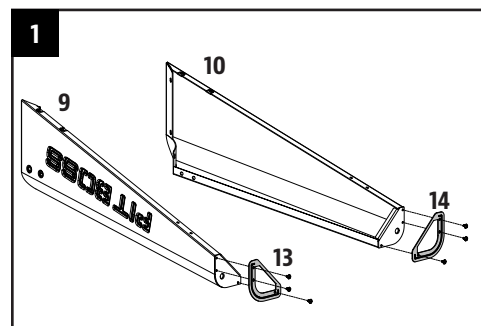
## 1. SUJECIÓN DE LOS PIES A LAS PATAS DE SOPORTE

**Piezas necesarias:**

- 1 x Pata delantera izquierda (#9)
- 1 x Pata trasera izquierda (#10)
- 1 x Remate de la pata delantera izquierda (#13)
- 1 x Remate de la pata trasera izquierda (#14)
- 6 x Tornillos (#D)

**Instalación:**

- Use tres tornillos para sujetar el remate de la pata delantera izquierda a la pata delantera izquierda para la rueda pivotante de cierre. A continuación, instale la pata trasera izquierda de la rueda pivotante de cierre y el remate de la pata trasera izquierda.



## 2. SUJECIÓN DE LAS PLACAS DE SOPORTE Y LAS RUEDAS PIVOTANTES

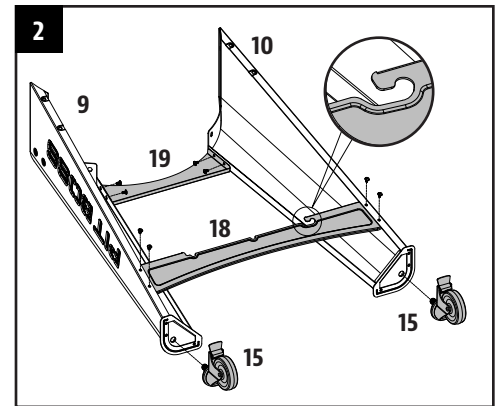
### Piezas necesarias:

- 1 x Pata delantera izquierda (#9)
- 1 x Pata trasera izquierda (#10)
- 1 x Placa de soporte inferior izquierda (#18)
- 1 x Placa de soporte corta (#19)
- 2 x Rueda pivotante de cierre (#15)
- 8 x Tornillos (#D)

### Instalación:

- Instale una placa de soporte corta al lado de la unidad, entre las patas de soporte delanteras y traseras, usando cuatro tornillos. Repita la misma instalación para montar la placa de soporte inferior a las mismas patas.
- Inserte cada rueda pivotante de cierre en la parte inferior de cada pata de soporte, ajustándola a mano en el orificio. Asegúrese de que la rueda pivotante de cierre haya quedado totalmente insertada, de forma que no pueda girar más.

**NOTA: Asegúrese de que la placa de soporte inferior quede orientada hacia arriba en la dirección correcta.**



## 3. SUJECIÓN DE LAS PLACAS DE SOPORTE Y LAS RUEDAS

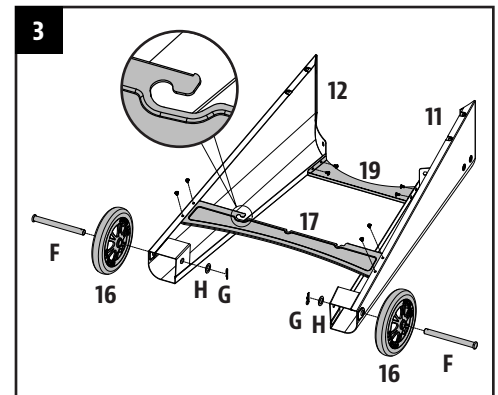
### Piezas necesarias:

- 1 x Pata delantera derecha (#11)
- 1 x Pata trasera derecha (#12)
- 1 x Placa de soporte inferior derecha (#17)
- 1 x Placa de soporte corta (#19)
- 2 x Rueda (#16)
- 8 x Tornillos (#D)
- 2 x Clavija de eje de rueda (#F)
- 2 x Clavija de la rueda (#G)
- 2 x Arandelas de rueda (#H)

### Instalación:

- Instale una placa de soporte corta al lado de la unidad, entre las patas de soporte delanteras y traseras, usando cuatro tornillos. Repita la misma instalación para montar la placa de soporte inferior a las mismas patas.
- Monte la rueda grande a la pata de soporte insertando la clavija de eje de la rueda a través de la rueda y el orificio de la pata, y luego sujétela con la clavija de la rueda. Repita la instalación para la otra rueda del mismo lado.

**NOTA: Asegúrese de que la placa de soporte inferior quede orientada hacia arriba en la dirección correcta**



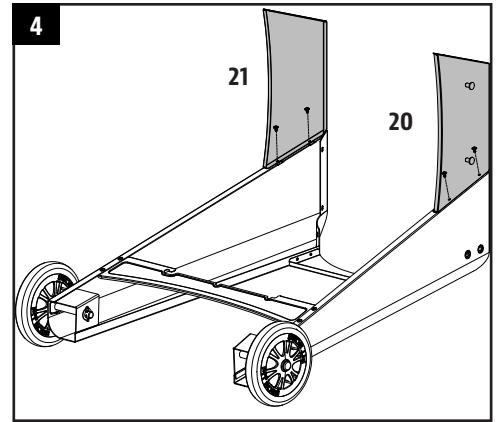
#### 4. SUJECIÓN DE LA PLACA DE SOPORTE A LAS PATAS DE SOPORTE PARA RUEDAS

##### Piezas necesarias:

- 1 x Placa de soporte delantera larga (#20)
- 1 x Placa de soporte trasera larga (#21)
- 4 x Tornillos (#D)

##### Instalación:

- Fije una placa de soporte larga a una pata de soporte para ruedas usando dos tornillos. Asegúrese de que el lado plano de la placa de soporte quede orientado hacia fuera. Repita la misma instalación para montar la otra placa de soporte larga en la otra pata de soporte.



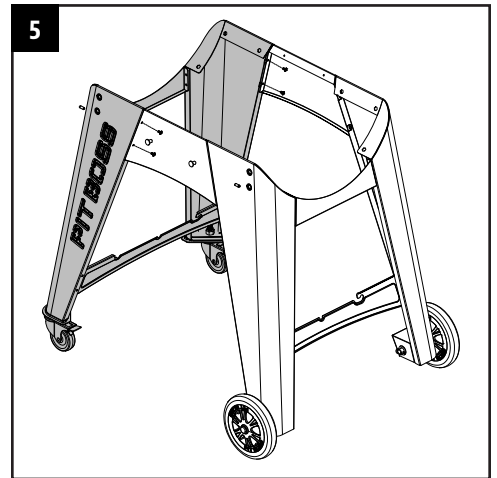
#### 5. SUJECIÓN DE LA PLACA DE SOPORTE A LAS PATAS DE SOPORTE PARA RUEDAS PIVOTANTES

##### Piezas necesarias:

- 4 x Tornillos (#D)

##### Instalación:

- A continuación, fije las placas de soporte largas a las patas de soporte de la rueda pivotante. Sujételas usando dos tornillos en cada placa.



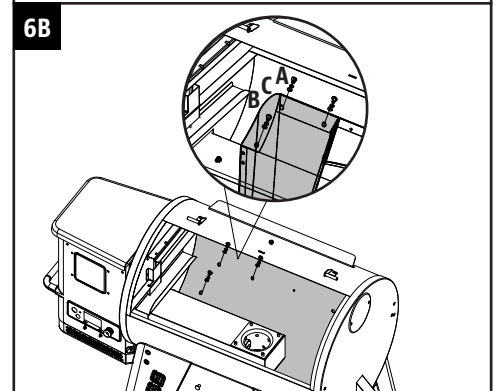
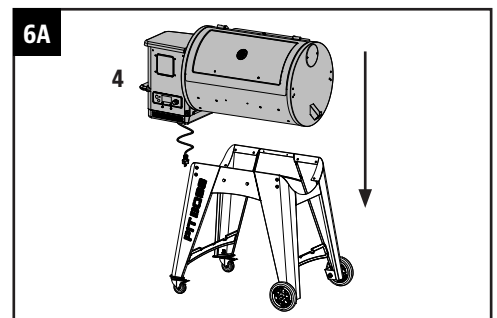
#### 6. MONTAJE DEL TAMBOR PRINCIPAL AL CARRO

##### Piezas necesarias:

- 1 x Conjunto de tambor principal/tolva (#4)
- 12 x Tornillos (#A)
- 12 x Arandelas (#B)
- 12 x Arandelas de retención (#C)

##### Instalación:

- Prepare el tambor principal para montarlo en el carro. Con cuidado, ponga el carro de pie con las ruedas en la parte inferior. Coloque el carro junto al tambor principal y asegúrese de que ambas piezas queden orientadas en la misma dirección. Bloquee las ruedas pivotantes del carro. Con la ayuda de otra persona, prepárese para levantar el tambor principal sobre el carro. Para ello, una persona debe levantar el tambor por el lado de la tolva y la otra por el extremo opuesto; levante el tambor principal con cuidado y bájelo lentamente sobre el carro. Consulte la ilustración 6A.
- A continuación, abra la tapa del tambor principal. Ajuste la rotación según sea necesario para alinear los orificios de los tornillos del tambor principal con los del carro. Después de colocar el tambor, sujete cada una de sus patas usando tres tornillos, arandelas y arandelas de retención. Consulte la ilustración 6B.



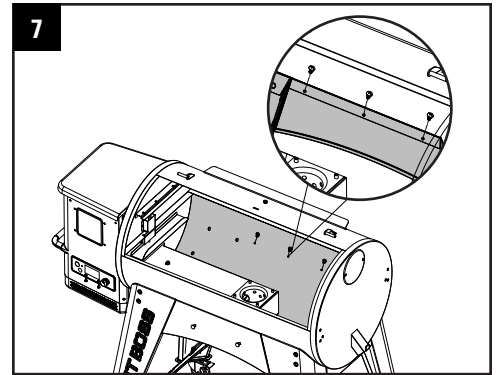
## 7. SUJECIÓN DE LAS PLACAS DE SOPORTE A LA PARRILLA

### Piezas necesarias:

6 x Tornillos (#E)

### Instalación:

- Fije cada placa de soporte larga al tambor principal usando tres tornillos.



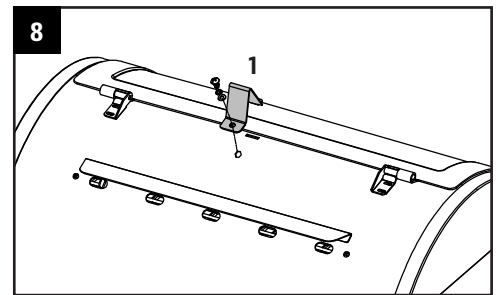
## 8. INSTALACIÓN DEL TAPÓN DE LA TAPA

### Piezas necesarias:

1 x Tapón de la tapa (#1)

### Instalación:

- Fije el tapón de la tapa sobre el tambor principal usando el tornillo preinstalado en la parte superior del tambor principal.



## 9. INSTALACIÓN DEL ASA DE LA TAPA

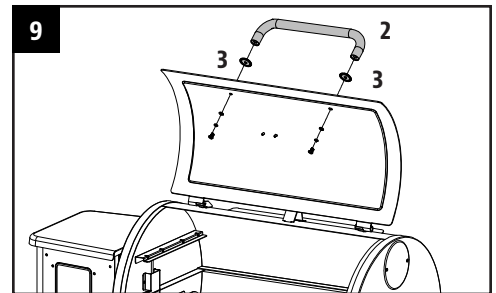
### Piezas necesarias:

1 x Asa de la tapa (#2)

2 x Bisel de asa de la tapa (#3)

### Instalación:

- Saque los tornillos preinstalados del asa de la tapa. Desde dentro de la tapa del tambor, coloque un tornillo hasta que sobresalga hacia el exterior. Añada un bisel al tornillo. A continuación, apriete el tornillo a mano (desde dentro) en el asa de la tapa. Repita estos pasos en el otro lado.



## 10. COLOQUE LA PLACA DIFUSORA

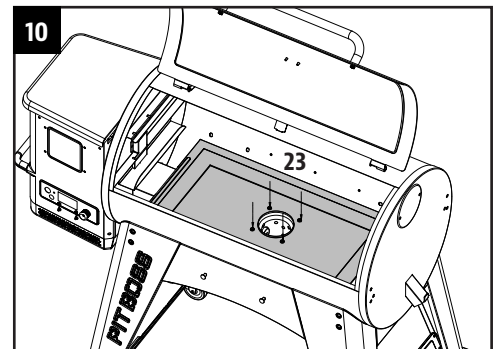
### Piezas necesarias:

1 x Placa difusora (#23)

### Instalación:

- Vuelva a colocar la placa difusora en el tambor principal.

**NOTA:** Asegúrese de que los cuatro orificios de la placa difusora estén correctamente alineados con los cuatro tornillos del foso del quemador.



## 11. INSTALACIÓN DE LOS COMPONENTES DE LA PARRILLA

### Piezas necesarias:

- 1 x Placa principal de la parrilla (#8)
- 1 x Guía de la parrilla (#7)

### Instalación:

- Inserte la placa principal de la parrilla en la parrilla principal. Apoye la placa principal de la parrilla en el saliente integrado (lado derecho interior) de la parrilla principal que dirige la grasa hacia la boquilla del recoge-grasa. Deslice toda la pieza hacia la izquierda y las dos ranuras de la placa principal de la parrilla encajarán en el saliente redondeado encima del foso del quemador. Se inclinará ligeramente hacia abajo. Consulte la ilustración 11A.

**IMPORTANTE:** Si la placa principal está apoyada en la base del tambor, se instaló de forma incorrecta. Una instalación incorrecta puede provocar daños en el tambor principal de la parrilla.

- Coloque la guía de la parrilla sobre la placa principal de la parrilla, cubriendo las aperturas ranuradas. Asegúrese de que la pestaña levantada esté a la izquierda y que las dos clavijas de la parte inferior de la guía de la parrilla encajen en los orificios de la placa principal de la parrilla para ajustarla fácilmente a las llamas directas e indirectas durante el asado. **NOTA:** Las piezas de la parrilla tienen una fina capa de aceite para evitar la corrosión durante el envío. Consulte la ilustración 11B.

**NOTA:** Para mantener óptima la capacidad de dorar y asar de las rejillas para cocinar, se requiere de un cuidado y mantenimiento frecuentes. Consulte el Manual del Propietario.

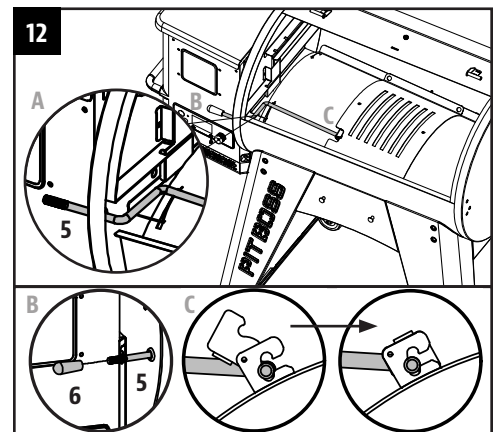
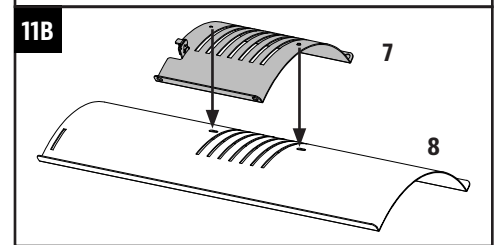
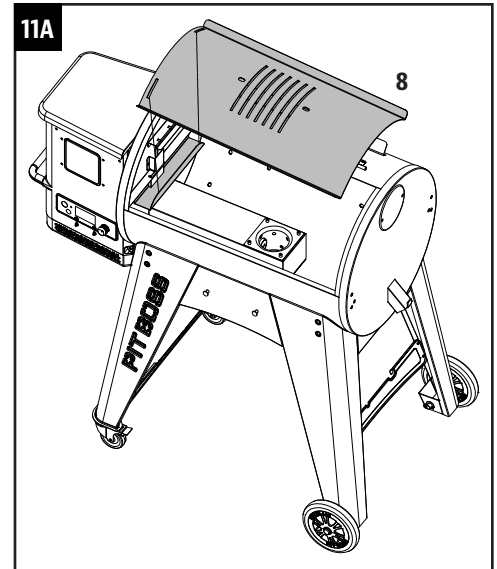
## 12. INSTALACIÓN DEL REGULADOR DE LA PARRILLA

### Piezas necesarias:

- 1 x Regulador de la parrilla (#5)
- 1 x Asa del regulador de la parrilla (#6)

### Instalación:

- Inserte el regulador de la parrilla a través del orificio de apertura del lado izquierdo del tambor principal. Añada el asa del regulador de la parrilla en el extremo que queda fuera del tambor. A continuación, deslice el extremo del regulador que tiene una muesca en la pestaña de bloqueo de la guía de la parrilla; esto le permite acceder a la guía de la parrilla de la placa principal para ajustarla.



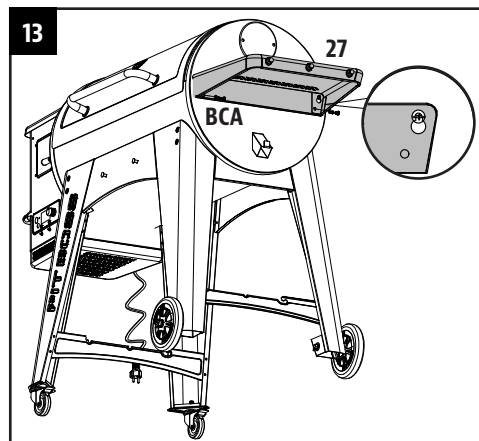
### 13. INSTALACIÓN DEL ESTANTE LATERAL

#### Piezas necesarias:

- 1 x Mesa lateral derecha (#27)
- 2 x Tornillos (#A)
- 2 x Arandelas (#B)
- 2 x Arandelas de retención (#C)

#### Instalación:

- Afloje los dos tornillos preinstalados del lado del tambor principal. Primero, enganche el estante lateral sobre los tornillos en primer lugar, y luego apriete los dos tornillos previamente aflojados en su lugar.
- Desde la parte inferior, sujete el estante lateral al panel lateral del tambor principal usando dos tornillos, arandelas de retención y arandelas.



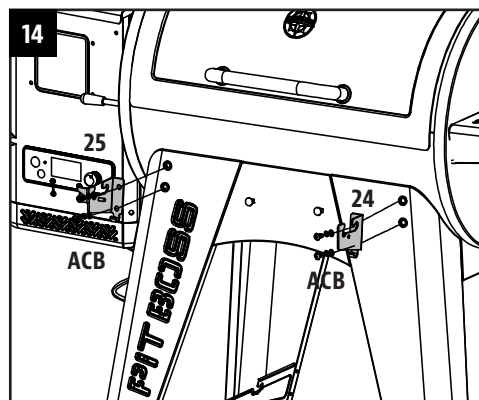
### 14. SUJECIÓN DE LOS SOPORTES DE LOS ESTANTES DELANTEROS

#### Piezas necesarias:

- 1 x Soporte del estante delantero derecho (#24)
- 1 x Soporte del estante delantero izquierdo (#25)
- 4 x Tornillos (#A)
- 4 x Arandelas (#B)
- 4 x Arandelas de retención (#C)

#### Instalación:

- Fije cada soporte del estante delantero a la pata de soporte delantera usando dos tornillos, arandelas y arandelas de retención.



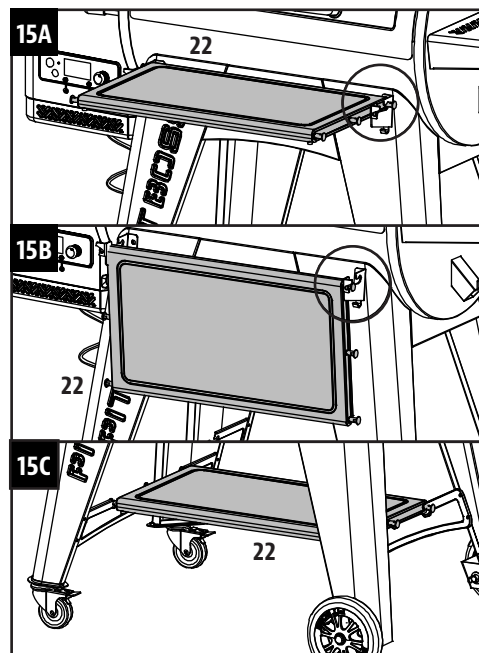
### 15. INSTALACIÓN DEL ESTANTE DELANTERO

#### Piezas necesarias:

- 1 x Estante delantero (#22)

#### Instalación:

- Coloque el estante delantero en los soportes para el estante delantero. Consulte el estante delantero desplegado en la ilustración 15A a modo de referencia.
- Consulte el estante delantero plegado en la ilustración 15B a modo de referencia.
- También es posible colocar el estante delantero en las placas de soporte inferiores y utilizarlo como placa inferior. Consulte la ilustración 15C.



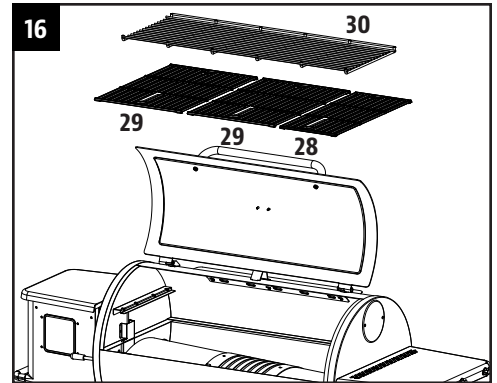
## 16. INSTALACIÓN DE LOS COMPONENTES DE COCINA A LA PARRILLA

### Piezas necesarias:

- 1 x Rejilla para cocinar A (#28)
- 2 x Rejilla para cocinar B (#29)
- 1 x Bandeja para calentar (#30)

### Instalación:

- Coloque las rejillas para cocinar, una al lado de la otra, sobre el saliente de la rejilla dentro de la parrilla principal.
- Coloque la rejilla para cocinar superior sobre el saliente superior de dentro de la parrilla principal. La bandeja para calentar quedará bloqueada en su lugar.



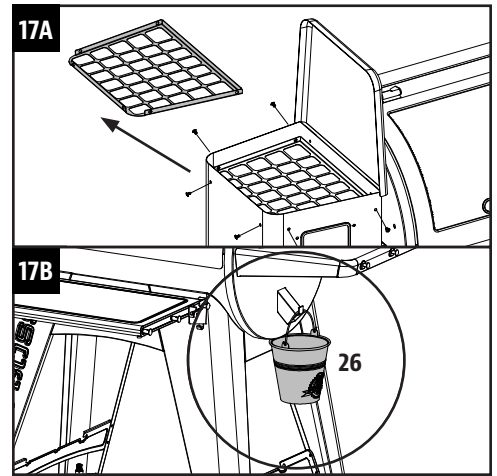
## 17. INSTALACIÓN DEL RECOGEGRASA

### Piezas necesarias:

- 1 x Recogegrasa (#26)

### Instalación:

- Desenrosque los seis tornillos del lado exterior de la tolva que fijan la pantalla de seguridad de la tolva al interior, y luego saque la pantalla de seguridad para poder acceder al recogegrasa. Vuelva a colocar la pantalla de seguridad de la tolva y fíjela usando los seis tornillos provistos. Consulte la ilustración 17A.
- Coloque el recogegrasa en el caño del extremo del tambor principal. Asegúrese de que esté nivelado para evitar el derramamiento de grasa. Consulte la ilustración 17B.
- La unidad está montada por completo.



## 18. CONEXIÓN A UNA FUENTE DE ALIMENTACIÓN ELÉCTRICA

**NOTA:** Antes de conectar su Pit Boss a un tomacorriente, asegúrese de que el control de temperatura se encuentra en la posición "OFF" ("APAGADO").

- **TOMACORRIENTE ESTÁNDAR**

Este aparato requiere servicio de 110-120 voltios, 60Hz, 250W. Debe usar un enchufe de 3 clavijas con conexión a tierra. Asegúrese de que la clavija de tierra no esté rota antes de usarlo. El control utiliza un fusible rápido y 110-120 voltios para proteger el circuito del encendedor.

- **TOMACORRIENTES GFCI**

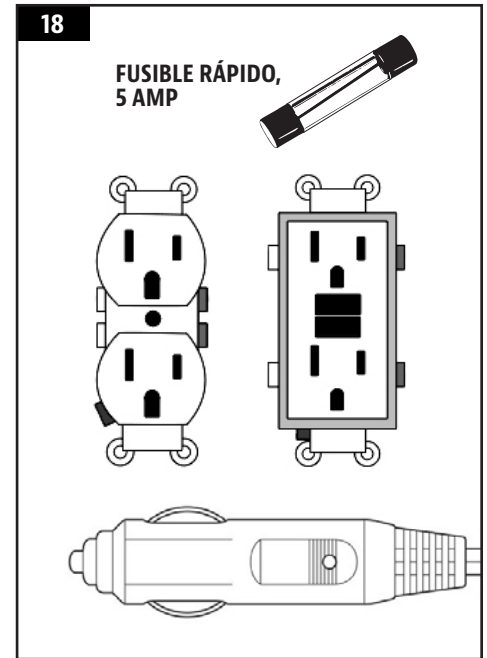
Este aparato funciona con la mayoría de los tomacorrientes GFCI, con una capacidad recomendada de 15 amps. Si su tomacorriente GFI es muy sensible a los picos de voltaje, muy probablemente se disparará durante la fase de arranque. Durante la fase de arranque, el encendedor consume de 200 a 700 watts de electricidad, que puede ser demasiado para un tomacorriente GFCI. Cada vez que se dispara, su sensibilidad aumenta. Si el GFCI se dispara constantemente, reemplace el tomacorriente o cámbielo por uno que no sea GFCI.

- **EN CUALQUIER LUGAR**

Desconecte el encendedor de la alimentación principal. Use el procedimiento de arranque manual. Una unidad Pit Boss puede operar con un invertidor de 12 volts, 100 watts conectado a su automóvil. Para usar el encendedor automático, se recomienda que utilice un invertidor de por lo menos 1000 watts.

**IMPORTANTE:** Desconecte la unidad de la fuente de alimentación cuando no esté en uso.

**IMPORTANTE:** Consulte las instrucciones de uso en el Manual del Propietario.



# IMPORTANT

## DO NOT RETURN PRODUCT TO STORE

For all questions, comments, or inquiries, please contact Dansons directly. Our Customer Service department is available **Monday through Sunday, 4am - 8pm PST (EN/FR/ES).**

**TOLL FREE: 1-877-303-3134 | TOLL FREE FAX: 1-877-303-3135**  
**service@pitboss-grills.com**

# IMPORTANT

## NE RETOURNEZ PAS LE PRODUIT AU MAGASIN

Pour toute questions, commentaires ou demandes de renseignements, veuillez communiquer avec Dansons directement. Le service à la clientèle est ouvert du **lundi au dimanche, de 4 h à 20 h HP (ANG / FR / ES).**


**NUMÉRO SANS FRAIS : 1-877-303-3134 | TÉLÉCOPIEUR SANS FRAIS : 1-877-303-3135**  
**service@pitboss-grills.com**

# ¡IMPORTANTE!

## NO DEVUELVA EL PRODUCTO A LA TIENDA

Para el preguntas, comentarios o consultas, por favor contactar Dansons directamente. Nuestro departamento de servicio al cliente está disponible **lunes a viernes de 4:00 a.m. a 8:00 p.m. tiempo del Pacífico.**

**LLAMADA GRATUITA: 1-877-303-3134 | FAX GRATUITO: 1-877-303-3135**  
**service@pitboss-grills.com**

 **WARNING:** this product can expose you to chemicals including wood dust, which is known to the state of California to cause cancer. Combustion of this product can expose you to chemicals including carbon monoxide, which is known to the state of California to cause birth defects or other reproductive harm. For more information go to [WWW.P65WARNINGS.CA.GOV](http://WWW.P65WARNINGS.CA.GOV)

 **AVERTISSEMENT :** ce produit peut vous exposer à des produits chimiques incluant la poussière de bois, connue par l'état de californie pour causer le cancer. La combustion de ce produit peut vous exposer à des produits chimiques incluant le monoxyde de carbone, connu par l'état de la californie comme causant des anomalies congénitales ou autres effets nocifs sur la reproduction. Pour accéder à d'autres informations, rendez-vous à [WWW.P65WARNINGS.CA.GOV](http://WWW.P65WARNINGS.CA.GOV)

 **ADVERTENCIA:** este producto este producto puede exponerlo a productos químicos incluyendo polvo de madera, que el estado de California sabe que provocan cáncer. La combustión del este producto puede exponerlo a productos químicos incluyendo al monóxido de carbono, que el estado de California sabe que causa defectos congénitos y otros daños reproductivos. Para obtener más información, visite [WWW.P65WARNINGS.CA.GOV](http://WWW.P65WARNINGS.CA.GOV)

MADE IN CHINA | FABRIQUÉ EN CHINE | HECHO EN CHINA



780210412UMV