



INSTALLATION INSTRUCTIONS

AUTOMATIC COFFEE SYSTEM

For use with models:

CM24T-1

CM24P-1

TABLE OF CONTENTS

About Safety Instructions	1	Installation Instructions	5-9
Important Safety Instructions	2-3	Steam Barrier	5
Design Specifications	4	Plumbing Installation	6
Overall Dimensions.....	4	Installing the Cabinet Guides	7
Technical Specifications.....	4	Installing the Coffee System in the Cabinet	8
Installation Specifications	4-5	Verifying Operation	8
Verifying Package Contents.....	4	Installation Checklist	9
Location Requirements.....	4	Notes	10-12
Nominal Cutout Dimensions	5		

IMPORTANT:

- INSTALLER:** In the interest of safety, read these installation instructions completely, before you begin the installation process. Leave these installation instructions with the homeowner.
- HOMEOWNER:** Keep these installation instructions for future reference. Save them for the local electrical inspector's use.

ABOUT SAFETY INSTRUCTIONS

What You Need to Know About Safety Instructions

Warnings and Important Safety Instructions appearing in this guide are not meant to cover all possible conditions and situations that may occur. Common sense, caution, and care must be exercised when installing, maintaining, or operating an appliance. Always contact Dacor about problems or conditions you do not understand.

Safety Symbols, Words, and Labels

▼ DANGER

DANGER – Immediate hazards which **WILL** result in severe personal injury or death.

▼ WARNING

WARNING – Hazards or unsafe practices which **COULD** result in severe personal injury or death.

▼ CAUTION

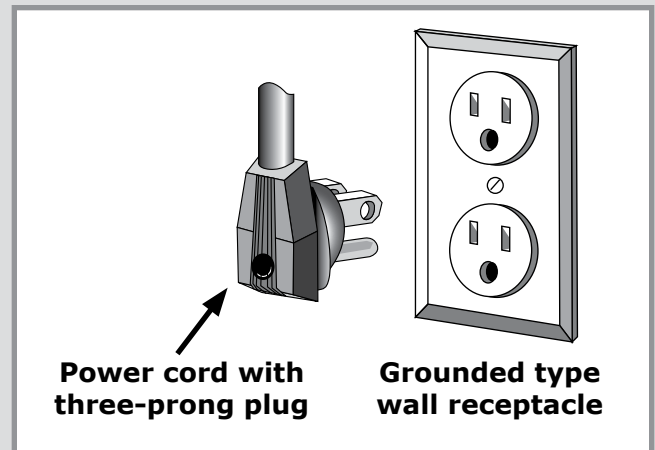
CAUTION – Hazards or unsafe practices which **COULD** result in minor personal injury or property damage.

▼ DANGER

IMPORTANT: Do not store or use combustible, flammable, or explosive vapors and liquids (such as gasoline) inside or in the vicinity of this or any other appliance.

IMPORTANT: Before performing any type of service or installation, make sure that electrical power to the coffee system is turned off or that power is disconnected.

IMPORTANT: This appliance is equipped with a three-prong grounding plug for protection against possible electric shock hazards. It must be plugged into a dedicated, grounded receptacle. Where a standard two-prong wall receptacle is encountered, it is the personal responsibility and obligation of the customer to have it replaced with a dedicated, properly grounded three-prong wall receptacle. Do not under any circumstances, cut or remove the third (ground) prong from the power cord. Do not use an adapter plug. Do not use an extension cord. Do not use a power cord that is frayed or damaged. The use of a ground fault interrupter (GFI) is not recommended.



IMPORTANT SAFETY INSTRUCTIONS

To reduce the risk of fire, electric shock, serious injury, or death when using your appliance, follow basic safety precautions, including the following:

WARNING

1. If the product is damaged, immediately contact the dealer or builder. Do not install or use a damaged appliance.
2. Do not use the coffee system until it has been properly installed by a qualified installer according to these installation instructions.
3. This appliance must be installed only by a qualified installer. The installer must show the user the location of the power connector and the fuse or junction box so that the user knows where and how to turn off power to the coffee system.
4. Do not install, repair, or replace any part of the coffee system unless specifically recommended in the literature accompanying it. A qualified service technician should perform all other service.
5. Do not install the unit in a free-standing cabinet. The cabinet and coffee system may tip over.
6. Keep packaging materials away from children. Plastic sheets and bags can cause suffocation
7. Use the coffee system only for tasks expected of a home appliance as outlined in the use and care manual. This appliance is not intended for commercial use.
8. **DO NOT PUSH ANY BUTTONS ON THE FRONT PANEL UNTIL ALL BODY PARTS AND CLOTHING ARE CLEAR OF THE BREWING COMPARTMENT. KEEP ALL BODY PARTS AWAY FROM THE BREWING COMPARTMENT DURING OR IMMEDIATELY AFTER DRINK DISPENSING. HOT LIQUIDS AND STEAM CAN CAUSE SEVERE BURNS.**
9. Only allow individuals to use the coffee system who are able to operate it properly.
10. Never allow anyone, including children to sit, stand, or climb on any part of the coffee system. Doing so may cause damage, serious injury, or death.
11. Do not leave children alone or unattended in the area around the coffee system. Do not allow children to play with the controls, or touch other parts of it.
12. Do not store items of interest to children on top of or above the coffee system. Children could be burned or injured while climbing on the appliance.
13. Do not tamper with the controls.
14. The coffee system must be cleaned thoroughly according to the Routine Cleaning Instructions in the use and care manual before operating it for the first time.
15. This coffee system must be cleaned and maintained according to the maintenance schedule in the use and care manual. Clean it only in the manner indicated in the use and care manual and using only the cleaning agents specified.
16. Do not use a steam or pressure cleaner to clean the coffee system or any part of it. Damage caused by cleaning the unit in this manner could result in electric shock, fire, or explosion.
17. When installing and cleaning the coffee system, exercise care with hands and arms around the metal edges.
18. Many metal surfaces behind the front panel and inside the brewing compartment are hot when the power switch is on. Exercise care around metal surfaces in these areas when the power switch is on.
19. Read the accompanying use and care instructions before operating the coffee system.

CAUTION

1. To prevent jamming of the grinding mechanism, use only the types of coffee beans specified in the use and care manual.
2. Remove the drip tray before closing the front panel door. Closing the front panel door without the drip tray removed could damage parts of the coffee system.
3. To prevent clogging of the internal parts, use only filtered water as specified on the facing page. Do not use distilled water.
4. Do not put any part of the coffee system in a dishwasher. Many of the parts are not dishwasher safe.
5. Keep the keys in a safe place. Replacement keys are not covered by the warranty.
6. To prevent damage to the control panel door, do not set the appliance on the floor or counter prior to installation.

IMPORTANT SAFETY INSTRUCTIONS

⚠ CAUTION

BEFORE INSTALLING THE COFFEE SYSTEM:

1. Use the right type of water:

Call the local water company. Ask them for the water hardness level of the water supplied to the building where the coffee system will be installed.

2. If the water hardness level is above four grains per gallon (4 gpg):

► For model CM24P: contact a water treatment specialist and have a water treatment system installed to reduce the water hardness level to 4 gpg or less.

► For model CM24T: during cleaning, testing, and normal use, pour only filtered water with a hardness level of 4 gpg or less into the water tank. Do not use distilled water.

Before operating the coffee system for the first time:

Clean and flush the coffee system according to the Routine Cleaning Instructions in the use and care manual.

Any questions or problems with this installation should be directed to your Dacor dealer or the Dacor Customer Service Department.

Dacor Customer Service

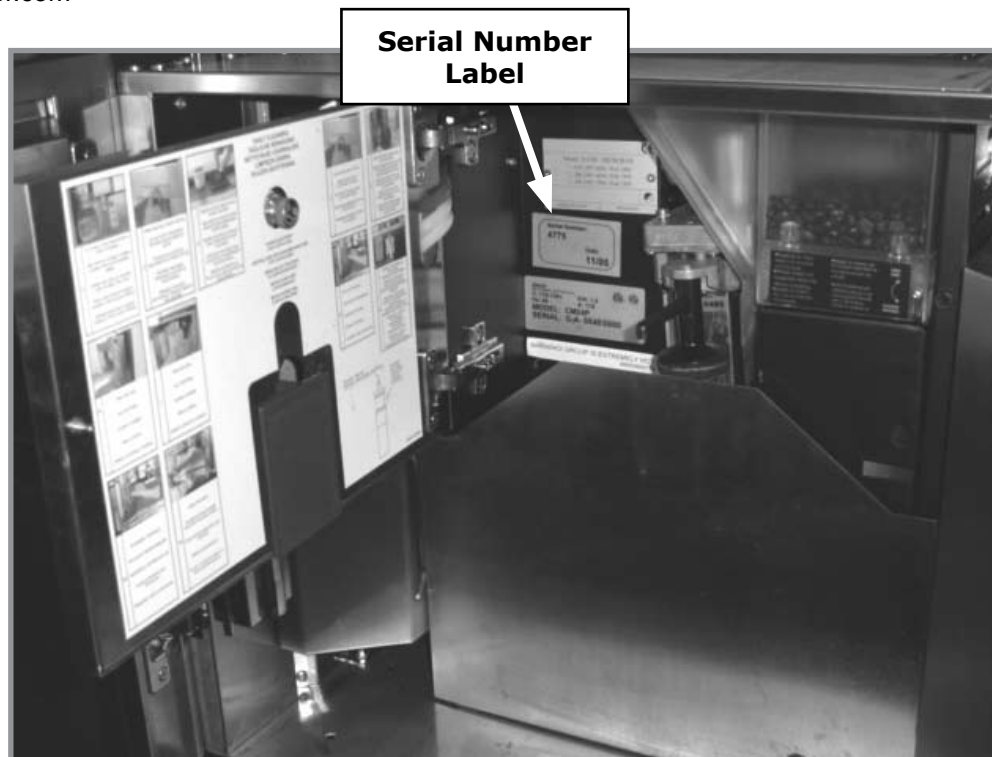
1-800-793-0093 (U.S.A. and Canada)

Monday — Friday 6:00 am to 5:00 pm Pacific Time

e-mail: customerservice@dacorworld.com.

website: www.dacor.com

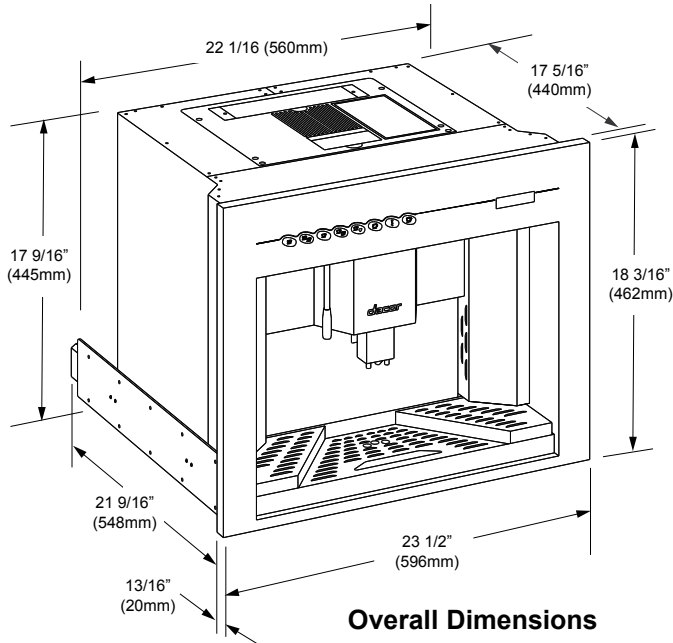
If the unit requires service, be sure to have the model and serial number available when you call. The model and serial number are on the data plate located inside the brewing unit door. See the use and care manual if you need instructions on how to open the front panel and brewing unit doors.



DESIGN SPECIFICATIONS

OVERALL DIMENSIONS

All dimensional tolerances are + 1/8", - 0" unless otherwise stated.



TECHNICAL SPECIFICATIONS

Power Requirements	120V, 60Hz, 20A dedicated circuit required
Total Connected Load	1.8kW (15A)
Power Cord Length	60 inches
Appliance Dimensions	Height: 18 3/16" (462mm) Depth: 18 1/8" (460mm) Width: 23 1/2" (597mm)
Unit Weight	110 lbs.
Shipping Weight	139 lbs.
Fresh Water Capacity	5 Liters/1.3 Gallons (Model CM24T only)
Minimum Regulated Input Pressure	1.5 Bar (21.8 psi) at regulator output connection
Maximum Regulated Input Pressure	3.0 Bar (43.5 psi) at regulator output connection
Water inlet diameter	1/4 inch (1/4-19 BSPP thread) (Model CM24P only)

INSTALLATION SPECIFICATIONS

VERIFYING THE PACKAGE CONTENTS

- Use & care manual
- Steam barrier
- 2 guide assemblies
- 6 1/16 " metal shims
- Mounting screws
- Detergent tablets (sample)
- Pressure regulator (model CM24P only)
- Pressure regulator bracket (model CM24P only)
- Pressure gauge (model CM24P only)
- Regulator gauge O-ring (model CM24P only)
- 3 quick release connectors (model CM24P only)
- Hose fitting, 1/4-19 BSPP to 1/4" (model CM24P only)
- Teflon tubing (model CM24P only)
- Spare tank O-ring (model CM24T only)
- Spare piston assembly O-ring
- Allen wrench (for grinder adjustment)
- Liquid detergent (sample)
- Anti-liming powder (sample)
- Measuring cup for ground coffee
- Cleaning brush
- Keys (located inside the left slide-out compartment)

- Statutory regulations and the connection specifications issued by the local power supply company must be strictly observed.
- The coffee system is supplied with a 60" (1524mm) long power cord terminated by a three-prong plug. The power cord is intended to be plugged directly into a dedicated, wall-mounted electrical receptacle.
- The correct voltage, frequency, and amperage must be supplied to the electrical receptacle from a grounded, dedicated, single phase circuit that is protected by a properly sized circuit breaker or time-delay fuse. If one is not installed, call a licensed electrician.
- The coffee system must be installed at a safe distance from other sources of heat, such as home appliances, in order to avoid an excessive rise in temperature.

NOTES:

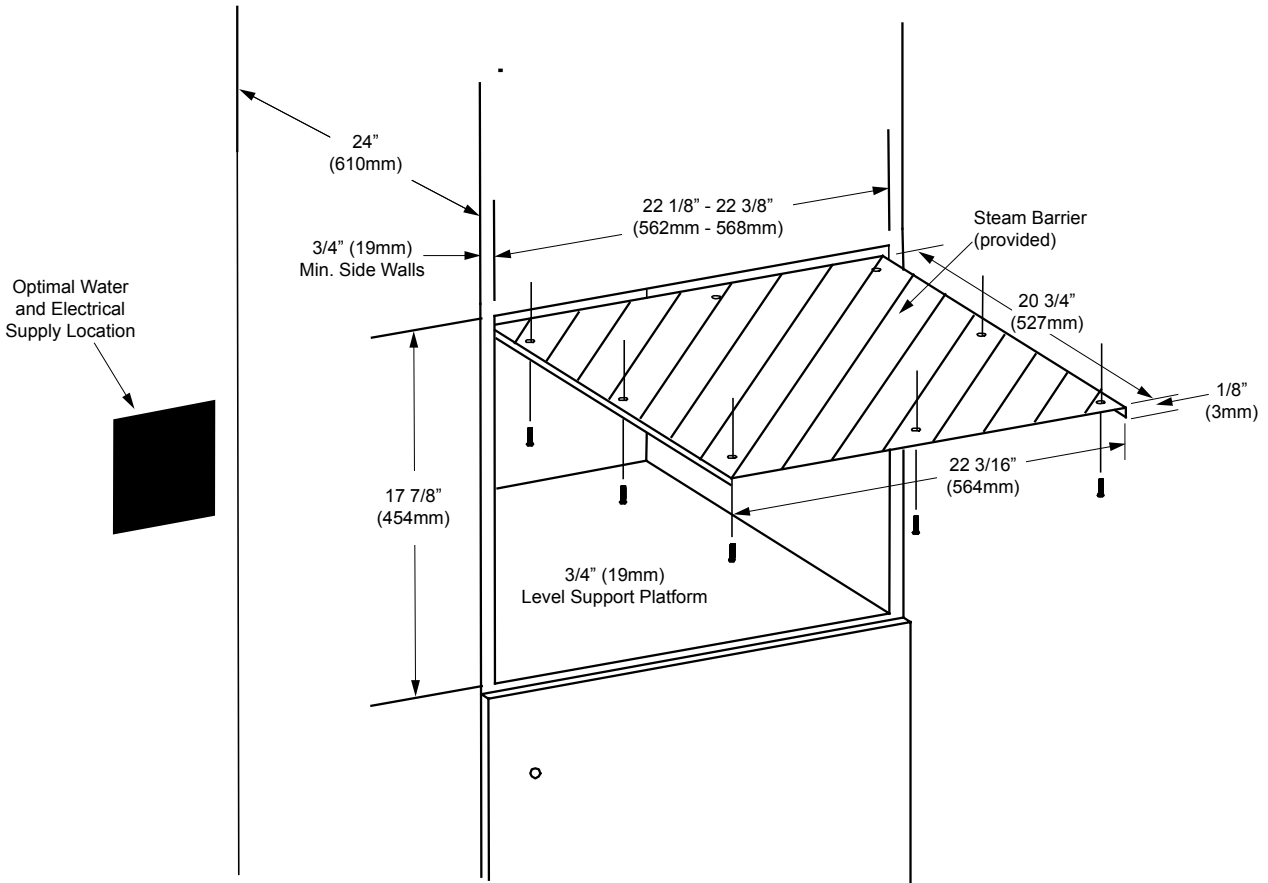
1. The electrical box and water shut off valve (for model CM24P) should be located in an adjacent cabinet.
2. The electric cord is located in the lower right rear corner on the back of the unit.
3. Connection to a water supply hose larger than 1/4", requires a 1/4-19 BSPP female thread hose fitting.
4. Do not install the unit in a free-standing cabinet.
5. To prevent damage to the appliance, do not set it on the floor or counter prior to installation.

LOCATION REQUIREMENTS

- Dacor cannot be held responsible for damage to property or injury to persons caused by failure to comply with the installation, maintenance, and safety instructions contained in this handbook.

INSTALLATION SPECIFICATIONS

NOMINAL CUTOUT DIMENSIONS

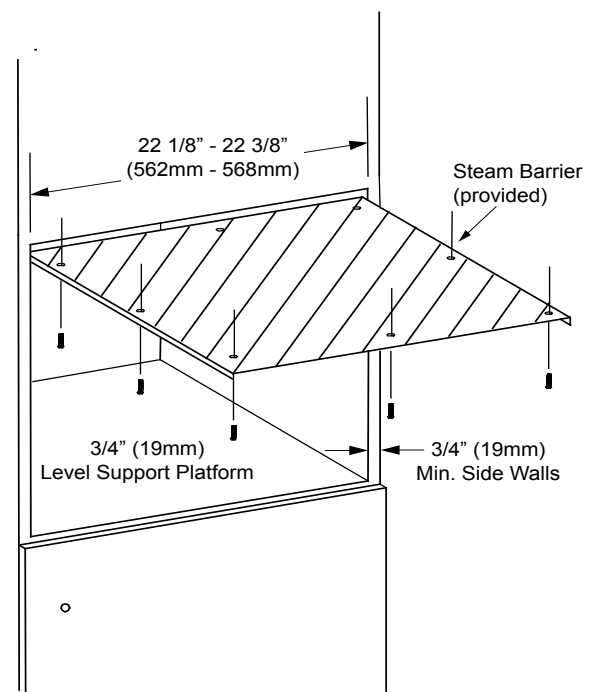


Cutout Dimensions

INSTALLATION INSTRUCTIONS

STEAM BARRIER

- Remove the coffee system from the packaging and inspect it for damage. Do not install a damaged system.
- Position the steam barrier 3" from the front face frame in the upper part of the top panel of the coffee system, and push it back towards the back wall of the cabinet cutout.
- Attach it with the eight provided screws.



Steam Barrier Installation

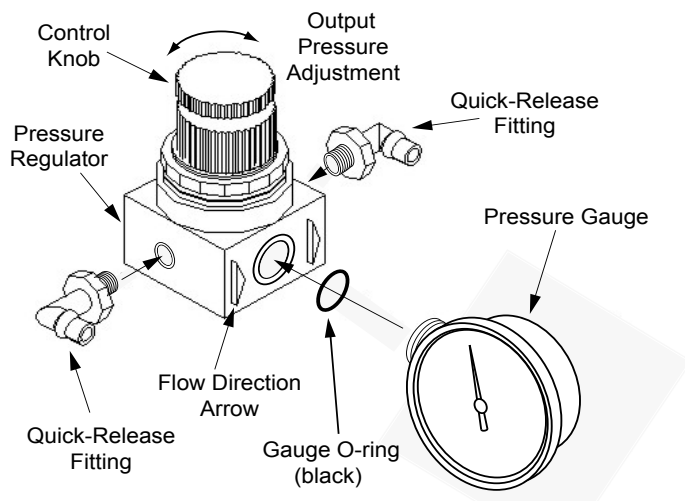
INSTALLATION INSTRUCTIONS

PLUMBING INSTALLATION (MODEL CM24P ONLY)

CAUTION

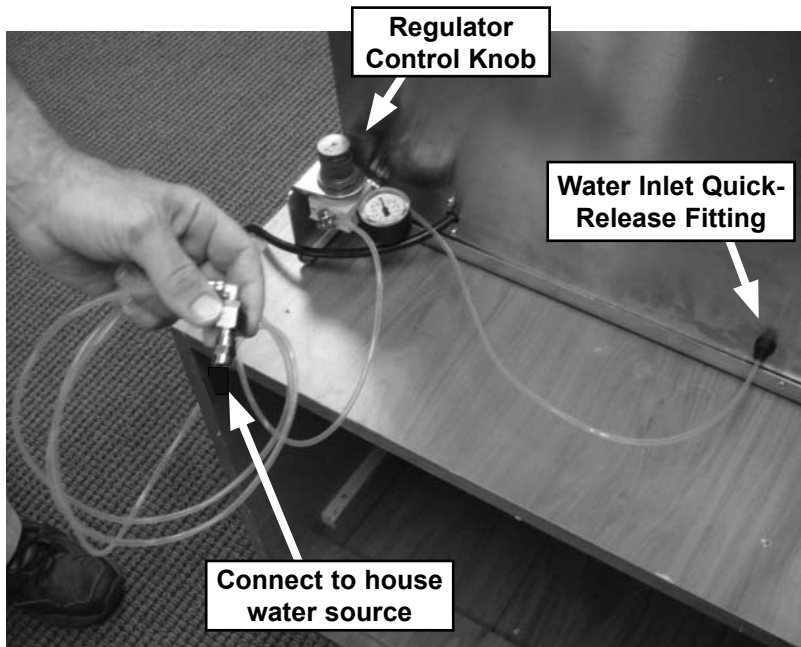
To prevent damage to the coffee system due to hard water, prior to installation check the water hardness for building where you will be installing the coffee system (see page 3). If necessary have a qualified water treatment specialist install a water treatment system. The water treatment system must be installed between the house plumbing and the coffee system regulator;

- Remove all of the parts from the regulator kit packaging. The kit includes 4mm (5/32") Teflon hoses, a pressure regulator, three quick-release fittings, a pressure gauge, and a mounting bracket.
- Assemble the pressure regulator gauge and two of the quick-release fittings as shown below.



Pressure Regulator Assembly

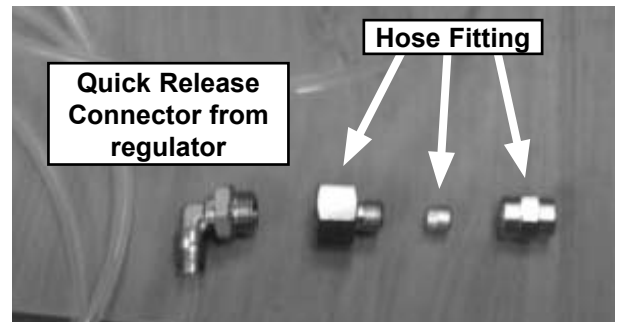
- Install the pressure regulator bracket on the back of the left or right guide at the back of the appliance as shown.
- Mount the pressure regulator on the bracket.



- Cut a section of the supplied \varnothing 4mm (5/32") Teflon hose long enough to connect between the coffee system water inlet quick-release fitting and the regulator without binding or kinking.
- Insert one end of the Teflon hose (\varnothing 4mm) into the quick-release fitting on the appliance. Then pull it out slightly to make sure that it is secure.
- Connect the hose connected to the appliance to the output of the regulator. Pay attention to the flow direction arrows on the pressure regulator.
IMPORTANT: If you connect the hoses to the regulator backwards, the water will not flow into the coffee system and it will not work.
- Insert the end of the second hose into the input on the regulator.
- Attach the third quick-release fitting to the second hose.
- With the main water valve is closed, attach the quick-release fitting to the house plumbing. You can use the included hose fitting to connect the quick connect to a 1/4" hose or water line (see below).
IMPORTANT: Connection to a house water supply with a diameter larger than 1/4" requires an adapter (not supplied). The adapter needs to have a 1/4-19 BSPP female thread to connect to the quick release.

Pressure Regulator:

IMPORTANT: The water pressure at the output of the pressure regulator may not exceed 3.0 bars/43.5 psi (1.5 bars/21.8 psi minimum). To adjust the output, pull the pressure regulator control knob out slightly. Turn it clockwise to increase the output pressure. Turn it counter-clockwise to reduce the pressure. After adjustment, gently push the control button back in.



House Fitting

INSTALLATION INSTRUCTIONS

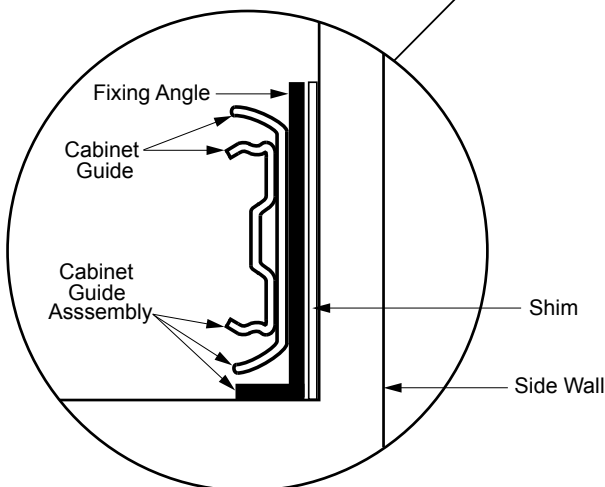
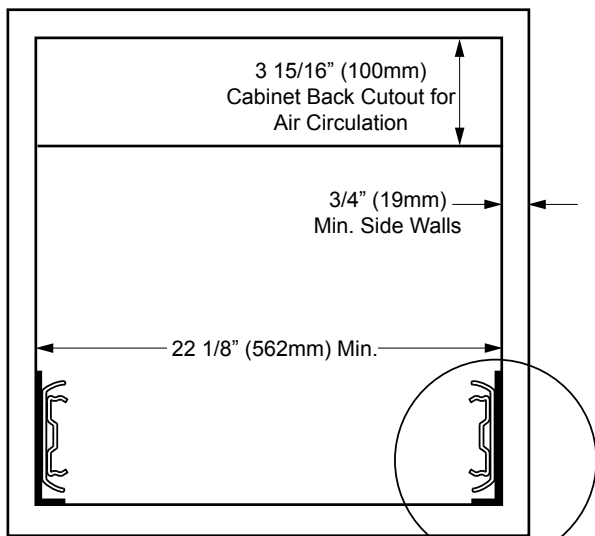
INSTALLING THE CABINET GUIDES

The cabinet guides mount to the inside of the cabinet. The guides on the coffee system slide into the cabinet guides. The guide system allows the coffee system to slide in and out of the cabinet for loading the coffee bins and for maintenance.

To install the cabinet guides:

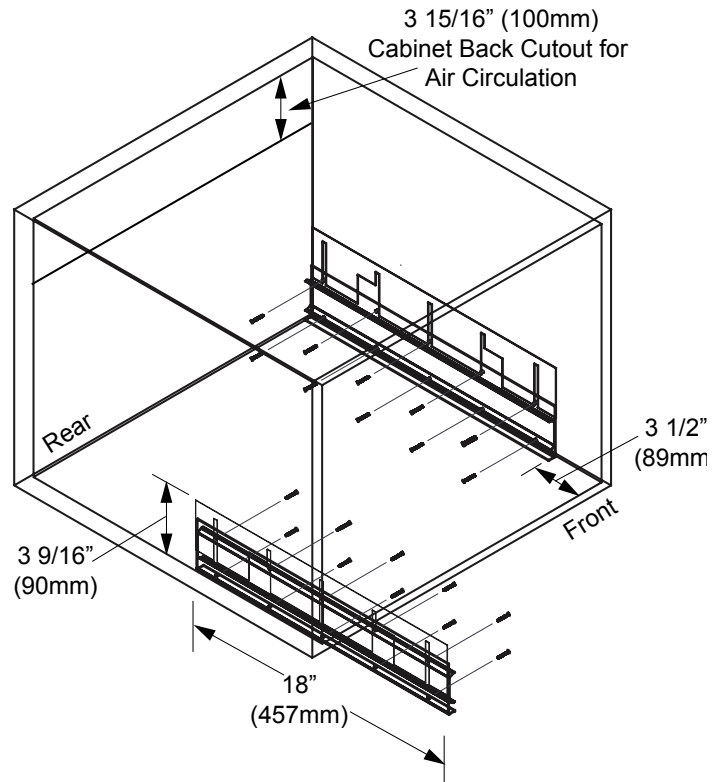
- Determine the number of shims required to mount the cabinet guide assemblies according to the chart and diagrams below. The appliance is supplied with six 1/16" (1mm) metal shims. Use the shims to position the fixing angles so that they are properly spaced. The appliance will not slide in and out of the cabinet properly if the fixing angles are not properly spaced.

Cutout Width	Number of Metal Shims Required
22 1/8" (562mm)	0
22 3/16" (564mm)	2 total (1 on each side)
22 1/4" (566mm)	4 total (2 on each side)
22 3/8" (568mm)	6 total (3 on each side)



Cabinet Guide Assembly and Shims

- Put the two cabinet guide assemblies, and shims if necessary, as shown on the inside surfaces of the cabinet. Position them 3 1/2" (90mm) from the front edge of the cutout opening.
- Insert the screws in the holes of the guides without tightening them completely.
- Make sure the outside distance between the fixing angles is 22 1/8" (562mm) and that the guides are level. Change the number of shims or adjust the fixing angles as necessary.



Cabinet Guide Installation

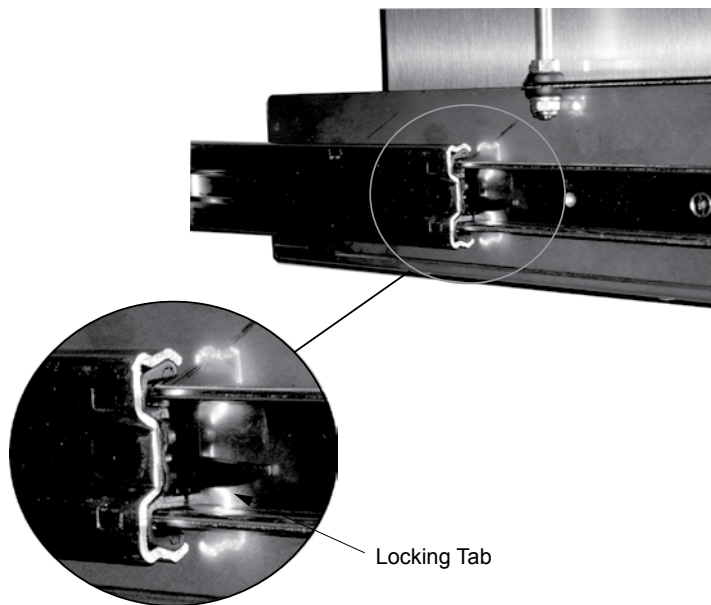
IMPORTANT: Make sure that guides are level.

- Tighten all of the screws.
- Make sure that the power cord and water feed line can be fed freely through the back wall.
- In order to avoid overheating the coffee system, make an opening of at least 3 15/16" (100mm) at the back of the cabinet to allow air to circulate.

INSTALLATION INSTRUCTIONS

INSTALLING THE COFFEE SYSTEM IN THE CABINET

- While supporting the coffee system from below, insert it into the cabinet cutout. As you insert it into the cabinet, line up the guides on the appliance with the cabinet guides. The system should glide on the rails when slight pressure is applied to the front of the coffee system. If it does not glide smoothly, check the distance between the guides again. See page 7.
- As you slide the coffee system into the cabinet the locking tab on the guides will engage.



Locking Tab Location

IF YOU NEED TO REMOVE THE COFFEE SYSTEM FROM THE CABINET

Should the coffee system need to be removed from its location:

- Disconnect the power plug from the power receptacle.
- Press the respective locking tabs on the guides and remove the appliance, supporting it from below.

VERIFYING OPERATION

⚠ CAUTION

Pour only roasted, unflavored coffee into the coffee bean container. Any other kind of coffee, e.g. coffee which has already been ground, will damage the grinder.

- Plug the coffee system into the dedicated, properly grounded, 3-prong receptacle.
 - Turn the light on and off to test it.
 - Turn on the power switch, located below the control panel.
- On model CM24P (plumbed model): turn on the water supply at the shut-off valve. Check to make sure the pressure regulator is set between 1.5 bars to 3 bars pressure. Adjust the regulator if necessary.
- On model CM24T (tank model): Fill the tank with filtered water (4 gpg maximum water hardness, do not use distilled water).
 - Push the hot water button. Wait about six seconds.
 - Continue to push the hot water button every six seconds until air bubbles no longer come out of the dispenser and about six ounces of water is dispensed.
 - Clean the coffee system according to the Routine Cleaning and Milk Cleaning instructions in the use and care manual. On model CM24T, clean the water tank.
 - Put a sauce pan under the drink dispenser.
 - Make one of each type of drink in the Basic Operation Instructions section of the use and care manual.



If the coffee system does not operate properly, follow these troubleshooting steps:

1. Verify that power and water are being supplied to the coffee system. On CM24T, make sure the water tank is full.
2. Make sure that the coffee bins have been properly filled according to the Basic Operating Instructions in the use and care manual.
3. Make sure the regulator is properly adjusted. Air in the system during initial operation can cause the initial adjustment to be incorrect.
4. Make sure that water flows through the pressure regulator in the right direction.
5. Repeat the above test.
6. If the appliance still does not work, contact an authorized DACOR service company. If you are unable to locate a DACOR Service company, please contact DACOR at (800) 793-0093, or visit us on the web at www.dacor.com. Do not attempt to repair the appliance yourself. DACOR is not responsible for service required to correct a faulty installation.

INSTALLATION INSTRUCTIONS

INSTALLATION CHECKLIST

▼ WARNING

WARNING:

- To ensure a safe and proper installation, the following checklist should be completed by the installer to ensure that no part of the installation has been overlooked.
 - Proper installation is the responsibility of the homeowner. The importance of proper installation of your Dacor coffee system cannot be overemphasized.
-
- Is the coffee system connected to, or using only soft water (4 gpg maximum hardness)? See pages 3 and 6.
 - Has the coffee system been cleaned prior to use as specified in the use and care manual. See page 3.
 - Is the coffee system connected to a dedicated, grounded power receptacle? See Location Requirements, on page 4.
 - Is the steam barrier installed. See Page 5.
 - Is the pressure regulator properly adjusted? See Page 6.
 - Are the cabinet guides properly adjusted. See page 7.
 - Is there a vent hole in the back of the cabinet to allow heat to escape. See page 7.
 - Is the coffee system locked into the locking tabs on the guides? See page 8.
 - Has the installer verified proper operation?
 - Have any problems been noted on the warranty card? Has the warranty card been filled out completely and mailed?

NOTES

NOTES

NOTES

**Specifications contained within are subject to change without notice.
No liability is assumed by DACOR for changes in specifications.**

The information and images in this book are the copyright property of Distinctive Appliances Inc. Neither this book nor any information or images contained herein may be copied or used in whole or in part without the express written permission of Distinctive Appliances Inc.