

ELKAY®

SPECIFICATIONS

Design Inspirations by Fu-Tung Cheng

Double Bowl Undermount Sink

Models DSGNR321810 and DSGNR321810C

GENERAL

Highest quality sink fabricated of #18 gauge (1.2mm), type 304(18-8) nickel-bearing stainless steel. Marrying the aesthetic with the practical, Fu-Tung Cheng has created versatile, multi-function work spaces in signature sculptural shapes. Model DSGNR321810C includes optional accessories in one convenient package including 2 LKWR1415SS wire racks, 1 LKCB1318HW cutting board, and 1 LC1711SS colander.

DESIGN FEATURE

Bowl Depth: 5-1/8"(130mm)(small bowl) sloping 9-1/8"(232mm) to 10 3/8"(263mm)(large bowl).

Coved Corners: Zero radius.

Finish: Exposed surfaces have a polished satin finish.

Underside: Fully protected by heavy duty Sound Guard® undercoating designed to reduce condensation and dampen sound.

Reversible design: Sink can be rotated so that the small bowl is on the left or right.

Smart Support System: located at 4-1/4"(108mm) and 7-3/4"(197mm) from the top of the sink, allows the use of the LKWR1415SS work shelf.

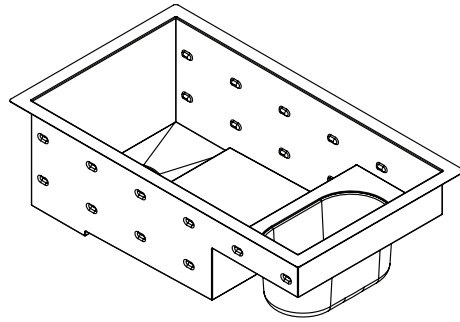
OTHER

Drain Opening: 3-1/2" (89mm)

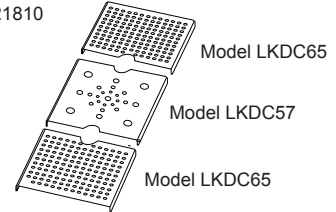
Sink complies with ASME A112.19.3-2008 / CSA B45.4-08

Side Drain Cover: (2) - LKDC65 included.

Center Drain Cover: (1) - LKDC57 included.



Model DSGNR321810



Model LKDC65

Model LKDC57

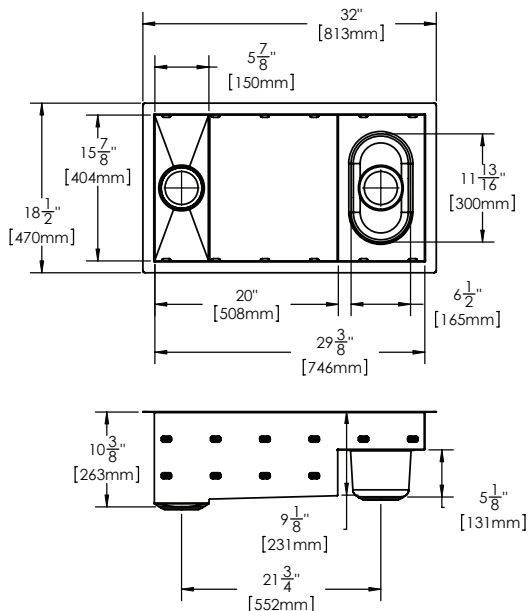
Model LKDC65

SINK DIMENSIONS*

Model Number	Overall		Inside Large Bowl			Inside Small Bowl			Cutout in Countertop	Minimum Cabinet Size
	L	W	L	W	D	L	W	D		
DSGNR321810	32 (813mm)	18-1/2 (470mm)	20 (508mm)	15-7/8 (404mm)	sloping from 9-1/8 to 10-3/8 (231mm) (263mm)	6-1/2 (165mm)	11-13/16 (300mm)	5-1/8 (130mm)	See Template**	36 (914mm)
DSGNR321810C	32 (813mm)	18-1/2 (470mm)	20 (508mm)	15-7/8 (404mm)	sloping from 9-1/8 to 10-3/8 (231mm) (263mm)	6-1/2 (165mm)	11-13/16 (300mm)	5-1/8 (130mm)	See Template**	36 (914mm)

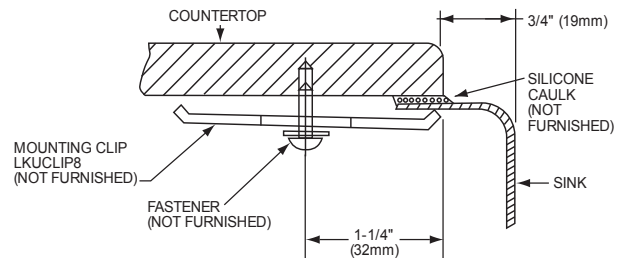
*Length is left to right. Width is front to back.

** Template is packed with every sink.



Installation Profile

The template provided with each sink provides the only type of installation recommended by Elkay.



In keeping with our policy of continuing product improvement, Elkay reserves the right to change product specifications without notice. Please visit elkayusa.com for most current version of Elkay product specification sheets.

This specification describes an Elkay product with design, quality, and functional benefits to the user. When making a comparison of others producers offerings, be certain these features are not overlooked.

ELKAY®

SPECIFICATIONS

Design Inspirations by Fu-Tung Cheng
Double Bowl Undermount Sink
Models DSGNR321810 and DSGNR321810C

OPTIONAL ACCESSORIES*

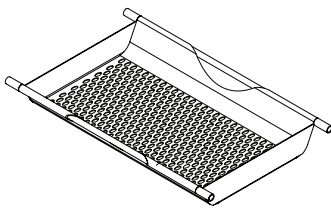
Mounting Clips: LKUCLIP8

Drain: LK99

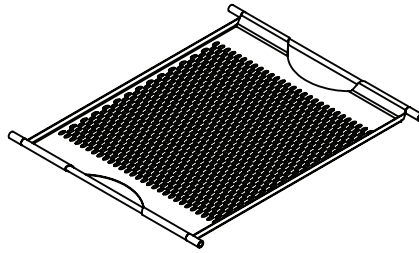
For Additional Accessories, see table below.

Model #	Description	Overall			Material
		L	W	Depth/Thickness	
LC1711SS	Colander	10-1/2 (267mm)	17-1/4 (438mm)	2 (51mm)	Polished Stainless Steel
LC1720SS	Colander	20-1/2 (521mm)	17-1/4 (438mm)	1/2 (13mm)	Polished Stainless Steel
LKCB1318HW	Cutting Board	18-1/4 (464mm)	22 (559mm)	1-3/4 (44mm)	Hardwood
LKWR1415SS	Work Shelf	14 (356mm)	15-13/16 (402mm)	7/8 (22mm)	Polished Stainless Steel

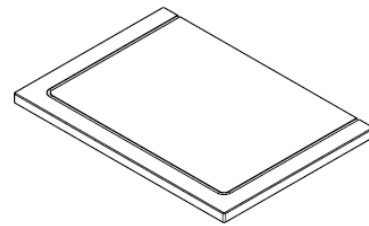
*Length is left to right. Width is front to back.



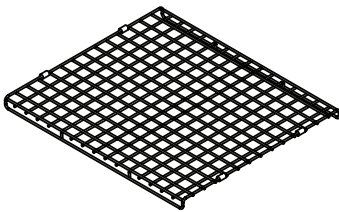
LC1711SS



LC1720SS



LKCB1318HW



LKWR1415SS

In keeping with our policy of continuing product improvement, Elkay reserves the right to change product specifications without notice. Please visit elkayusa.com for most current version of Elkay product specification sheets.

This specification describes an Elkay product with design, quality, and functional benefits to the user. When making a comparison of others producers offerings, be certain these features are not overlooked.