

This Data Sheet Includes Information On

**Marvel**

• **Product Model Number (s):** •

Beverage Refrigerator  
without door (door ordered separately)  
6BAR-BN

• **Dimensions (Actual Size)** •

Overall depth NOT including handle: 24 1/4"  
Depth NOT including door: 22"  
Height at full leg adjustment: 35"  
Height at 0" leg adjustment: 34 1/4"  
Height without legs installed: 34"  
Width: 23 7/8"  
Toe Kick height: 3"  
Door swing at 90°: 25 1/2"  
Recommended opening width: 24"  
Recommended opening depth: 24"  
Recommended opening height: 34 1/2"

• **Additional Information** •

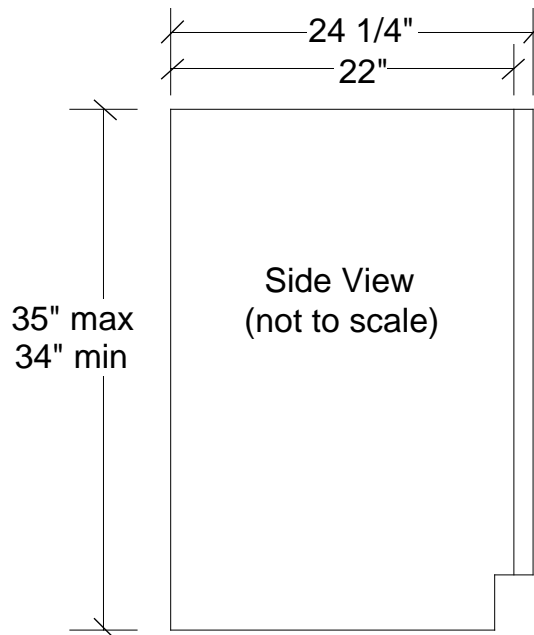
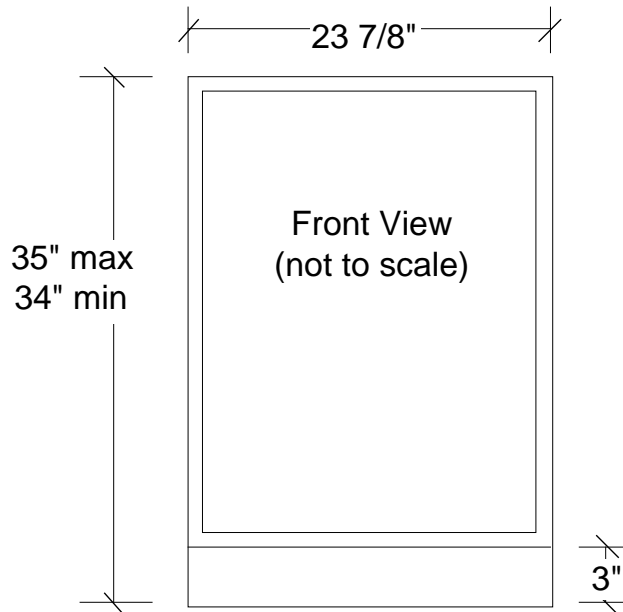
- Electrical requirements: 120 volts, 3 amps running max. 15 amp circuit required.
- Locate a 3-prong grounded receptacle in one of three locations: 1) On the wall in the adjacent cabinet opening. 2) Flush on the back wall of the refrigerator opening (add 1" to the overall depth of the unit to accommodate the thickness of the plug). 3) Recessed 1" into the back wall of the refrigerator opening.
- Door is reversible in field.
- Door must open a minimum of 135° to allow wine racks to pull out.
- Shipping weight: 130 pounds.
- U.L. Listed.
- 6BAR-BN: Black cabinet, no door. Door option sold separately.

See pages 2-3 for additional information

Subject to change without notice. This system is designed to be updated daily if necessary. Dimension Express is not responsible for use of superseded, voided, or outdated data sheets. Because of the difficulty or impracticability of determining actual damages, liability of Dimension Express shall not exceed \$50.00.

Copyright © Dimension Express, 2004.

318



• NEVER reuse Data Sheets. Data Sheets are subject to change without notice. Dimension Express is a FREE service bureau and is updated daily, it makes far more sense to spend the time necessary to request new Data Sheets for each project, as opposed to the problems, time, costs, and risks associated with reusing old Data Sheets.

- Call Dimension Express if you have any questions at (775) 833-3633 •
- Always refer to a current Code at a Glance or manufacturer directory •
- Data Sheet codes change on the first of odd numbered months at 12:01am •

BN • A318B149C150 • 31004 • 041904 • 115044 • 86024

Beverage Refrigerator  
without door (door ordered separately)  
6BAR-BN

**Additional Information:**

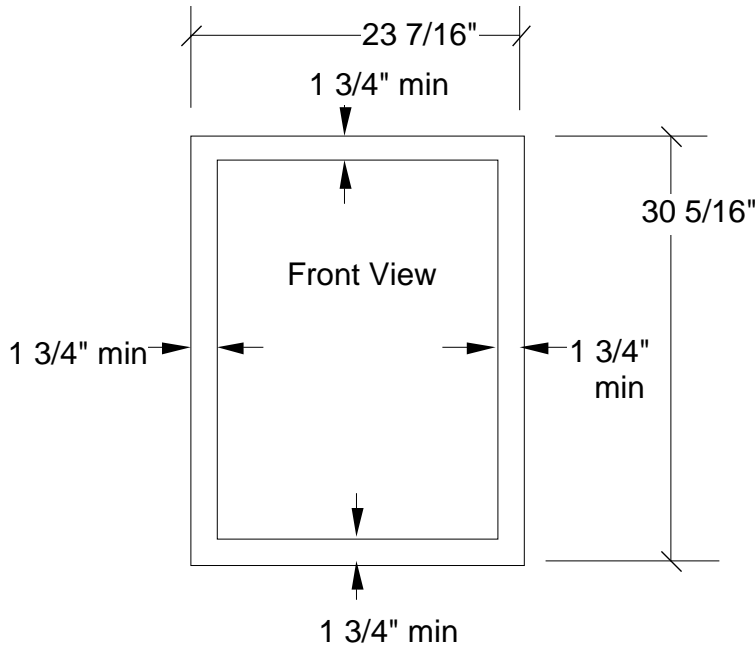
**Door options:**

- 1) Overlay Glass Door Frame (P/N 42244320, accepts customer supplied wood frame overlay, see below).
- 2) Framed (RPE) Door with black liner (P/N 42243657 white or 42243658 black. Solid painted door has frame to accept 1/4" custom panel, see page 3).
- 3) Overlay Solid Door (P/N 42244454 white or 42244519 black. Accepts overlay panel and door pull supplied by customer, see page 3).
- 4) Full Wrap Door (P/N 42244521 black with black liner, 42244520 stainless with black liner, 42244452 white with white liner or 42244451 stainless with white liner). Add 2 1/8" to depth for professional style bar handle.
- 5) Monochrome Wide Frame Glass Door with Professional style Handle: P/N 42244432 black frame with black handle, 42244433 white frame with white handle or 42244434 stainless frame with stainless handle. Add 2 1/8" to depth for professional style bar handle.

**Accessories:**

- Clip on door handle used with RPE doors: P/N 42241897 white, 42241898 black or 42241257 brushed aluminum.
- Casters: P/N 42244041.

## Custom Overlay Glass Door Frame Dimensions (not to scale)



Min. thickness of rails and stiles: 5/8"  
Max. thickness of rails and stiles: 3/4"

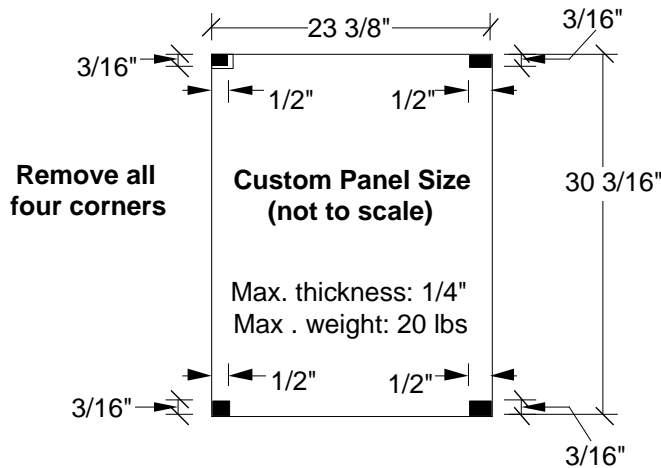
Subject to change without notice. This system is designed to be updated daily if necessary. Dimension Express is not responsible for use of superseded, voided, or outdated data sheets. Because of the difficulty or impracticability of determining actual damages, liability of Dimension Express shall not exceed \$50.00. Copyright © Dimension Express, 2004.

• NEVER reuse Data Sheets. Data Sheets are subject to change without notice. Dimension Express is a FREE service bureau and is updated daily, it makes far more sense to spend the time necessary to request new Data Sheets for each project, as opposed to the problems, time, costs, and risks associated with reusing old Data Sheets.

- Call Dimension Express if you have any questions at (775) 833-3633 •
- Always refer to a current Code at a Glance or manufacturer directory •
- Data Sheet codes change on the first of odd numbered months at 12:01am •

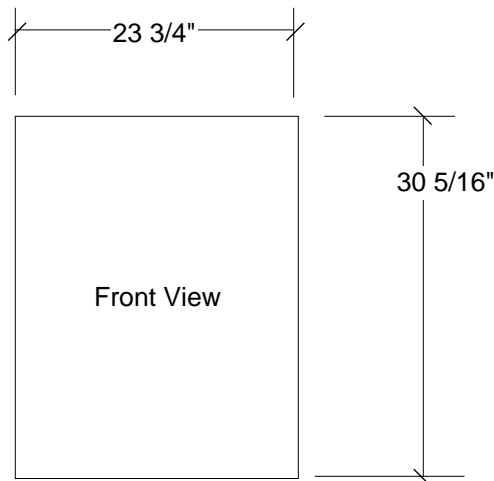
Additional Information:

## Custom Framed (RPE) Door Panel Dimensions (not to scale)



For panels thicker than 1/4",  
 reveal is 5/8" on all sides if  
 owner-supplied handle is used;  
 2" in the area of Marvels clip on  
 handle if it is used.

## Custom Overlay Solid Door Dimensions (not to scale)



Min. thickness: 5/8"  
 Max. thickness: 3/4"  
 Max . weight: 20 lbs

Subject to change without notice. This system is designed to be updated daily if necessary. Dimension Express is not responsible for use of superseded, voided, or outdated data sheets. Because of the difficulty or impracticability of determining actual damages, liability of Dimension Express shall not exceed \$50.00. Copyright © Dimension Express, 2004.