

This Data Sheet Includes Information On

Jenn-Air

• **Product Model Number (s):** •

Built-in Microwaves:
UMC5200ADW, UMC5200ADB, UMC5200ADS and
UMC5200ADQ

• **Dimensions (Actual Size)** •

Height including feet: 13 9/16"

Depth: 18 13/16"

Unit width: 23 7/8"

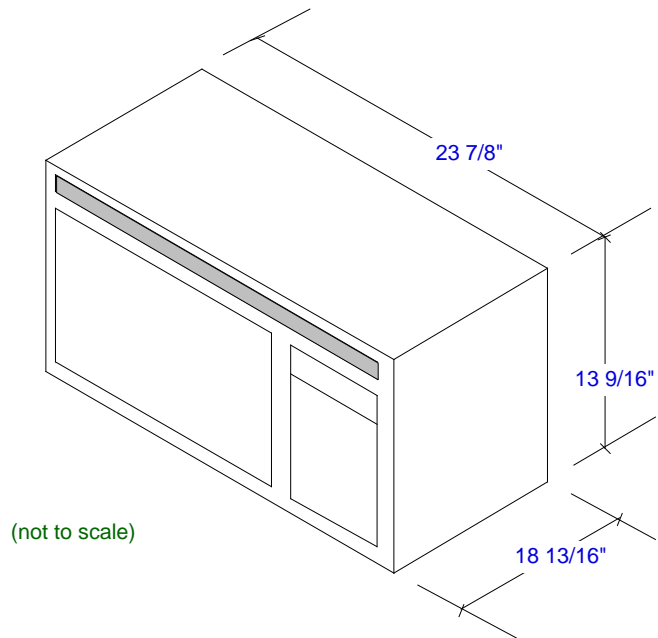
• **Additional Information** •

- Electrical requirements: Voltage 120, single phase, 60Hz. AC. 15 amp fuse (20 amp fuse recommended). Ground circuit required. Locate outlet box in the cabinet behind the microwave (flush mount is required for cabinets less than 24" deep).
- For built-in applications the cabinet floor must be level and capable of supporting 100 lbs.
- Approved for installation over Magic Chef single electric wall ovens.
- For a new installation, the bottom of the cutout should be 48" above the floor. This places the bottom of the microwave 50" above the floor.
- Minimum 3" rail to used when separating the microwave opening with an oven opening.

Kits:

- FTK-127 : Trim kit for built-in installation. See page 2 for cutout dimensions.
- FTK-130: Trim kit for built-in installation. See page 2 for cutout dimensions.

See page 2 for additional information



Subject to change without notice. This system is designed to be updated daily if necessary. Dimension Express is not responsible for use of superseded, voided, or outdated data sheets. Because of the difficulty or impracticability of determining actual damages, liability of Dimension Express shall not exceed \$50.00.

Copyright © Dimension Express, 2003.

132

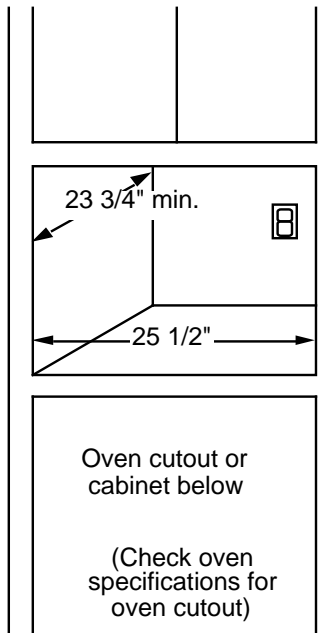
• NEVER reuse Data Sheets. Data Sheets are subject to change without notice. Dimension Express is a FREE service bureau and is updated daily, it makes far more sense to spend the time necessary to request new Data Sheets for each project, as opposed to the problems, time, costs, and risks associated with reusing old Data Sheets.

- Call Dimension Express if you have any questions at (775) 833-3633 •
- Always refer to a current Code at a Glance or manufacturer directory •
- Data Sheet codes change on the first of odd numbered months at 12:01am •

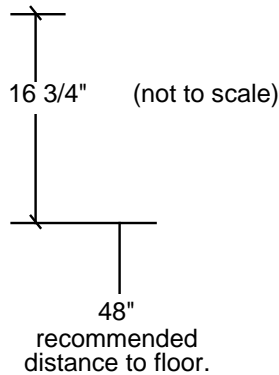
BN • A132B315 • • 031211 • 161132 • 70613

Built-in Microwaves:
 UMC5200ADW, UMC5200ADB, UMC5200ADS and
 UMC5200ADQ

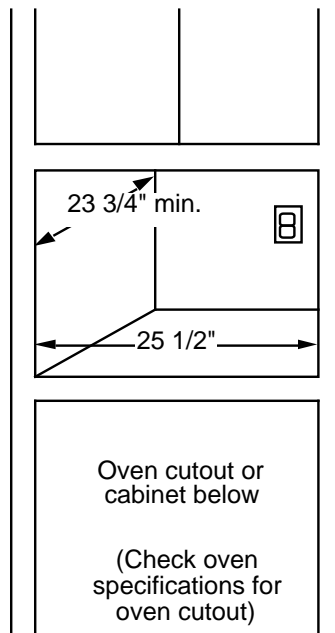
Additional Information:



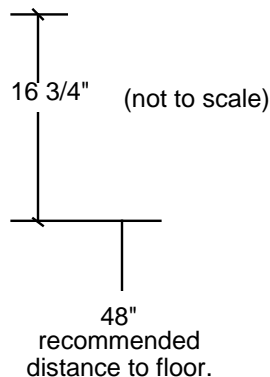
UMC5200AD installed with Trim Kits FTK-130



Minimum cabinet width: 30"
 Cutout width: 25 1/2"
 Cutout height: 16 3/4"
 Minimum cabinet depth: 23 3/4"
 Overall trim kit width: 29 13/16"
 Overall trim kit height: 19 1/8"



UMC5200AD installed with Trim Kits FTK-127



Minimum cabinet width: 27"
 Cutout width: 25 1/2"
 Cutout height: 16 3/4"
 Minimum cabinet depth: 23 3/4"
 Overall trim kit width: 26 7/8"
 Overall trim kit height: 19 1/8"

Subject to change without notice. This system is designed to be updated daily if necessary. Dimension Express is not responsible for use of superseded, voided, or outdated data sheets. Because of the difficulty or impracticability of determining actual damages, liability of Dimension Express shall not exceed \$50.00. Copyright © Dimension Express, 2003.

• NEVER reuse Data Sheets. Data Sheets are subject to change without notice. Dimension Express is a FREE service bureau and is updated daily, it makes far more sense to spend the time necessary to request new Data Sheets for each project, as opposed to the problems, time, costs, and risks associated with reusing old Data Sheets.

• Call Dimension Express if you have any questions at (775) 833-3633 •
 • Always refer to a current Code at a Glance or manufacturer directory •
 • Data Sheet codes change on the first of odd numbered months at 12:01am •