

This Data Sheet Includes Information On

**Maytag**

Product Model Number (s):

Free Standing Gas Ranges:  
MGR6772BDB, MGR6772BDQ, MGR6772BDS and  
MGR6772BDW

Dimensions (Actual Size)

- Height of cooking surface: 35 7/8"
- Height overall: 46 3/4"
- Case width: 29 7/8"
- Depth NOT including handle: 26 5/16"
- Upper door swing: 10 1/2"
- Lower door swing: 21"
- Height at full leg adjustment: N/A
- Height at 0" leg adjustment: N/A

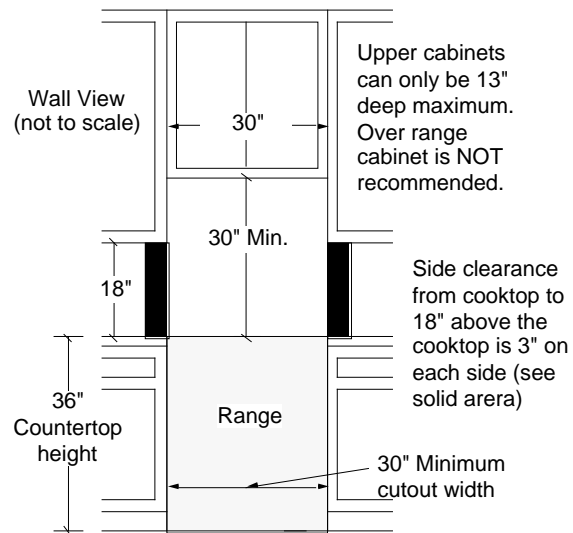
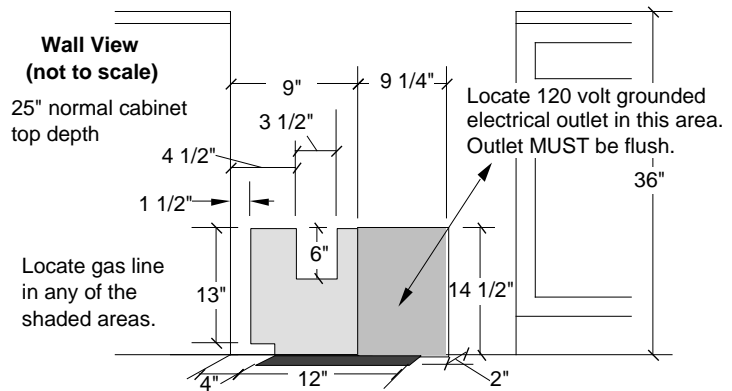
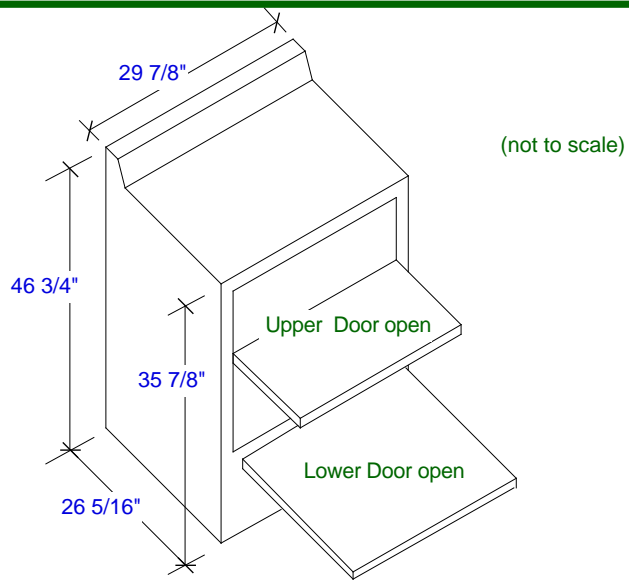
Additional Information

- Can be installed with the back against (0") a vertical combustible wall, and the sides below the cooktop surface against (0") combustible base cabinets.
- Electrical requirements: 120 VAC, 60Hz. 15 amp grounded circuit protection is required.
- Gas requirements: Gas supply line should be 3/4". Install a manual shutoff valve in an accessible location in the gas line external to this appliance for the purpose of turning on or shutting off gas to the appliance. The appliance is shipped from the factory equipped for use with natural gas and can be converted to LP gas in the field. The maximum gas supply pressure for both LP and natural gas is 14" WC. Minimum Pressure for Natural gas is 4" WC. Minimum Pressure for LP gas is 10" WC.
- Cabinetry over cooktop : 30" minimum clearance between the top of the cooking surface and the bottom of an unprotected wood or metal cabinet. 24" minimum when bottom of wood or metal cabinet is protected by not less than 1/4" flame retardant millboard covered with not less than no. 28 MSG sheet steel, 0.015" stainless steel, 0.024" aluminum or copper.
- To eliminate the risk of burns or fire by reaching over heated surface units, cabinet storage space located above the surface units should be avoided. If cabinet storage is to be provided, the risk can be reduced by installing a range hood that projects horizontally a minimum of 5" beyond the bottom of the cabinets.
- For Free-standing installations the cutout opening width is 30" ± 1/16" minimum. The height of the countertop is 36" and countertop depth is 25".

Subject to change without notice. This system is designed to be updated daily if necessary. Dimension Express is not responsible for use of superseded, voided, or outdated data sheets. Because of the difficulty or impracticability of determining actual damages, liability of Dimension Express shall not exceed \$50.00.

Copyright © Dimension Express, 2002.

461



• NEVER reuse Data Sheets. Data Sheets are subject to change without notice. Dimension Express is a FREE service bureau and is updated daily, it makes far more sense to spend the time necessary to request new Data Sheets for each project, as opposed to the problems, time, costs, and risks associated with reusing old Data Sheets.

- Call Dimension Express if you have any questions at (775) 833-3633 •
- Always refer to a current Code at a Glance or manufacturer directory •
- Data Sheet codes change on the first of odd numbered months at 12:01am •

BN • A461 • • 032603 • 95659 • 53492