

This Data Sheet Includes Information On

Maytag

• Product Model Number (s): •

Portable Dishwashers:
MDC5100AWB and MDC5100AWW

• Dimensions (Actual Size) •

Height: 36 1/2"

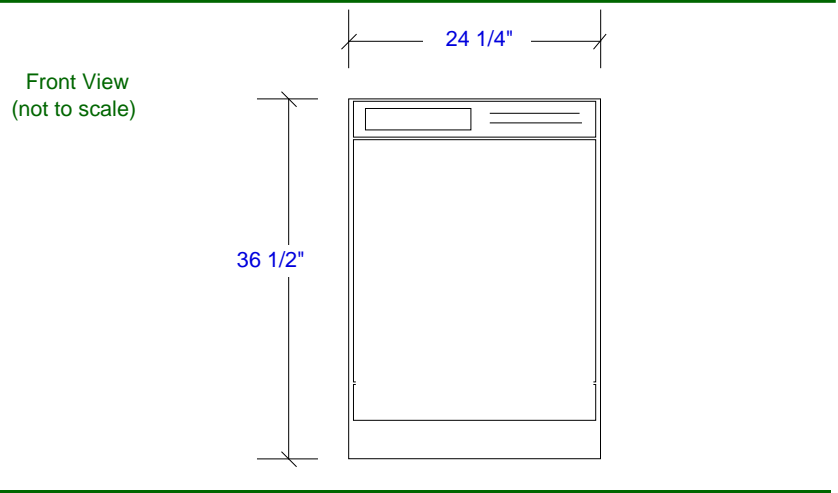
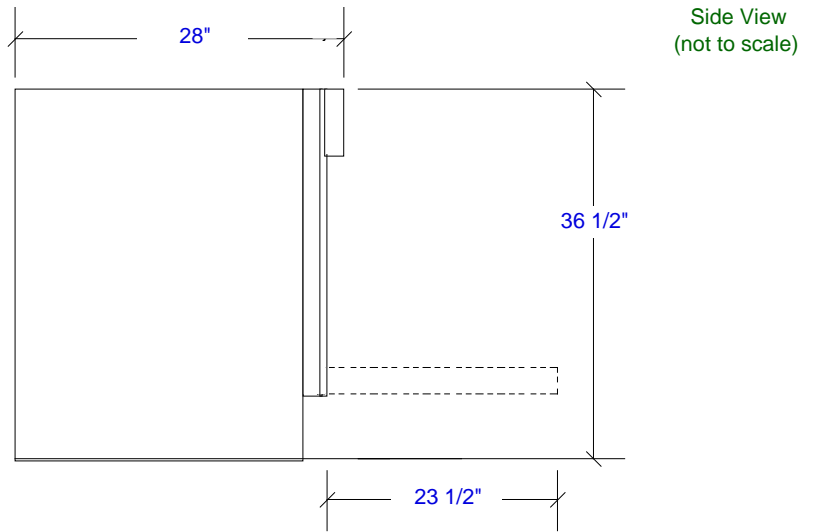
Width: 24 1/4"

Depth including door: 28"

Door swing: 23 1/2"

• Additional Information •

- Electrical requirements: 120 volts AC, 60Hz., 15 or 20 amp, fused electrical supply is required. Time delay fuse or circuit breaker is recommended. It is recommended that a separate circuit serving only this appliance be provided.
- Water requirements: The hot water faucet or hot and cold single-spout water faucet should be accessible within 30" of the back of the dishwasher and should provide 15-120 psi water pressure. The hot water heater should be set to deliver 120°F water temperature to the dishwasher for best results.
- Drain requirements: To drain the unit, you need a sink or a laundry tub having a minimum carryaway capacity of 7 gallons per minute. The top of the sink or laundry tub cannot be lower than 27" or higher than 48" from the bottom of the dishwasher.



Subject to change without notice. This system is designed to be updated daily if necessary. Dimension Express is not responsible for use of superseded, voided, or outdated data sheets. Because of the difficulty or impracticability of determining actual damages, liability of Dimension Express shall not exceed \$50.00.

Copyright © Dimension Express, 2002.

362

• NEVER reuse Data Sheets. Data Sheets are subject to change without notice. Dimension Express is a FREE service bureau and is updated daily, it makes far more sense to spend the time necessary to request new Data Sheets for each project, as opposed to the problems, time, costs, and risks associated with reusing old Data Sheets.

- Call Dimension Express if you have any questions at (775) 833-3633 •
- Always refer to a current Code at a Glance or manufacturer directory •
- Data Sheet codes change on the first of odd numbered months at 12:01am •

BN177 • A362 • 032603 • 95657 • 46137