

This Data Sheet Includes Information On

**Maytag**

• Product Model Number (s):

Electric Dryers:  
SDE2606AYW, SDE3606AYW, SDE3606AYQ and  
SDE4606AYW

• Dimensions (Actual Size)

Width: 26 15/16"  
Height including control panel (0" leg adj): 43"  
Height NOT including control panel (0" leg adj): 36"  
Depth: 28"  
Depth with door open: 51 1/2"  
Minimum distance from working surface to cabinets directly above: 19"  
Minimum clearance from back wall: 0"  
Minimum distance to door in front: 2"  
Minimum clearance right and left: 0"  
Door width: 23 1/2"

• Additional Information

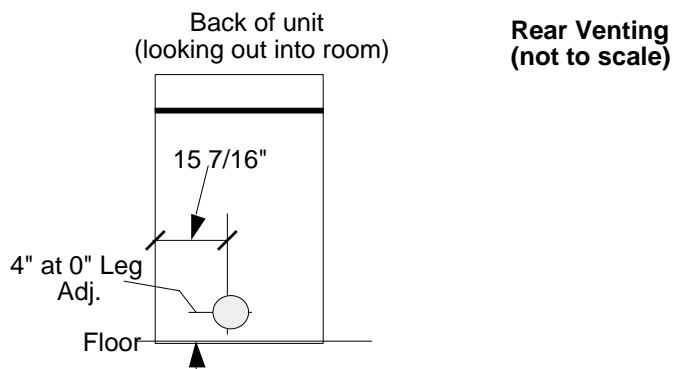
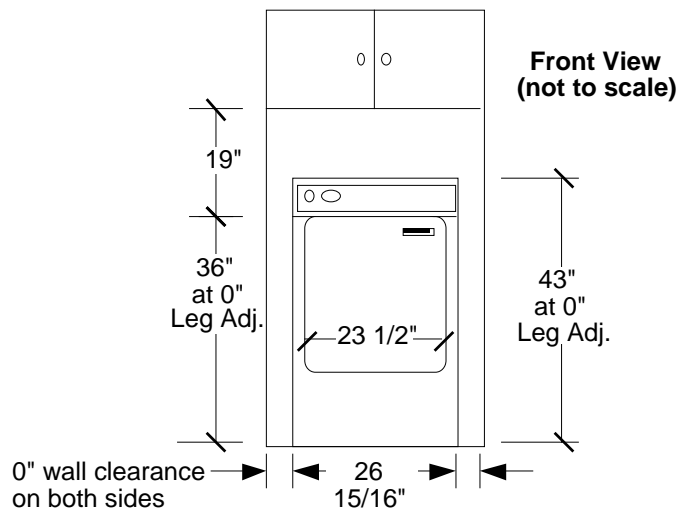
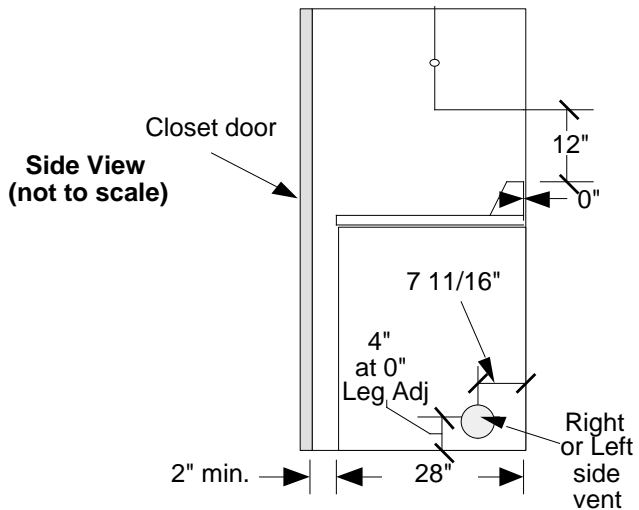
- Electrical requirements: 3 or 4 wire 120/240V, 60Hz, 30 ampere grounded, fused electrical supply is required. An individual branch (or separate circuit serving only this appliance is recommended). Service cord NOT provided.
- Coper wire only. Shorter than 15' use 10AWG, longer than 15' use 8awg
- Exhaust requirements:
  - Dryer may be vented out rear, right and left side or through floor (when venting right and left or down use Kit 528P3).
  - Dryer must be exhausted to the outside.
  - Use a minimum of 4" diameter rigid or flexible metal duct.
  - Keep exhaust as straight and short as possible. Exhaust systems longer than the chart on page 2 will extend drying time, affect machine performance and collect lint.
  - Termination hood should have at least 12" of clearance between the bottom of the hood and the ground or other obstructions.
  - Back pressure must not exceed 0.6" of water column when measured with a manometer.

See page 2 for additional information

Subject to change without notice. This system is designed to be updated daily if necessary. Dimension Express is not responsible for use of superseded, voided, or outdated data sheets. Because of the difficulty or impracticability of determining actual damages, liability of Dimension Express shall not exceed \$50.00.

Copyright © Dimension Express, 2004.

337



• NEVER reuse Data Sheets. Data Sheets are subject to change without notice. Dimension Express is a FREE service bureau and is updated daily, it makes far more sense to spend the time necessary to request new Data Sheets for each project, as opposed to the problems, time, costs, and risks associated with reusing old Data Sheets.

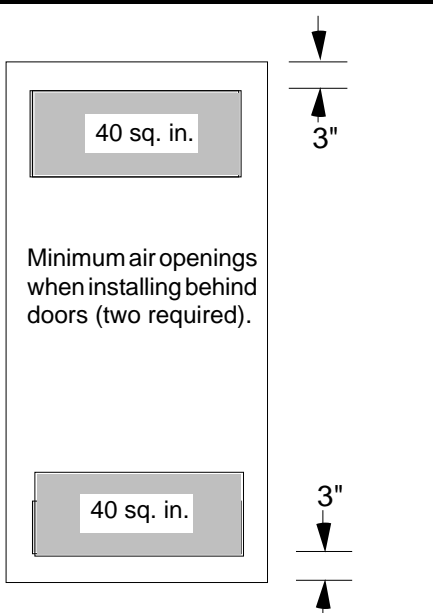
- Call Dimension Express if you have any questions at (775) 833-3633 •
- Always refer to a current Code at a Glance or manufacturer directory •
- Data Sheet codes change on the first of odd numbered months at 12:01am •

BN • A337B149 • • 041201 • 74218 • 32516


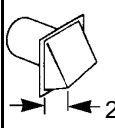
Electric Dryers:  
 SDE2606AYW, SDE3606AYW, SDE3606AYQ and  
 SDE4606AYW

Additional Information:

- Product installation in an alcove area or a closet requires sufficient make-up air. Each make-up air opening must have a minimum of 40 square inches (more is better). These openings must not be obstructed. A louvered door with equivalent air opening is acceptable.



Maximum duct length chart (4" dia. rigid metal duct)

Number of 90° turns			
0	44 ft	34 ft	
1	34 ft	26 ft	
2	26 ft	20 ft	
3	20 ft	14 ft	

Subject to change without notice. This system is designed to be updated daily if necessary. Dimension Express is not responsible for use of superseded, voided, or outdated data sheets. Because of the difficulty or impracticability of determining actual damages, liability of Dimension Express shall not exceed \$50.00. Copyright © Dimension Express, 2004.

• NEVER reuse Data Sheets. Data Sheets are subject to change without notice. Dimension Express is a FREE service bureau and is updated daily, it makes far more sense to spend the time necessary to request new Data Sheets for each project, as opposed to the problems, time, costs, and risks associated with reusing old Data Sheets.

- Call Dimension Express if you have any questions at (775) 833-3633 •
- Always refer to a current Code at a Glance or manufacturer directory •
- Data Sheet codes change on the first of odd numbered months at 12:01am •