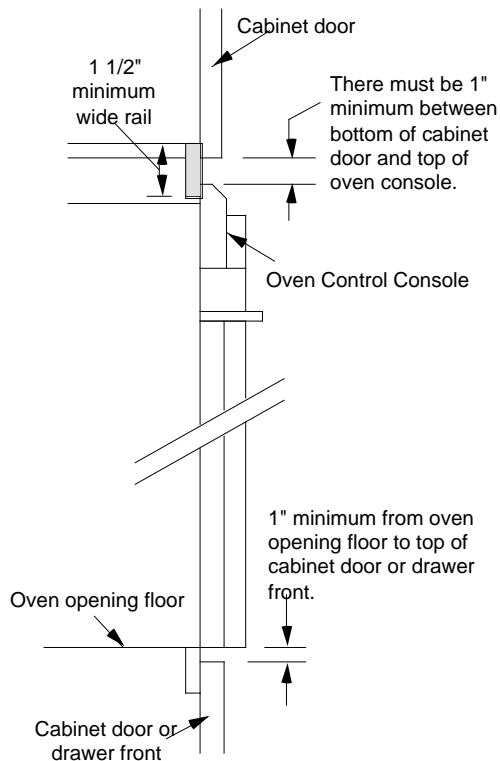


Additional Information:

- Cutout in cabinet should be level and straight. There are no provisions to level the unit after it is installed.
- Construct 5/8" minimum plywood floor flush with bottom of opening. Floor must be level and straight and capable of supporting 250 lbs.
- For European style cabinets (flush front) the required clearance for operation of the oven door is a minimum spacing of 7/8" between the cutout and the door, hinge or drawer of the cabinet.
- Gas requirements: Supply line should be 3/4". Unit is shipped from factory for use on natural gas. Unit is equipped with built-in conversion for use on LP gas.
 - Supplied with 1/2" NPT female inlet on regulator. Regulator supplied with unit and a shutoff valve must be installed in an accessible location.
 - Gas pressure requirements: Natural gas- 5" WC min, 14" WC max. LP gas- 11" WC min, 14" WC max.
 - Air for combustion enters at the extreme bottom front panel. Do NOT obstruct this opening.
- Black.



Side View
(not to scale)

Subject to change without notice. This system is designed to be updated daily if necessary. Dimension Express is not responsible for use of superseded, voided, or outdated data sheets. Because of the difficulty or impracticability of determining actual damages, liability of Dimension Express shall not exceed \$50.00. Copyright © Dimension Express, 2002.

• NEVER reuse Data Sheets. Data Sheets are subject to change without notice. Dimension Express is a FREE service bureau and is updated daily, it makes far more sense to spend the time necessary to request new Data Sheets for each project, as opposed to the problems, time, costs, and risks associated with reusing old Data Sheets.

- Call Dimension Express if you have any questions at (775) 833-3633 •
- Always refer to a current Code at a Glance or manufacturer directory •
- Data Sheet codes change on the first of odd numbered months at 12:01am •

This Data Sheet Includes Information On

Maytag

• **Product Model Number (s):** •

24" Gas Wall Ovens:
CWG3600AAB

• **Dimensions (Actual Size)** •

Minimum cabinet width: 24"

Cutout width: 22"

Cutout height: 45 3/8"

Minimum cutout location from floor : 17"

Minimum cabinet depth: 24"

Distance from face of cabinet to
outer edge of open doors(door swing): 22 3/4"

Distance from face of cabinet to
front of closed door handle: 2 9/16"

Overall unit width: 23 7/8"

Overall unit height: 46 5/16"

Penetration into cabinet: 22 5/8"

Distance from opening floor to centerline of
gas and electrical: 2"

Distance (left) from opening centerline to
centerline of gas: 4"

Distance (right) from opening centerline
to centerline of electrical: 5"

Oven overlap distances when using
cutout dimensions listed above:

Top overlap: 7/16"

Bottom overlap: 1/2"

Right side overlap: 13/16"

Left side overlap: 13/16"

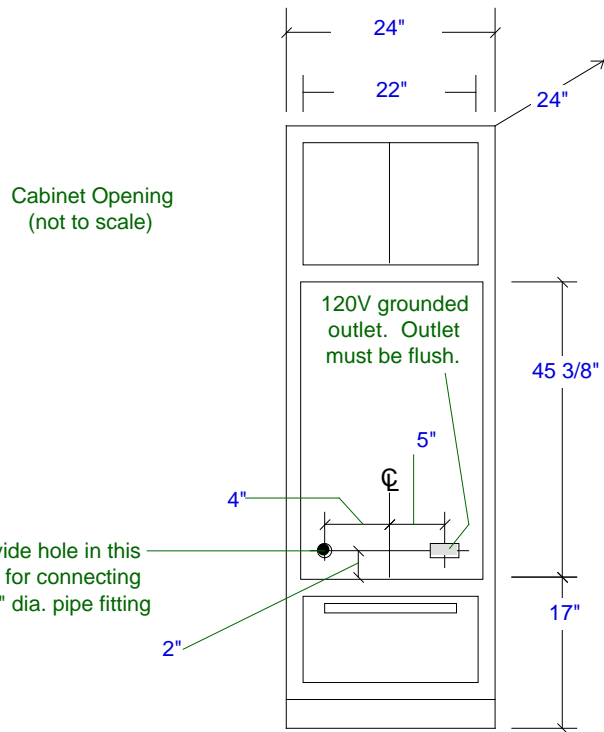
• **Additional Information** •

- Fits in standard 24" cabinet.
- Secure oven to cabinet through holes provided in trim. (6 screws shipped with unit)
- Complete floor in oven opening is recommended to prevent unusual drafts.
- Electrical requirements: 120 volts 60 Hz protected by a 15 amp fuse or compatible circuit breaker. Minimum wire size is 14 gauge. Copper wire only. Unit is supplied with a 40" long power cord having a 3-prong grounding plug which exits from the cooktop in the middle of the right. A grounded and polarized 3-prong receptacle should be made available. Individual branch circuit serving the cooktop is recommended.

See page 2 for additional information

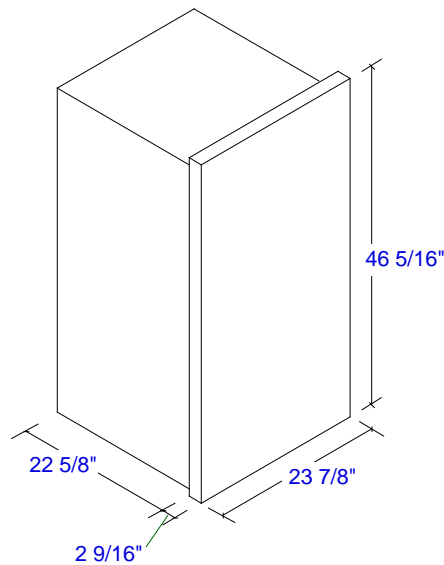
Subject to change without notice. This system is designed to be updated daily if necessary. Dimension Express is not responsible for use of superseded, voided, or outdated data sheets. Because of the difficulty or impracticability of determining actual damages, liability of Dimension Express shall not exceed \$50.00.

Copyright © Dimension Express, 2002.



Provide hole in this area for connecting to 1/2" dia. pipe fitting

Overall Dimensions (not to scale)



• NEVER reuse Data Sheets. Data Sheets are subject to change without notice. Dimension Express is a FREE service bureau and is updated daily, it makes far more sense to spend the time necessary to request new Data Sheets for each project, as opposed to the problems, time, costs, and risks associated with reusing old Data Sheets.

- Call Dimension Express if you have any questions at (775) 833-3633 •
- Always refer to a current Code at a Glance or manufacturer directory •
- Data Sheet codes change on the first of odd numbered months at 12:01am •