

This Data Sheet Includes Information On

Maytag

• **Product Model Number (s):**

24" Dishwashers:
MDB8600AWS, MDB8600AWW, MDB8600AWQ and
MDB8600AWB

• **Dimensions (Actual Size)**

- Height at full leg adjustment: 35 1/4" Maximum
- Height at 0" leg adjustment: 33 1/2" Minimum
- Width: 23 7/8"
- Depth: 22 1/2"
- Door thickness incl. control panel: 2 5/8"
- Door thickness: 1 3/4"
- Depth with door open: 51 1/2"
- Vertical toe space: 3" to 4 1/4"
- Custom panel flange depth: n/a
- Custom panel flange width: n/a

• **Additional Information**

DRAIN:

- 32" Drain loop, 1/2" minimum I.D. Floor drains require a siphon break.
- Drain hose extension kit available 904024.
- When draining into a disposer, make sure disposer drain plug is removed.

WATER SUPPLY:

- 15 to 120 psi water pressure. 120°F to 140° hot water supply recommended.
- Access for manual shut-off valve recommended.
- 3/8" female pipe thread connection is attached to water valve.
- Suggested water line size 3/8" O.D. copper or equivalent.

ELECTRICAL SUPPLY:

- 115 volts, 60 Hz protected by a GROUNDED 15 amp fuse or comparable circuit breaker.
- Max amperage draw 12.0 amps.
- Minimum wire size 14 gauge (No. 12 wire preferred) - Copper only. Check all local codes.
- Individual circuit for dishwasher recommended.

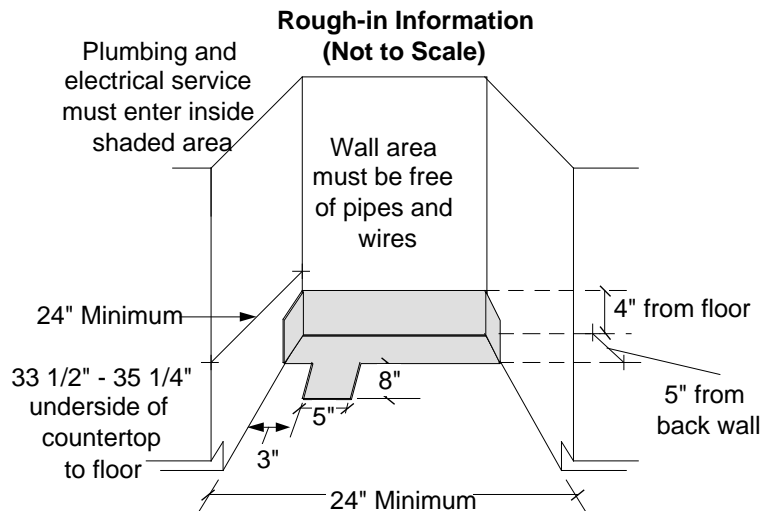
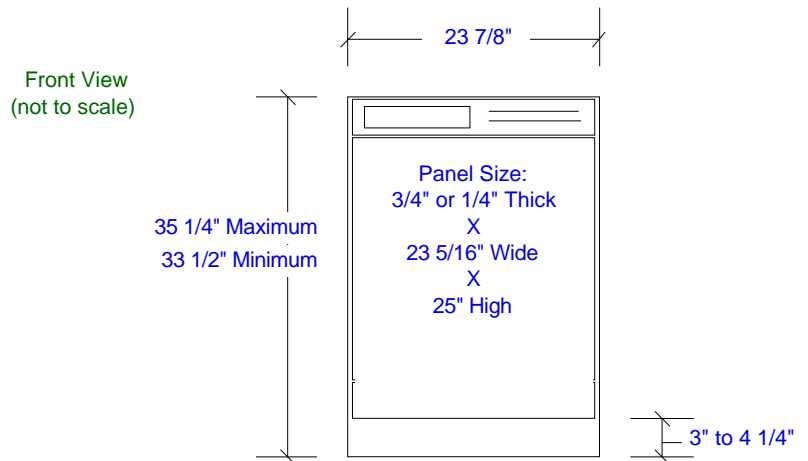
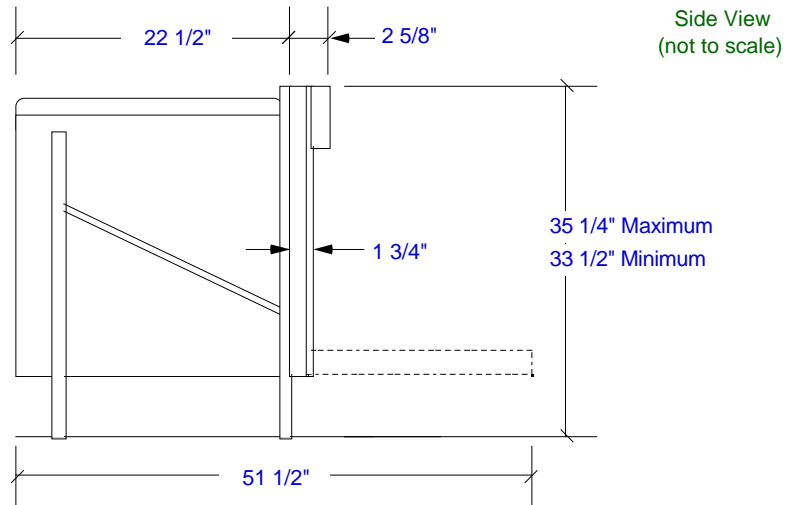
IMPORTANT: ALWAYS CHECK LOCAL AND NATIONAL CODES FOR FULL COMPLIANCE.

See page 2 for additional information

Subject to change without notice. This system is designed to be updated daily if necessary. Dimension Express is not responsible for use of superseded, voided, or outdated data sheets. Because of the difficulty or impracticability of determining actual damages, liability of Dimension Express shall not exceed \$50.00.

Copyright © Dimension Express, 2002.

456



• NEVER reuse Data Sheets. Data Sheets are subject to change without notice. Dimension Express is a FREE service bureau and is updated daily, it makes far more sense to spend the time necessary to request new Data Sheets for each project, as opposed to the problems, time, costs, and risks associated with reusing old Data Sheets.

• Call Dimension Express if you have any questions at (775) 833-3633 •
• Always refer to a current Code at a Glance or manufacturer directory •
• Data Sheet codes change on the first of odd numbered months at 12:01am •

BN177 • A456B149 • • 032005 • 12534 • 24635

24" Dishwashers:
MDB8600AWS, MDB8600AWW, MDB8600AWQ and
MDB8600AWB

Additional Information:

- Electrical and water supplies should enter cabinet opening on the floor, or through the side walls as shown in shaded areas of drawing
- Keep back free of drain, water and electrical supply.
- Connections preferably located toward left side of dishwasher. Care should be taken to route plumbing and electrical away from motor and other electrical components.
- When installing the dishwasher in or near a corner, allow enough room for the door to open without interfacing with any cabinet drawers or hardware.

Kit: DAX3000AXX (Black Trim Kit)

Kit: DAX3000AXN (Bisque Trim Kit)

Kit: DAX3000AXE (White Trim Kit)

Subject to change without notice. This system is designed to be updated daily if necessary. Dimension Express is not responsible for use of superseded, voided, or outdated data sheets. Because of the difficulty or impracticability of determining actual damages, liability of Dimension Express shall not exceed \$50.00. Copyright © Dimension Express, 2002.

• NEVER reuse Data Sheets. Data Sheets are subject to change without notice. Dimension Express is a FREE service bureau and is updated daily, it makes far more sense to spend the time necessary to request new Data Sheets for each project, as opposed to the problems, time, costs, and risks associated with reusing old Data Sheets.

- Call Dimension Express if you have any questions at (775) 833-3633 •
- Always refer to a current Code at a Glance or manufacturer directory •
- Data Sheet codes change on the first of odd numbered months at 12:01am •