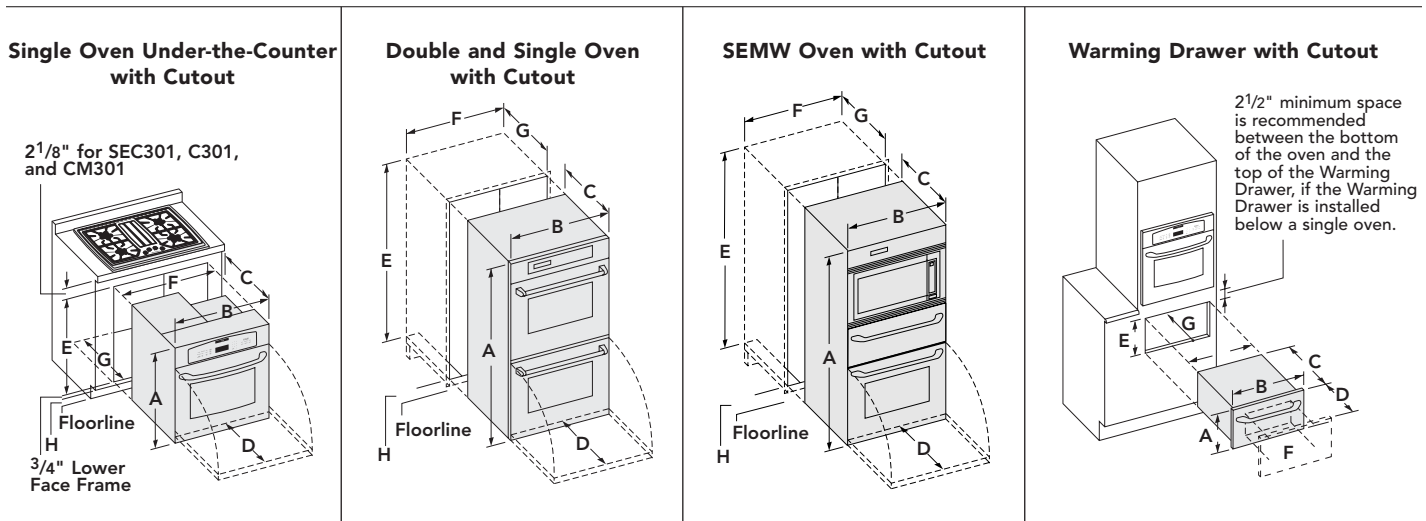


PLANNING GUIDE
BUILT-IN OVENS,
MICROWAVES &
WARMING DRAWERS

BUILT-IN OVENS, MICROWAVES & WARMING DRAWERS



Model No.	Overall Dimensions				Cutout Dimensions*				Usable Oven Space Upper/Single Oven Interior Dimensions			Usable Oven Space Lower Oven Interior Dimensions			Door Handle Projection
	A†	B†	C	D**	E	F	G	H	H x W x D	H x W x D	H x W x D	****			
27" Built-In Electric Wall Ovens and Microwaves															
SEC271	28 ⁵ / ₈	26 ³ / ₄	23 ⁷ / ₈	22	28 ¹ / ₄	25 ¹ / ₂	24	4 ³ / ₄ to 3 ¹ / ₈	16 ¹ / ₄	22	17 ¹ / ₂	N/A			2 ⁷ / ₈
SEC272	51 ¹ / ₂	26 ³ / ₄	23 ⁷ / ₈	22	51 ¹ / ₈	25 ¹ / ₂	24	9 ³ / ₄	16 ¹ / ₄	22	17 ¹ / ₂	16 ¹ / ₄	22	19	2 ⁷ / ₈
SECD272	51 ¹ / ₂	26 ³ / ₄	23 ⁷ / ₈	22	51 ¹ / ₈	25 ¹ / ₂	24	9 ³ / ₄	16 ¹ / ₄	22	17 ¹ / ₂	16 ¹ / ₄	22	17 ¹ / ₂	2 ⁷ / ₈
C271	28 ⁵ / ₈	26 ³ / ₄	23 ⁷ / ₈	22	28 ¹ / ₄	25 ¹ / ₂	24	4 ³ / ₄ to 3 ¹ / ₈	16 ¹ / ₄	22	17 ¹ / ₂	N/A			3 ³ / ₄
C272	51 ¹ / ₂	26 ³ / ₄	23 ⁷ / ₈	22	51 ¹ / ₈	25 ¹ / ₂	24	9 ³ / ₄	16 ¹ / ₄	22	17 ¹ / ₂	16 ¹ / ₄	22	17 ¹ / ₂	3 ³ / ₄
SEMW272	55 ³ / ₄	26 ³ / ₄	23 ⁷ / ₈	22	55 ³ / ₈	25 ¹ / ₂	24	9 ³ / ₄	9 ³ / ₄	16 ³ / ₄	17	16 ¹ / ₄	22	17 ¹ / ₂	2 ⁷ / ₈
SEMW272 warming drawer												5	20 ⁵ / ₈	19 ³ / ₄	2 ⁷ / ₈
SEM272	46 ¹ / ₂	26 ³ / ₄	23 ⁷ / ₈	22	46 ¹ / ₈	25 ¹ / ₂	24	19 ¹ / ₂	9 ³ / ₄	16 ³ / ₄	17	16 ¹ / ₄	22	17 ¹ / ₂	2 ⁷ / ₈
MBB***	13 ⁵ / ₈	24	21	19 ³ / ₄	17	25 ¹ / ₂	24	N/A	9 ³ / ₄	16 ³ / ₄	17	N/A			N/A
MET27B	17 ³ / ₈	26 ³ / ₄	21	N/A	17	25 ¹ / ₂	24	N/A	N/A			N/A			N/A
30" Built-In Electric Wall Ovens and Microwaves															
SEC301	28 ⁵ / ₈	29 ³ / ₄	23 ⁷ / ₈	22	28 ¹ / ₄	28 ¹ / ₂	24	4 ³ / ₄ to 3 ¹ / ₈	16 ¹ / ₄	25	17 ¹ / ₂	N/A			2 ⁷ / ₈
SEC302	51 ¹ / ₂	29 ³ / ₄	23 ⁷ / ₈	22	51 ¹ / ₈	28 ¹ / ₂	24	9 ³ / ₄	16 ¹ / ₄	25	17 ¹ / ₂	16 ¹ / ₄	25	19	2 ⁷ / ₈
SECD302	51 ¹ / ₂	29 ³ / ₄	23 ⁷ / ₈	22	51 ¹ / ₈	28 ¹ / ₂	24	9 ³ / ₄	16 ¹ / ₄	25	17 ¹ / ₂	16 ¹ / ₄	25	17 ¹ / ₂	2 ⁷ / ₈
C301	28 ⁵ / ₈	29 ³ / ₄	23 ⁷ / ₈	22	28 ¹ / ₄	28 ¹ / ₂	24	4 ³ / ₄ to 3 ¹ / ₈	16 ¹ / ₄	25	17 ¹ / ₂	N/A			3 ³ / ₄
C302	51 ¹ / ₂	29 ³ / ₄	23 ⁷ / ₈	22	51 ¹ / ₈	28 ¹ / ₂	24	9 ³ / ₄	16 ¹ / ₄	25	17 ¹ / ₂	16 ¹ / ₄	25	17 ¹ / ₂	3 ³ / ₄
CM301	28 ⁵ / ₈	29 ³ / ₄	23 ⁷ / ₈	22	28 ¹ / ₄	28 ¹ / ₂	24	4 ³ / ₄ to 3 ¹ / ₈	16 ¹ / ₄	25	17 ¹ / ₂	N/A			3 ³ / ₄
CM302	51 ¹ / ₂	29 ³ / ₄	23 ⁷ / ₈	22	51 ¹ / ₈	28 ¹ / ₂	24	9 ³ / ₄	16 ¹ / ₄	25	17 ¹ / ₂	16 ¹ / ₄	25	17 ¹ / ₂	3 ³ / ₄
SEMW302	55 ³ / ₄	29 ³ / ₄	23 ⁷ / ₈	22	55 ³ / ₈	28 ¹ / ₂	24	9 ³ / ₄	9 ³ / ₄	16 ³ / ₄	17	16 ¹ / ₄	25	17 ¹ / ₂	2 ⁷ / ₈
SEMW302 warming drawer												5	23 ⁵ / ₈	19 ³ / ₄	2 ⁷ / ₈
SEM302	46 ¹ / ₂	29 ³ / ₄	23 ⁷ / ₈	22	46 ¹ / ₈	28 ¹ / ₂	24	19 ¹ / ₂	9 ³ / ₄	16 ³ / ₄	17	16 ¹ / ₄	25	17 ¹ / ₂	2 ⁷ / ₈
MBB***	13 ⁵ / ₈	24	21	19 ³ / ₄	17	28 ¹ / ₂	24	N/A	9 ³ / ₄	16 ³ / ₄	17	N/A			N/A
MET30B	17 ³ / ₈	29 ³ / ₄	21	N/A	17	28 ¹ / ₂	24	N/A	N/A			N/A			N/A

Model No.	Overall Dimensions				Cutout Dimensions*			Interior Drawer Usable Space				Custom Panel Dimensions†††	
	A	B	C††	D	E	F	G	H x W x D	Cubic Feet	H x W			
Warming Drawers													
WD24	10 ¹ / ₄	23 ¹ / ₂	20 ¹ / ₄	18 ¹ / ₂	9	22 ¹ / ₂	20 ¹ / ₄	6 19 ¹ / ₂ 18 ¹ / ₂	1.2	10 ¹ / ₄ 23 ¹ / ₂			
WD27	11 ¹ / ₄	26 ⁷ / ₈	22 ¹ / ₄	20 ¹ / ₂	10	25 ³ / ₄	22 ¹ / ₄	7 22 21	1.9	11 ¹ / ₄ 26 ⁷ / ₈			
WD30	11 ¹ / ₄	29 ⁷ / ₈	22 ¹ / ₄	20 ¹ / ₂	10	25 ³ / ₄	22 ¹ / ₄	7 22 21	1.9	11 ¹ / ₄ 29 ⁷ / ₈			

BUILT-IN OVENS, MICROWAVES & WARMING DRAWERS

Built-In Oven General Information

	27" Built-In Ovens							
	SE-Series			C-Series		Combination Ovens		Microwave Ovens
MODEL NO.	SEC271	SEC272	SECD272	C271	C272	SEMW272	SEM272	MBB
Configuration	Single	Double	Double	Single	Double	Triple	Double	Single
Microwave Wattage	N/A	N/A	N/A	N/A	N/A	1,100	1,100	1,100
Broil/Bake Wattage	3,600/2,200	3,600/2,200	3,600/2,200	3,600/2,200	3,600/2,200	3,600/2,200	3,600/2,200	N/A
Warming Drawer Wattage	N/A	N/A	N/A	N/A	N/A	450	N/A	N/A
Third Element Wattage	2,750	2,750	2,750	2,750	2,750	2,750	2,750	N/A
Dual-Rated 120/208-240 Volts, 4 Wire, 60 Hz	■	■	■	■	■	■	■	N/A
Amps	30	40	40	30	40	40	40	20
Approximate Shipping Weight (lbs.)	140	331	331	180	315	348	285	44
Usable Oven Space Upper/Single (cu. ft.)	3.6	3.6	3.6	3.6	3.6	1.6 (Microwave) 1.2 (Warming Drawer)	1.6	2.1
Usable Oven Space Lower (cu.ft.)	N/A	3.9	3.6	N/A	3.6	3.6	3.6	N/A
Overall Volume Upper/Single (cu. ft.) ^{****}	4.3	4.3	4.3	4.3	4.3	2.1	2.1	N/A
Overall Volume Lower (cu.ft.) ^{****}	N/A	4.3	4.3	N/A	4.3	4.3	4.3	N/A

	30" Built-In Ovens									
	SE-Series			C-Series		Combination Ovens				Microwave Ovens
MODEL NO.	SEC301	SEC302	SECD302	C301	C302	SEMW302	SEM302	CM301	CM302	MBB
Configuration	Single	Double	Double	Single	Double	Triple	Double	Single	Double	Single
Microwave Wattage	N/A	N/A	N/A	N/A	N/A	1,100	1,100	600	600	1,100
Broil/Bake Wattage	3,600/ 2,300	3,600/ 2,300	3,600/ 2,300	3,600/ 2,300	3,600/ 2,300	3,600/ 2,300	3,600/ 2,300	3,600/ 2,300	3,600/ 2,300	N/A
Warming Drawer Wattage	N/A	N/A	N/A	N/A	N/A	450	N/A	N/A	N/A	N/A
Third Element Wattage	2,750	2,750	2,750	2,750	2,750	2,750	2,750	2,750	2,750	N/A
Dual-Rated 120/208-240 Volts, 4 Wire, 60 Hz	■	■	■	■	■	■	■	■	■	N/A
Amps	30	40	40	30	40	40	40	40	50	20
Approx. Shipping Weight (lbs.)	215	342	342	214	366	360	302	254	390	44
Usable Oven Space Upper/Single (cu. ft.) ^{****}	4.1	4.1	4.1	4.1	4.1	1.6 (Microwave) 1.4 (Warming Drawer)	1.6	4.1	4.1	2.1
Usable Oven Space Lower (cu. ft.) ^{****}	N/A	4.5	4.1	N/A	4.1	4.1	4.1	N/A	4.1	N/A
Overall Volume Upper/Single (cu. ft.) ^{****}	4.9	4.9	4.9	4.9	4.9	2.1 (Microwave) 1.4 (Warming Drawer)	2.1	4.9	4.9	N/A
Overall Volume Lower (cu. ft.) ^{****}	N/A	4.9	4.9	N/A	4.9	4.9	4.9	N/A	4.9	N/A

BUILT-IN OVENS, MICROWAVES & WARMING DRAWERS

Built-In Oven General Information

MODEL NO.	SEC271/ SEC301	C271/ C301	SEC272/ SEC302	SECD272/ SECD302	C272/ C302	SEM272/ SEM302	SEMW272/ SEMW302	CM301	CM302
Configuration	Single	Single	Double	Double	Double	Double	Triple	Single	Double

APPEARANCE

All ovens available in stainless steel, black and white. SECD302 and SEC302 available in special mirrored finish as well.

Flat Front Styling	■		■	■		■	■		
Curved Front Styling		■			■			■	■
Professional Handle Available	■		■	■		■	■		
Large Viewing Window	■	■	■	■	■	■	■	■	■
New Robust Door Handle		■			■			■	■

CONTROLS

Personal Culinary Assistant™	■	■	■	■	■	■	■	■	■
Sens-a-Touch™ Control Panel	■	■	■	■	■	■	■	■	■
Single Touch Direct Access™	■	■	■	■	■	■	■	■	■
Comprehensive Status Display	■	■	■	■	■	■	■	■	■
Panel Lock	■	■	■	■	■	■	■	■	■
Independent Control of Upper and Lower Lighting			■	■	■				■

PERFORMANCE

Overall Volume (cu. ft.), 27"/30"	4.3/4.9	4.3/4.9	4.3/4.9	4.3/4.9	4.3/4.9	4.3/4.9	4.3/4.9	4.9	4.9
Concealed Bake Element	■	■	■	■	■	■	■	■	■
Advanced Third Element Convection	■	■	upper	■	■	lower	lower	■	■
Bake	■	■	■	■	■	■	■	■	■
Broil	■	■	■	■	■	■	■	■	■
Roast	■	■	■	■	■	■	■	■	■
Convection	■	■	■	■	■	■	■	■	■
Convection Bake	■	■	■	■	■	■	■	■	■
Convection Broil	■	■	■	■	■	■	■	■	■
Convection Roast	■	■	■	■	■	■	■	■	■
Dehydrate	■	■	■	■	■	■	■	■	■
Proof	■	■	■	■	■	■	■	■	■
Warm	■	■	■	■	■	■	■	■	■
Sabbath	■	■	■	■	■	■	■	■	■
CookSmart™ 1 (Breads/Desserts)								■	upper
CookSmart 2 (Large Roasts/Poultry)								■	upper
CookSmart 3 (Small Roasts/Poultry)								■	upper
CookSmart 4 (Vegetables/Fruit)								■	upper
CookSmart 5 (Frozen Foods)								■	upper
Defrost								■	upper
10-Pass Broil Element		■			■				lower
8-Pass Broil Element	■		■	■		■	■	■	upper
Tilt-up Control Panel (30" only)		■						■	

BUILT-IN OVENS, MICROWAVES & WARMING DRAWERS

Built-In Oven General Information

MODEL NO.	SEC271/ SEC301	C271/ C301	SEC272/ SEC302	SECD272/ SECD302	C272/ C302	SEM272/ SEM302	SEMW272/ SEMW302	CM301	CM302
Configuration	Single	Single	Double	Double	Double	Double	Triple	Single	Double
FAST PREHEAT MODES									
Bake	■	■	■	■	■	■	■	■	■
Roast	■	■	■	■	■	■	■	■	■
Convection	■	■	■	■	■	■	■	■	■
Convection Bake	■	■	■	■	■	■	■	■	■
Convection Roast	■	■	■	■	■	■	■	■	■
CONVENIENCE									
Self-Cleanable Rack Supports	■	■	■	■	■	■	■	■	■
CookControl™ Temperature Probe	■	■	■	■	■	■	■	■	■
Professional-Style Racks (#)	3	2	5	6	5	3	3	2	5
FullAccess™ Telescopic Racks (#)		1			1			1	1
Two-piece Porcelain Broil Pan	■	■	■	■	■	■	■	■	■
Forward Halogen Lighting	■	■	■	■	■	■	■		lower
Pyrolytic Self-Cleaning	■	■	■	■	■	■	■	■	■
Automatic Door Lock	■	■	■	■	■	■	■	■	■
Soft-Open Door Hinges	■	■	■	■	■	■	■	■	■
Convection Cookbook	■	■	■	■	■	■	■		
Speedcooking and Convection Cookbook								■	■
TECHNICAL									
Approvals	US/Canada	US/Canada	US/Canada	US/Canada	US/Canada	US/Canada	US/Canada	US	US

Warming Drawer General Information

MODEL NO.	WD24U	WD24Z	WD27U	WD27Z	WD30X	WD30Z
Cabinet Size	24"	24"	27"	27"	30"	30"
Warming Drawer Wattage 120 Volts, 2 Wire, 60 Hz, w/gnd.	450	450	450	450	450	450
Single Phase A.C., 20 Amps	■	■	■	■	■	■
Approx. Shipping Weight (lbs.)	54	54	70	70	72	72

Microwave General Information

MODEL NO.	MBBB	MBBW	MBBS
Cabinet Size	27" or 30"	27" or 30"	27" or 30"
Microwave Wattage	1100	1100	1100
Amps	15	15	15
Approx. Shipping Weight (lbs.)	44lbs	44lbs	44lbs

Notes: 1) All height, width and depth dimensions are shown in inches. For a detailed listing of approved cooktop models for this installation, please refer to oven installation instructions. 2) A 48" flexible metallic conduit is supplied with each oven. 3) The SEC301, C301 and CM301 ovens have been UL tested for installation with most Thermador cooktops. 4) Overhead ventilation is recommended for the cooktops as the Cook 'N' Vent® Hoodless Downdraft System cannot be installed with the under counter ovens due to cabinet space limitations. 5) Cooktop models that cannot be used in the installation include, but are not restricted to, all PC professional-style gas cooktops. 6) For a detailed listing of approved cooktop models for this installation, please refer to oven installation instructions. *Please refer to installation instructions prior to making cutout. Installation instructions are available at www.thermador.com **Largest door. ***Must be used in conjunction with MET27 or MET30 microwave trim kit. A minimum space of 1³/₄" is recommended between microwave cutout and lower single wall oven. A minimum space of 1¹/₂" is recommended between microwave cutout and lower warming drawer cutout.****Add 3/8" for Professional handle where available. †Add 1/16" height and 1/8" width for stainless steel models (SE-Series only). ††Measured from cabinet face. Add 3/4" for distance from drawer handle to cabinet face. †††Minimum 1/8" depth panel when using handle, minimum 3/8" depth when using cabinet hardware. ††††Overall Volume: The total volume of the cavity in which cooking takes place. Usable Oven Space: The volume inside the cooking cavity available for the placement of food.



All models are UL approved. All models except SM, SEMW and MBB are CUL approved.

For immediate critical installation dimensions by fax, use your fax handset and call (775) 833-3600. Use code #8030 for a directory of Thermador® products.