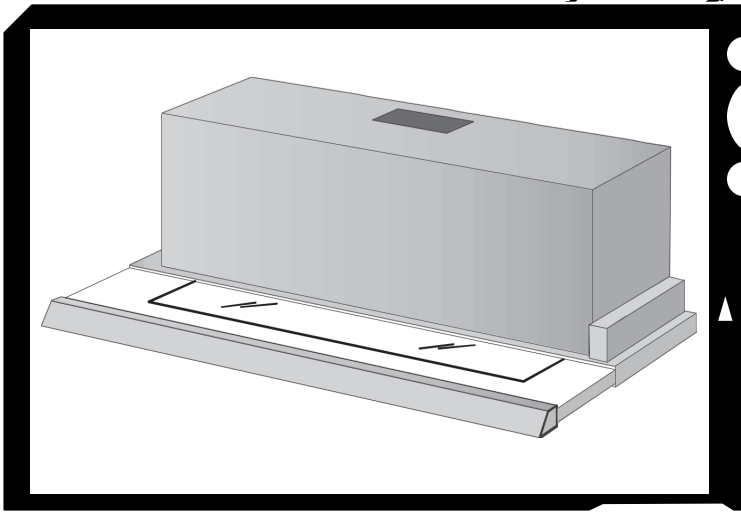


best[®]
by **BROAN**[®]



Model U102E

ENGLISH.....	2
FRANÇAIS.....	16
ESPAÑOL.....	30

BEST BY BROAN P.O. Box 140, Hartford, WI 53027
REGISTER YOUR PRODUCT ONLINE AT www.bestbybroan.com/register
99043487B

READ AND SAVE THESE INSTRUCTIONS

 **INTENDED FOR DOMESTIC COOKING ONLY** 

WARNING

TO REDUCE THE RISK OF FIRE, ELECTRIC SHOCK, OR INJURY TO PERSONS, OBSERVE THE FOLLOWING:

1. Use this unit only in the manner intended by the manufacturer. If you have questions, contact the manufacturer at the address or telephone number listed in the warranty.
2. Before servicing or cleaning unit, switch power off at service panel and lock service panel to prevent power from being switched on accidentally. When the service disconnecting means cannot be locked, securely fasten a prominent warning device, such as a tag, to the service panel.
3. Installation work and electrical wiring must be done by a qualified person(s) in accordance with all applicable codes and standards, including fire-rated construction codes and standards.
4. Sufficient air is needed for proper combustion and exhausting of gases through the flue (chimney) of fuel burning equipment to prevent backdrafting. Follow the heating equipment manufacturer's guidelines and safety standards such as those published by the National Fire Protection Association (NFPA), and the American Society for Heating, Refrigeration and Air Conditioning Engineers (ASHRAE), and the local code authorities.
5. When cutting or drilling into wall or ceiling, do not damage electrical wiring and other hidden utilities.
6. Ducted fans must always be vented to the outdoors.
7. Do not use this unit with any separate solid-state speed control device.
8. To reduce the risk of fire, use only metal ductwork.
9. This unit must be grounded.

TO REDUCE THE RISK OF A RANGE TOP GREASE FIRE:

- A. Never leave surface units unattended at high settings. Boilovers cause smoking and greasy spillovers that may ignite. Heat oils slowly on low or medium settings.
- B. Always turn hood ON when cooking at high heat or when flambing food (i.e. Crepes Suzette, Cherries Jubilee, Peppercorn Beef Flambe').
- C. Clean ventilating fans frequently. Grease should not be allowed to accumulate on fan or filter.
- D. Use proper pan size. Always use cookware appropriate for the size of the surface element.

WARNING

TO REDUCE THE RISK OF INJURY TO PERSONS IN THE EVENT OF A RANGE TOP GREASE FIRE, OBSERVE THE FOLLOWING:*

1. **SMOTHER FLAMES** with a close-fitting lid, cookie sheet, or metal tray, then turn off the burner. **BE CAREFUL TO PREVENT BURNS.** If the flames do not go out immediately, **EVACUATE AND CALL THE FIRE DEPARTMENT.**
2. **NEVER PICK UP A FLAMING PAN** - You may be burned.
3. **DO NOT USE WATER**, including wet dishcloths or towels - violent steam explosion will result.
4. Use an extinguisher **ONLY** if:
 - A. You know you have a Class ABC extinguisher and you already know how to operate it.
 - B. The fire is small and contained in the area where it started.
 - C. The fire department is being called.
 - D. You can fight the fire with your back to an exit.

* Based on "Kitchen Fire Safety Tips" published by NFPA.

CAUTION

1. To reduce risk of fire and to properly exhaust air, be sure to duct air outside. Do not vent exhaust air into spaces within walls or ceilings or into attics, crawl spaces, or garages.
2. Take care when using cleaning agents or detergents.
3. Avoid using food products that produce flames under the Range Hood.
4. For general ventilating use only. Do not use to exhaust hazardous or explosive materials and vapors.
5. To avoid motor bearing damage and noisy and/or unbalanced impellers, keep drywall spray, construction dust, etc. off power unit.
6. Your hood motor has a thermal overload which will automatically shut off the motor if it becomes overheated. The motor will restart when it cools down. If the motor continues to shut off and restart, have the hood serviced.
7. For best capture of cooking impurities, the bottom of the hood should be a minimum of 22-1/2" above the cooking surface.
8. Three installers are recommended because of the large size and weight of this hood.
9. This product is equipped with a thermostat which may start blower automatically. To reduce the risk of injury and to prevent power from being switched on accidentally, switch power off at service panel and lock or tag service panel.
10. To reduce the risk of fire and electric shock, the Best U102E Series hood must be installed with blower models EB6, EB9, EB12, EB15, ILB3, ILB6, ILB9 or ILB11 only. Other blowers cannot be substituted. (blowers sold separately).
11. Use with approved cord-connection kit only.
12. Please read specification label on product for further information and requirements.
13. Automatically operated device. To reduce the risk of injury, disconnect power before servicing.

OPERATION

For quiet operation and best capture of smoke, steam and other cooking impurities, always operate this unit with the slide-out visor fully open.

Controls

The hood is operated using the (5) push buttons located on the slide-out visor.

The **Light Off/On** switch turns the lights on to low intensity and turns them off.

The **Light Dimmer** switch alternates light intensity from low to high.

The **Blower Off/Speed** switch turns the blower off and changes blower speed to four different speed settings: high, medium-high, medium-low and low speed. Depress and hold the button for 2 seconds to turn the blower off.

The **Blower On/Speed** switch turns the blower on to four different speed settings: Low, medium-low, medium-high and high speed. The visor must be open for the blower to be operational.

The **LED Display**:

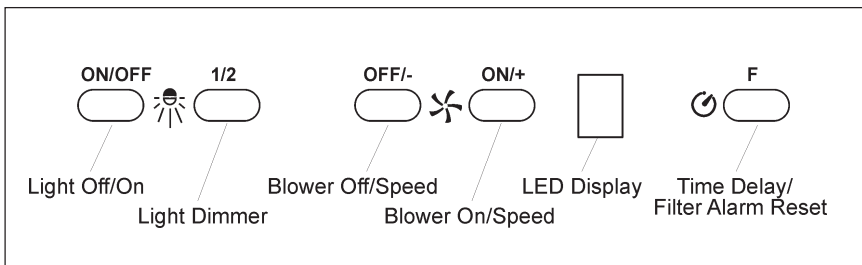
Indicates blower speed selection from 1 (lowspeed) to 4 (high speed).

Flashes the blower speed when the 10-minutes delay off has been activated.

After 30 hours of operation, the center segment of the display blinks and remains lit, indicating that filters need to be cleaned.

The **Time Delay** switch activates a delay off feature. When pushed, the blower will continue to operate at the current speed setting for 10-minutes before automatically turning itself off.

The **Filter Alarm Reset** switch is used to reset the 30-hour filter timer. After filters are cleaned or replaced, press this switch once to reset the filter clean alarm.



HEAT SENTRY™

Your hood is equipped with a HEAT SENTRY™ thermostat. This thermostat is a device that will turn on or speed up the blower if it senses excessive heat above the cooking surface.

1) If blower is OFF - it turns blower ON to HIGH speed.

2) If blower is ON at a lower speed setting - it turns blower up to HIGH speed.

When the temperature level drops to normal, the blower will return to its original setting.

⚠ WARNING : The HEAT SENTRY thermostat can start the blower even if the hood is turned OFF. When this occurs, it is impossible to turn the blower OFF with its switch. If you must stop the blower, do it from the main electrical panel.

HALOGEN BULBS

This range hood requires two halogen bulbs (Type T3, 12Volt, 20Watt Max, G-4 Base).

⚡ WARNING: Always switch off the electricity supply before carrying out any operations on the appliance.

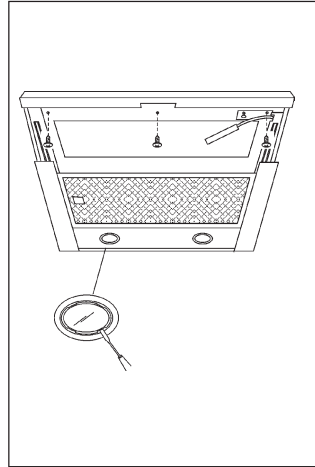
To change bulbs:

1. Open the cover by prying from the proper slots.
- DO NOT ROTATE.

⚠ CAUTION: Bulb may be hot.

2. Replace with a Type T3, 12Volt, 20Watt Max, G-4 Base bulb. Do not touch replacement bulb with bare hands!

DO NOT use bulbs greater than 20 Watts. Bulbs greater than 20 Watts will cause the fuse to open.



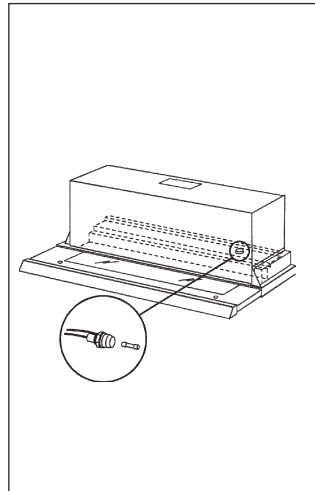
FUSE REPLACEMENT

IF LIGHTS FAIL TO OPERATE, DISCONNECT POWER AT THE SERVICE ENTRANCE. CHECK THE FUSE AND REPLACE IF NECESSARY.

1. Remove the grease filter and pull the visor open.
2. Locate the fuse holder on the top right hand side of the light housing.
3. Unscrew the fuse holder cap and remove the fuse.
4. Replace the fuse with the same size and amperage (5 x 20mm, 4 amp, 125 volt).

DO NOT use fuses greater than 4 Amps. Fuses greater than 4 Amps may damage the transformer.

5. Reinstall the fuse cap and grease filter.
6. Reconnect power at the service entrance.



MAINTENANCE

Proper maintenance of the Range Hood will assure proper performance of the unit.

Before Servicing Or Cleaning Unit, Switch Power Off At Service Panel And Lock Service Disconnecting Means To Prevent Power From Being Switched On Accidentally.

When The Service Disconnecting Means Cannot Be Locked, Securely Fasten A Prominent Warning Device, Such As A Tag, To The Service Panel.

Grease Filters

The grease filters should be cleaned when the LED Display flashes when the blower is off (i.e. 30 hours of operation). Use a warm detergent solution to clean filters. Filters are dishwasher safe. See page 13 for filter removal and installation instructions.

Hood Cleaning

Stainless steel is one of the easiest materials to keep clean. Occasional care will help preserve its fine appearance.

Cleaning tips:

1. Hot water with soap or detergent is all that is usually needed.
2. Follow all cleaning by rinsing with clear water. Wipe dry with a clean, soft cloth to avoid water marks.
3. For discolorations or deposits that persist, use a non-scratching household cleanser or stainless steel polishing powder with a little water and a soft cloth.
4. For stubborn cases, use a plastic scouring pad or soft bristle brush together with cleanser and water. Rub lightly in direction of polishing lines or "grain" of the stainless finish. Avoid using too much pressure which may mar the surface.
5. **DO NOT** allow deposits to remain for long periods of time.
6. **DO NOT** use ordinary steel wool or steel brushes. Small bits of steel may adhere to the surface causing rust.
7. **DO NOT** allow salt solutions, disinfectants, bleaches, or cleaning compounds to remain in contact with stainless steel for extended periods. Many of these compounds contain chemicals which may be harmful. Rinse with water after exposure and wipe dry with a clean cloth.

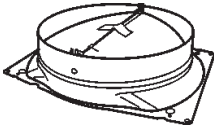
Painted surfaces should be cleaned with warm water and mild detergent only.

PREPARE THE HOOD

Unpack hood and check contents.

You should receive:

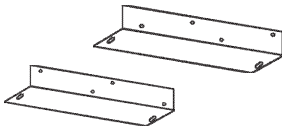
- 1 - Hood
- 1 - 8" Damper / Duct Connector
- 1 - Glass Visor
- 1 - Decorative Spacer
- 1 - Parts Bag containing:
 - 2 - Mounting Brackets
 - 4 - Machine Screws (M4 x 30mm Pan Head)
 - 7 - Mounting Screws (3.9 x 9.5mm Pan Head)
 - 4 - Flat Washers (4 mm diameter)
 - 8 - Screws (4.2 x 15mm Pan Head)
- 1 - Installation Instructions



8" DAMPER/DUCT CONNECTOR



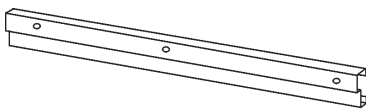
GLASS VISOR



2 MOUNTING BRACKETS



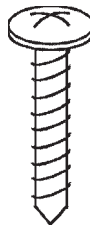
4 FLAT WASHERS



DECORATIVE SPACER



4 MACHINE SCREWS
(M4 x 30mm PAN HEAD)



8 MOUNTING SCREWS
(4.2 x 15mm PAN HEAD)

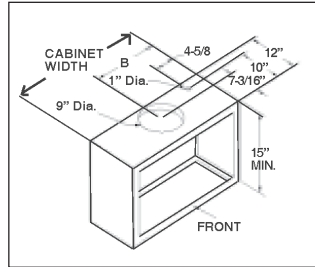
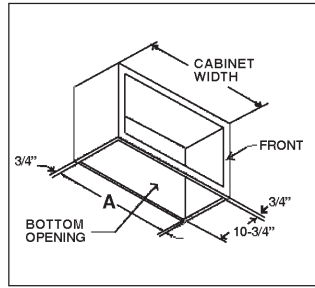


7 MOUNTING SCREWS
(3.9 x 9.5mm PAN HEAD)

PREPARE WALL CABINET

1. Prior to wall cabinet installation, remove doors and door mounting hardware.
2. Cut an opening into the bottom panel to the dimensions shown.
3. Cut out openings for the duct and electrical wiring.
4. Install cabinet on the wall and secure per cabinet manufacturer's recommendations. The cabinet must be securely fastened to studs and framing behind the drywall prior to hood installation.

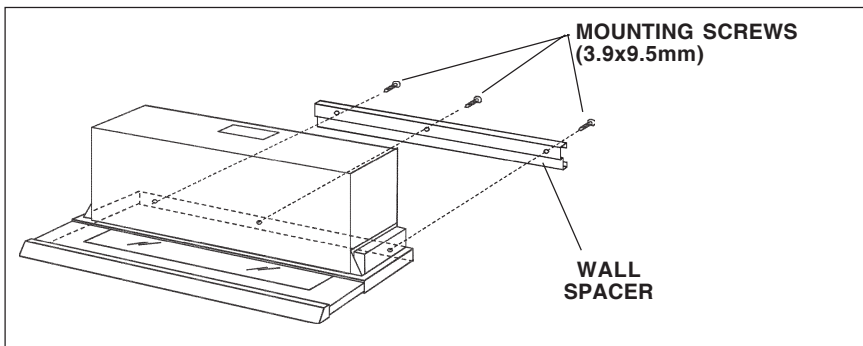
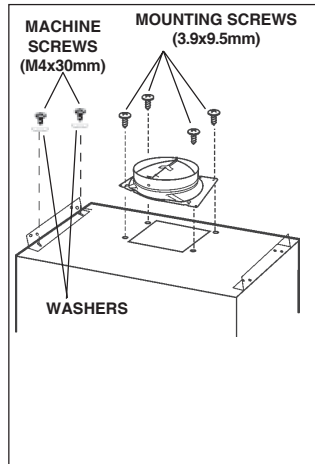
Cabinet- Widht	"A"	"B"
30"	28-1/2"	15"
36"	34-1/2"	18"
42"	40-1/2"	21"



PREPARE THE HOOD

1. Loosely assemble both mounting brackets to the hood using M4 x 30mm machine screws and flat washers.
2. Place the 8" damper/duct connector on top of the range hood discharge opening. Remove tape from damper flaps. Secure with (4) 3.9 x 9.5mm screws.
3. Assemble wall spacer to the hood with (3) 3.9 x 9.5mm screws.

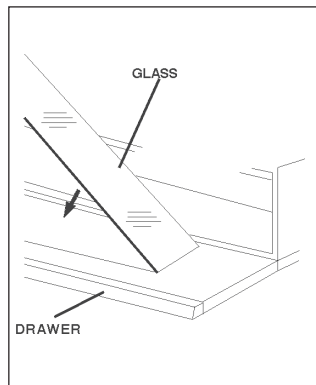
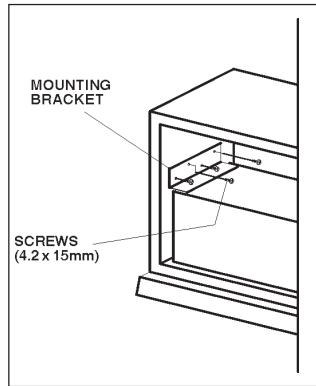
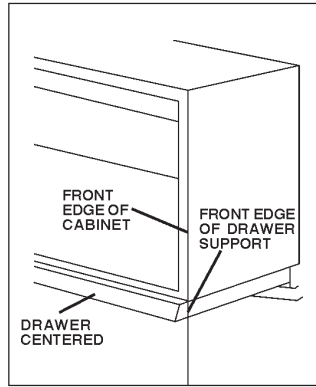
NOTE: The spacer is designed to fill a 5/8" gap between the wall and the back of the hood. If the gap is larger, a non-combustible material that is in compliance with local building codes must be used to fill this gap.



INSTALL THE HOOD

NOTE: At least three people will be required to mount the hood.

1. Raise the hood up into the wall cabinet. Adjust brackets to contact inside walls of the cabinet.
2. Make sure the front edge of the hood drawer support is aligned with the front of the wall cabinet. Center the hood on the wall cabinet.
3. Tighten the (4) mounting bracket machine screws previously installed.
4. Fasten the hood to the cabinet with (8) 4.2 x 15mm pan head screws.
Make sure that screws will not penetrate finished cabinet side walls.
5. Open the slide out drawer. Place the glass panel into the open recessed area of the drawer.
6. Slide glass left or right until it is centered in the opening and securely retained.



EXTERIOR OR IN-LINE BLOWER SELECTION

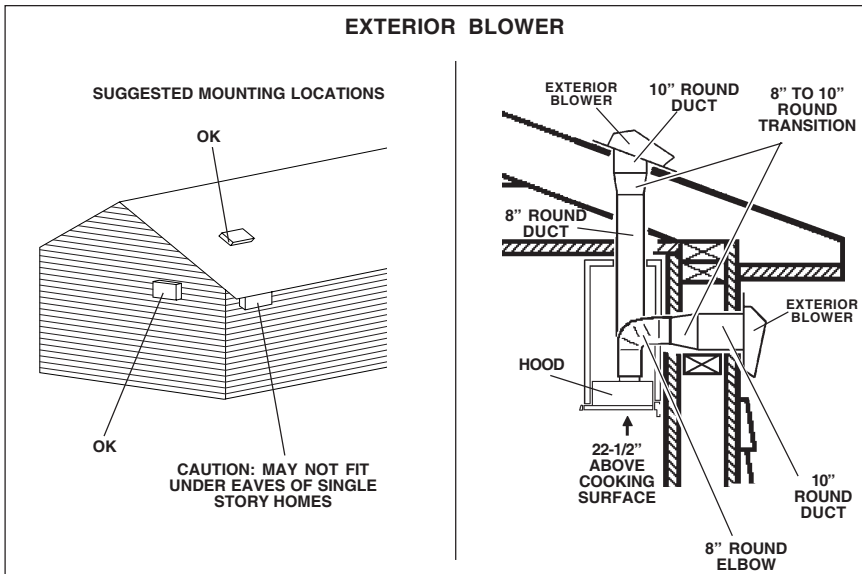
CAUTION: Either an exterior blower or in-line blower may be used with this hood. The U102E hood must be installed with blower models EB6, EB9, EB12, EB15, ILB3, ILB6, ILB9, or ILB11 only. Other Blowers cannot be substituted (Blowers sold separately).

The blower must be **UL** listed for Canadian and **U.S.** use, and evaluated for use with solid state speed control, rated 120V, 60 Hz, 6.0 A max.

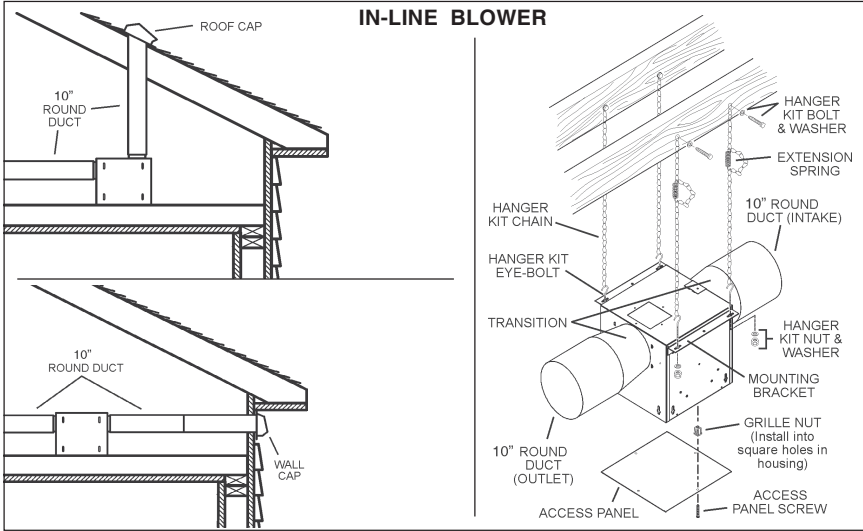
INSTALL THE DUCTWORK

NOTE: To reduce the risk of fire, use only metal ductwork.

1. Choose the location where the Exterior or In-Line Blower will be mounted. See illustrations below for mounting location suggestions and restrictions.
2. A straight, short duct run will allow the hood to perform most efficiently.
3. Long duct runs, elbows and transitions will reduce the performance of the hood. Use as few of them as possible. Larger ducting may be required for best performance with long duct runs.
4. After the Exterior or In-Line Blower has been installed, connect round metal ductwork and work back towards the hood location. Use duct tape to seal joints between ductwork sections.
5. An 8" round to 10" round transition (Model 414) is required. For best air performance, install the transition as close to the range hood as possible.



IN-LINE BLOWER



WIRING

⚠ CAUTION: All electrical wiring should be done by a qualified person (s) in accordance with all applicable codes and standards. This range hood must be properly grounded.

Do not turn power on at service panel until all wires have been connected.

Blower connection at hood:

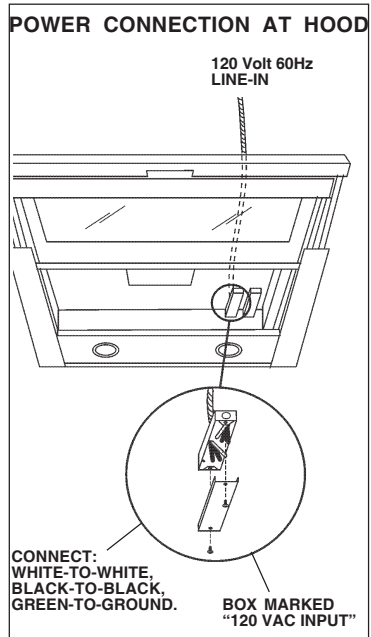
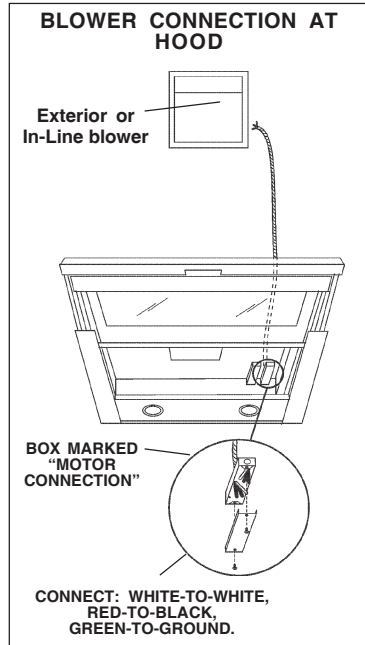
1. Run 2-wire plus ground power cable from the Exterior or In-Line Blower to the hood's wiring box marked "motor connection".
2. Remove the cover from the wiring box and remove one knockout.
3. Secure the conduit to the wiring box through a conduit connector.
4. Make electrical connections at the hood. Connect white-to-white, **red-to-black** and green-to-ground.
5. Replace the wiring box cover and screws. Make sure wires are not pinched between the cover and box.

Exterior or In-line blower connection:

1. Make electrical connections at the exterior or in-line blower (see instructions provided with the exterior or in-line blower).

Power connection at hood:

1. Run 120 VAC electrical power cable to the hood wiring box marked "120VAC input".
2. Remove the cover from the wiring box and remove one knockout.
3. Secure the conduit to the wiring box through a conduit connector.
4. Make electrical connections at the hood. Connect white-to-white, **black-to-black** and green-to-ground.
5. Replace the wiring box cover and screws. Make sure wires are not pinched between the cover and box.

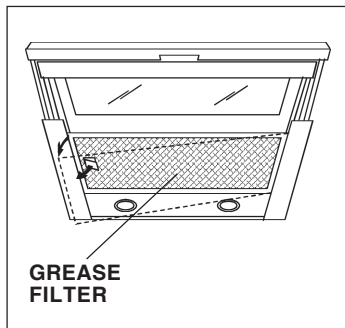


INSTALL FILTERS

To install the GREASE filter, grip the latch tab and pull it down. This will disengage the filter from the hood.

To remove the GREASE filter, align filter tabs on the side of the filter with slots in the hood drawer. Pull latch tab down, push filter up into place and release the tab.

Make sure the filter is securely engaged after assembly.



WARRANTY

BROAN ONE YEAR LIMITED WARRANTY

Broan warrants to the original consumer purchaser of its products that such products will be free from defects in materials or workmanship for a period of one year from the date of original purchase. THERE ARE NO OTHER WARRANTIES, EXPRESS OR IMPLIED, INCLUDING, BUT NOT LIMITED TO, IMPLIED WARRANTIES OR MERCHANT ABILITY OR FITNESS FOR A PARTICULAR PURPOSE.

During this one-year period, Broan will, at its option, repair or replace, without charge, any product or part which is found to be defective under normal use and service.

THIS WARRANTY DOES NOT EXTEND TO FLUORESCENT LAMP STARTERS, TUBES, HALOGEN AND INCANDESCENT BULBS. This warranty does not cover (a) normal maintenance and service or (b) any products or parts which have been subject to misuse, negligence, accident, improper maintenance or repair (other than by Broan), faulty installation or installation contrary to recommended installation instructions.

The duration of any implied warranty is limited to the one-year period as specified for the express warranty. Some states do not allow limitation on how long an implied warranty lasts, so the above limitation may not apply to you.

BROAN'S OBLIGATION TO REPAIR OR REPLACE, AT BROAN'S OPTION, SHALL BE THE PURCHASER'S SOLE AND EXCLUSIVE REMEDY UNDER THIS WARRANTY. BROAN SHALL NOT BE LIABLE FOR INCIDENTAL, CONSEQUENTIAL OR SPECIAL DAMAGES ARISING OUT OF OR IN CONNECTION WITH PRODUCT USE OR PERFORMANCE. Some states do not allow the exclusion or limitation of incidental or consequential damages, so the above limitation or exclusion may not apply to you.

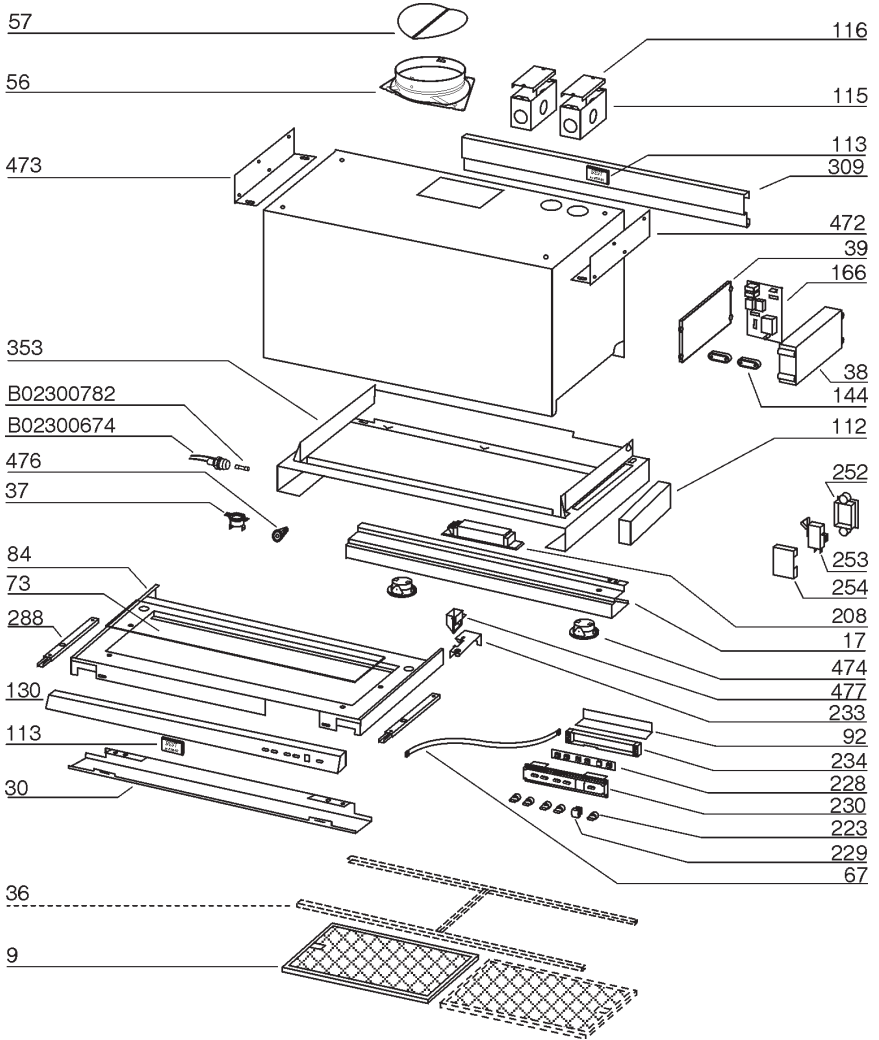
This warranty gives you specific legal rights, and you may also have other rights, which vary from state to state. This warranty supersedes all prior warranties.

To qualify for warranty service, you must (a) notify Broan at the address stated below or telephone: 1-800-637-1453, (b) give the model number and part identification and (c) describe the nature of any defect in the product or part. At the time of requesting warranty service, you must present evidence of the original purchase date.

BEST BY BROAN, P.O. Box 140 Hartford, Wisconsin 53027

SERVICE PARTS

MODEL U102E



SERVICE PARTS

MODEL U102E- Parts for stainless steel models shown. For service parts for black, white, polished brass, or brushed copper models, call Broan Customer Service.

KEY NO.	PART NO.	DESCRIPTION
9	B08087077	Grease filter (36" model)
9	B08087016	Grease filter (30" model)
9	B08087017	Grease filter (42" model)
17	BE3347241	Halogen Support (36" model)
17	BE3347372	Halogen Support (30" model)
17	BE3347378	Halogen Support (42" model)
30	BE3347340	Controls protection (36" model)
30	BE3347370	Controls protection (30" model)
30	BE3347259	Controls protection (42" model)
36	BE3403716	Filter Frame (36" model)
36	BE3403765	Filter Frame (42" model)
37	B02300804	Heat Sentry
38	B03292357	Electrical Box
39	B03294033	Electrical Box Cover
73	B02005069	Glass (36" model)
73	B02005070	Glass (30" model)
73	B02005071	Glass (42" model)
84	BE3403714	Display visor (36" model)
84	BE3403752	Display visor (30" model)
84	BE3403762	Display visor (42" model)
112	B03294746	Wiring Protection
113	B02011284	Name Plate
115	BE3334250	Wiring Box
116	BE3334252	Wiring Box Cover
130	B003101208	Front Panel (36" model)
130	B003101220	Front Panel (30" model)
130	B003101227	Front Panel (42" model)
144	B03292287	Wire Clamp
166	B08086701	Wiring Board
208	B02300783	Transformer
223	B03294171	Switch botton
233	B03294740	Closing
252	B03292349	Microswitch box
253	B02300620	Microswitch
254	B03292350	Microswitch box cover
288	B020111650	Runner ball
309	B003101216	Spacer (36" model)
309	B003101222	Spacer (30" model)
309	B003101228	Spacer (42" model)
353	BE3403713	Display support (36" model)
353	BE3403751	Display support (30" model)
353	BE3403761	Display support (42" model)
472	BE3347252	Right Bracket
473	BE3347251	Left Bracket
474	B02300733	Halogen Lamp
476	B03292203	Spacer Panel
477	B03294785	Upper Closing
998	B080810599	Hardware Package
ARU	B08092501	Flange + Non Return Flap Assembly (56,57)
*	B06108277	Switch Box Assembly: includes Key Nos. 234, 228, 223, 229, 67, 230, 92)
-	B02300782	Fuse
-	B02300674	Fuse Holder

* Not shown assembled.

LISEZ ET CONSERVEZ CES INSTRUCTIONS



POUR USAGE DOMESTIQUE SEULEMENT



AVERTISSEMENT

POUR REDUIRE LES RISQUES D'INCENDIE, DE DECHARGES ELECTRIQUES OU DE DOMMAGES AUX PERSONNES, OBSERVEZ LES INSTRUCTIONS SUIVANTES:

1. N'utilisez cet appareil que comme cela est indiqué par le constructeur. Si vous avez des problèmes, contactez le fabricant à l'adresse ou au numéro de téléphone indiqués dans la garantie.
2. Avant de pourvoir à l'entretien ou au nettoyage de votre appareil, éteignez-le au tableau des commandes ou bloquez le tableau des commandes afin d'éviter de le mettre en marche accidentellement. Si vous ne pouvez pas bloquer le système permettant d'éteindre votre appareil, appliquez un avertissement extérieur d'une façon sûre, comme par exemple un panneau, sur le tableau des commandes.
3. L'assemblage et la connexion électrique doivent être faits par des personnes qualifiées en respectant les normes et règlements en vigueur, y compris les normes et règlements concernant les possibilités d'incendie.
4. Il est indispensable qu'il y ait suffisamment d'air pour que la combustion et l'évacuation des gaz à travers le tuyau du brûleur du combustible ait lieu sans retour de flamme. Suivez les indications données par le fabricant du brûleur ainsi que les normes de sécurité comme celles qui sont publiées par l'Association Nationale pour la Protection contre les Incendies National Fire Protection Association (NFPA) et la American Society for Heating, Refrigeration and Air Conditioning Engineers (ASHRAE), et les autorités locales en matière de normes.
5. Quand vous coupez ou percez des trous dans le mur ou le plafond, n'abîmez pas les fils électriques ou autres.
6. Le ventilateur canalisé doit toujours évacuer l'air vers l'extérieur.
7. N'utilisez pas cet appareil avec un appareil contrôlant la vitesse à état solide.
8. Afin de diminuer tout risque d'incendie n'utilisez que des conduits en métal.
9. Votre appareil doit être relié à la terre.

ATTENTION - POUR REDUIRE LES RISQUES D'INCENDIE DES MATIERES GRASSES QUI SONT EN TRAIN DE CUIRE:

- A. Ne laissez jamais ni vos éléments chauffants, ni vos casseroles ou poêles sur le feu sans les contrôler si vous réglez l'apport de chaleur sur une position élevée. Si vos casseroles ou poêles débordent cela provoque de la vapeur et des éclaboussures de graisse qui peuvent prendre feu. Chauffez les huiles lentement à feu bas ou moyen.
- B. Faites toujours fonctionner votre hotte quand vous cuisinez à des températures élevées ou quand vous cuisinez des plats flambés. (par ex. crêpes Suzette, Cerises "Jubilé", Steak au poivre flambé).
- C. Nettoyez régulièrement les ailes de vos ventilateurs. Ne permettez pas que la graisse s'accumule sur le ventilateur ou sur le filtre.
- D. Utilisez des casseroles de taille appropriée. Utilisez toujours des ustensiles de cuisson dont la taille est appropriée à la surface de votre élément de cuisson.



AVERTISSEMENT

POUR REDUIRE LES RISQUES DE DOMMAGES AUX PERSONNES AU CAS OÙ VOTRE CUISINIÈRE PRENDRAIT FEU, OBSERVEZ LES INSTRUCTIONS SUIVANTES:*

1. ÉTEINDRE LES FLAMMES à l'aide d'un couvercle le plus hermétique possible, une plaque à gâteaux, ou un plateau en métal, puis éteindre le brûleur. ATTENTION à NE PAS VOUS BRÛLER. Si les flammes ne s'éteignent pas immédiatement, SORTEZ ET APPELEZ LES POMPIERS.
2. NE PRENEZ JAMAIS EN MAIN UNE POÊLE OU UNE CASSEROLE QUI A PRIS FEU - Vous pourriez vous brûler.
3. N'UTILISEZ PAS D'EAU, ni torchons ou serviettes mouillés - vous provoqueriez une violente explosion de vapeur.

4. Utilisez un extincteur SEULEMENT si:
 - A. Vous savez que vous avez un extincteur Classe ABC, et vous en connaissez déjà le mode d'emploi.
 - B. Ce n'est pas un très gros incendie et qu'il se limite à l'endroit où il a explosé.
 - C. Vous êtes en train d'avertir les pompiers.
 - D. Vous avez la possibilité d'essayer d'éteindre l'incendie en ayant le dos tourné vers une issue.
- * D'après les "Suggestions concernant la Sécurité contre les incendies des cuisines" publiées par NFPA.

ATTENTION

1. Pour réduire tout risque d'incendie et pour évacuer correctement l'air, assurez-vous de prévoir un conduit de ventilation extérieur. Ne videz pas l'air dans les espaces limités par des murs ou des plafonds, les combles, les passages étroits ou les garages.
2. Faites très attention quand vous utilisez des produits de nettoyage ou des détergents.
3. Évitez d'utiliser des aliments pouvant s'enflammer sous la Range Hood.
4. N'utilisez cet appareil que pour une ventilation générale. Ne l'utilisez pas pour évacuer des matières ou des vapeurs dangereuses ou qui peuvent exploser.
5. Pour éviter de causer des dommages au moteur et de rendre les rotors bruyants et/ou non équilibrés, évitez que les sprays pour murs secs, la poussière de construction entrent en contact avec la partie électrique.
6. Le moteur de votre hotte a un thermostat qui éteindra automatiquement le moteur s'il est surchauffé. Le moteur se remettra en marche lorsqu'il se sera refroidi. Si le moteur continue à s'éteindre et à se remettre en marche, faites vérifier votre hotte.
7. Pour mieux capturer les impuretés de cuisine, le bas de votre hotte devrait être à une distance minimum de 22-1/2" (57.1 cm) au-dessus du plan de cuisson.
8. Vu que cette hotte est grande et lourde, il est recommandé de confier l'installation de cette hotte à 3 personnes.
9. Ce produit est doté d'un thermostat qui active automatiquement le moteur. Pour réduire le risque de dommages et éviter l'activation accidentelle, positionner l'interrupteur du panneau de service sur la position OFF et bloquer le panneau de service ou mettre un avertissement externe, par exemple une plaquette.
10. Pour réduire les risques d'incendie et de choc électrique, la hotte Série Best U102E doit uniquement être installée avec les ventilateurs de modèle EB6, EB9, EB12, EB15, ILB3, ILB6, ILB9 ou ILB11. Aucun autre ventilateur ne peut être substitué. (Ventilateur vendu séparément.)
11. Utiliser uniquement avec un kit de connexion pour alimentation homologué.
12. Nous vous recommandons de lire l'étiquette indiquant les caractéristiques de votre hotte pour de plus amples informations et exigences.
13. Appareils avec fonctionnement automatique. Pour réduire les risques de décharges, débrancher avant l'entretien.

FONCTIONNEMENT

Pour l'opération silencieuse et la meilleure capture de la fumée, la vapeur et d'autres impuretés à cuire, actionnent toujours cette unité avec glissent-dehors la visière coulissante.

Commandes

La hotte fonctionne à l'aide de cinq (5) boutons-poussoirs situés sur la visière coulissante.

L'interrupteur d'**Éclairage Marche/Arrêt** allume les lumières à la plus faible intensité et les éteint.

Le **Gradateur d'éclairage** fait passer l'éclairage de faible à intense.

L'interrupteur de **Ventilateur Arrêt/Régime** arrête le ventilateur ou change sa vitesse selon quatre régimes différents : élevé, moyen-élevé, moyen-faible et faible régime. Si l'on maintient le bouton enfoncé pendant 2 secondes, le ventilateur s'arrête.

L'interrupteur de **Ventilateur Marche/Régime** actionne le ventilateur ou change sa vitesse selon quatre régimes différents : faible, moyen-faible, moyen-élevé et élevé. La visière doit être ouverte pour que le ventilateur fonctionne.

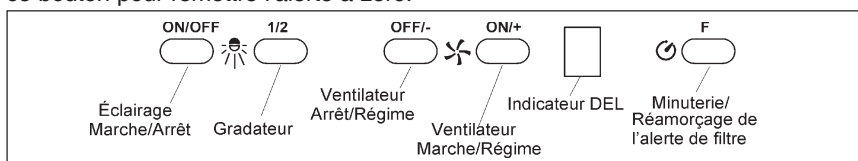
L'Indicateur DEL :

Il indique la vitesse du ventilateur de 1 (régime faible) à 4 (régime élevé). Il indique en clignotant la vitesse du ventilateur lorsque la minuterie de 10 minutes est activée.

Après 30 heures d'utilisation, le segment central de l'indicateur clignote puis demeure allumé, indiquant que les filtres doivent être nettoyés.

L'**Interrupteur de minuterie** actionne un dispositif de minuterie qui se trouve désactivé. Lorsque l'on appuie sur ce bouton, le ventilateur continue à fonctionner pendant 10 minutes au régime réglé, puis s'arrête automatiquement.

Le bouton de **Réamorçage de l'alerte de filtre** remet le compteur de 30 heures à zéro pour les filtres. Après avoir nettoyé ou remplacé les filtres, appuyez une fois sur ce bouton pour remettre l'alerte à zéro.



HEAT SENTRY^{MC}

Votre hotte est munie d'un thermostat HEAT SENTRY^{MC}. Ce thermostat est un dispositif qui actionnera ou augmentera la vitesse du ventilateur s'il détecte une chaleur excessive au-dessus de la surface de cuisson.

- 1) Si le ventilateur n'est pas en marche - il actionnera le ventilateur en haute vitesse.
- 2) Si le ventilateur fonctionne en basse vitesse - le ventilateur tournera en haute vitesse.

Lorsque la température revient à la normale, le ventilateur retourne à sa vitesse d'origine.

⚠ AVERTISSEMENT : Le thermostat HEAT SENTRY^{MC} peut actionner la hotte même si la hotte est arrêtée. Si tel est le cas, il est impossible de l'arrêter avec l'interrupteur. Si vous devez arrêter le ventilateur, faites-le à partir du panneau électrique principal.

AMPOULES HALOGENES

Cette hotte requiert deux ampoules halogènes (Type T3, 12Volt, 20Watt Max, G-4 Base).



AVERTISSEMENT : Coupez toujours l'alimentation électrique avant d'effectuer tous travaux sur l'appareil.

Pour remplacer les ampoules :

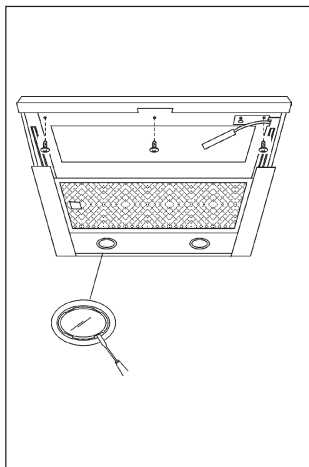
1. Ouvrez le couvercle en faisant levier dans les fentes appropriées. **NE LE TOURNEZ PAS.**



ATTENTION : L'ampoule peut être très chaude.

2. Remplacez-la par une ampoule halogène de type T3, 12Volt, 20Watt Max, G-4 Base. Ne touchez pas l'ampoule de rechange avec les mains nues !

N'employez pas watts plus grands que d'ampoules les 20. Watts plus grands que d'ampoules les 20 feront ouvrir le fusible.



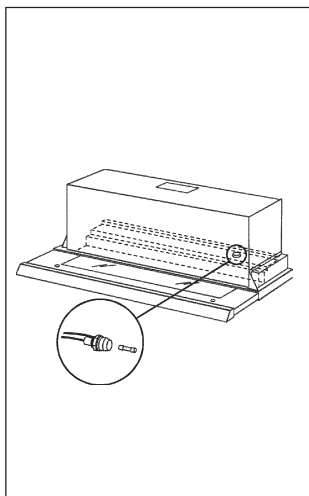
REPLACEMENT DU FUSIBLE

SI LES LUMIÈRES NE S'ALLUMENT PAS, COUPEZ LE COURANT AU PANNEAU D'ALIMENTATION ÉLECTRIQUE. VÉRIFIEZ LE FUSIBLE ET REMPLACEZ-LE, LE CAS ÉCHÉANT.

1. Enlevez le filtre à graisse et ouvrez la visière.
2. Repérez le porte-fusible du côté supérieur droit du boîtier d'éclairage.
3. Dévissez le capuchon du porte-fusible et retirez le fusible.
4. Remplacez-le par un fusible de même taille et de même intensité (5 x 20 mm, 4 ampères, 125 volts).

N'utilisez pas les fusibles 4 ampères plus grands que. Les fusibles 4 ampères plus grands que peuvent endommager le transformateur.

5. Remplacez le capuchon du porte-fusible et le filtre à graisse.
6. Rétablissez le courant au panneau électrique.



ENTRETIEN

Un entretien adéquat de la hotte assurera son bon fonctionnement.

Filtres à graisse

Les **filtres à graisse** doivent être nettoyés lorsque l'Indicateur DEL clignote quand le ventilateur est à l'arrêt (c.-à-d. après 30 heures de fonctionnement). Utilisez une solution tiède de détergent pour les nettoyer. Ces filtres peuvent aller au lave-vaisselle. Voir comment enlever et installer les filtres à la page 27.

Nettoyage de la hotte

L'acier inoxydable est l'un des matériaux les plus faciles à nettoyer. Quelques soins contribueront à préserver sa belle apparence.

Conseils de nettoyage :

1. Il suffit habituellement d'utiliser de l'eau chaude savonneuse ou additionnée de détergent.
2. Après le nettoyage, rincez toujours à l'eau claire. Essuyez la surface avec un chiffon propre et doux pour éviter les stries.
3. Pour les ternissures ou les dépôts tenaces, utilisez un nettoyant domestique non-abrasif ou une poudre à polir l'acier inoxydable avec un peu d'eau et un chiffon doux.
4. Pour la saleté rebelle, utilisez un tampon à récurer en plastique ou une brosse à poils doux avec un nettoyant et de l'eau. Frottez doucement dans le sens des lignes de polissage ou du " grain " de l'acier. Évitez de trop appuyer au risque de gâcher la surface.
5. **NE LAISSEZ PAS** les dépôts s'accumuler trop longtemps.
6. **N'UTILISEZ PAS** une laine d'acier ordinaire ou une brosse d'acier. De petites particules d'acier risqueraient d'adhérer à la surface et de la faire rouiller.
7. **NE LAISSEZ PAS** une solution saline, un désinfectant, de l'eau de javel ou tout autre produit détachant rester longtemps en contact avec l'acier inoxydable. Bon nombre de ces nettoyants contiennent des produits pouvant en altérer la surface. Après l'utilisation du nettoyant, rincez la surface à l'eau et essuyez-la avec un chiffon propre.

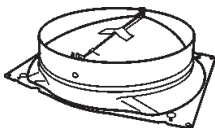
Nettoyez les surfaces peintes uniquement à l'eau tiède avec un détergent doux.

PRÉPARATION DE LA HOTTE

Déballer la hotte et vérifiez le contenu de la boîte.

Celle-ci doit contenir les éléments suivants :

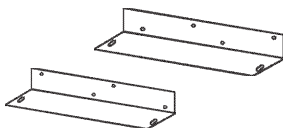
- 1 - Hotte
- 1 - Clapet / Raccord de conduit de 20,3 cm (8 po)
- 1 - Visière de verre
- 1 - Cale décorative
- 1 - Sac de pièces contenant :
 - 2 - Brides de montage
 - 4 - Vis mécanique (M4 x 30 mm - à tête cylindrique)
 - 7 - Vis de montage (3.9 x 9,5 mm - à tête cylindrique)
 - 4 - Rondelles (de 4 mm de diamètre)
 - 8 - Vis (4.2 x 15 mm - à tête cylindrique)
- 1 - Directives d'installation



CLAPET / RACCORD DE CONDUIT
DE 20,3 CM (8 PO)



VISIÈRE DE VERRE



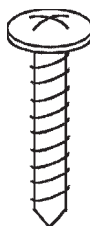
2 BRIDES DE MONTAGE



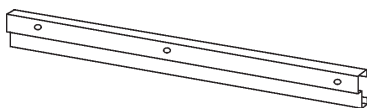
4 RONDELLES



4 VIS MÉCANIQUES
(M4 X 30 MM - À TÊTE
CYLINDRIQUE)



8 VIS MÉCANIQUES
(4.2 X 15 MM - À TÊTE
CYLINDRIQUE)



CALE DÉCORATIVE

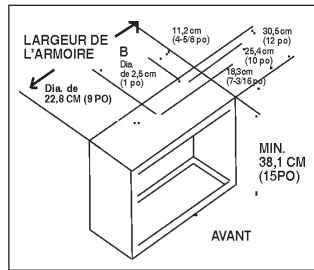
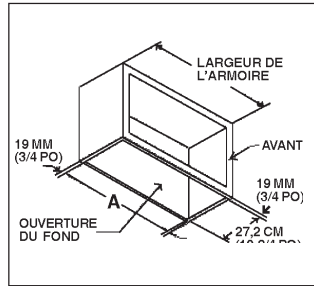


7 VIS DE MONTAGE
(3.9 X 9.5 MM - À TÊTE
CYLINDRIQUE)

PRÉPARATION DE L'ARMOIRE

1. Avant d'installer l'armoire, enlevez les portes et les charnières.
2. Découpez une ouverture dans le fond conformément aux dimensions illustrées.
3. Découpez les ouvertures requises pour les conduits et le câblage électrique.
4. Installez l'armoire au mur et fixez-la conformément aux recommandations du fabricant. L'armoire doit être solidement fixée aux montants du mur et à la charpente derrière la cloison sèche avant d'installer la hotte.

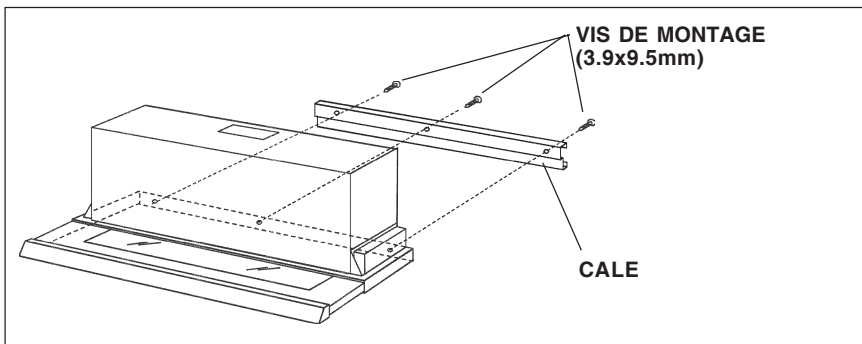
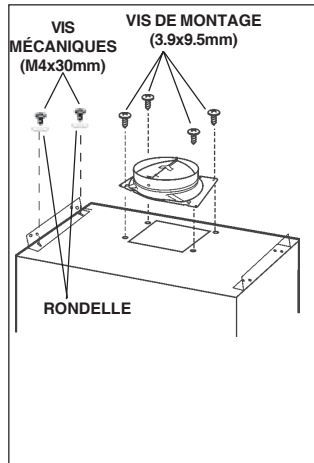
LARGEUR DE L'ARMOIRE	"A"	"B"
30 po	28 1/2 po	15 po
36 po	34 1/2 po	18 po
42 po	40 1/2 po	21 po



PRÉPARATION DE LA HOTTE

1. Assemblez les brides de montage sur la hotte sans les serrer à l'aide des vis mécaniques M4 x 30 mm et des rondelles.
2. Placez le clapet / raccord de conduit de 20,3 cm (8 po) sur l'ouverture de sortie du dessus de la hotte. Enlevez le ruban qui retient les volets du clapet. Fixez-le avec (4) vis de 3,9 x 9,5 mm.
3. Assemblez la cale sur la hotte avec trois (3) vis de 3,9 x 9,5 mm.

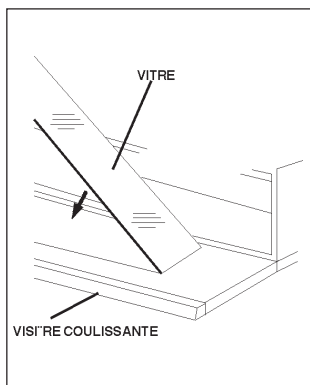
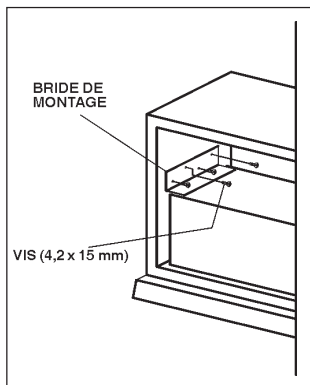
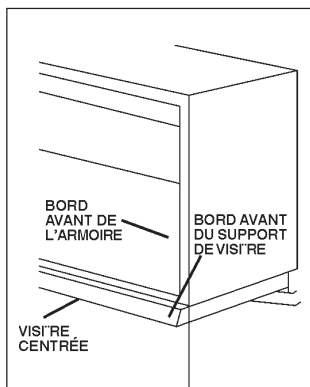
REMARQUE : La cale est conçue pour remplir l'espace de 1,5 cm (5/8 po) entre le mur et l'arrière de la hotte. Si l'espace est plus grand, utilisez un matériau non combustible conforme aux codes de construction locaux pour remplir l'espace.



INSTALLATION DE LA HOTTE

REMARQUE : L'installation de la hotte nécessite au moins trois personnes.

1. Soulevez la hotte dans l'armoire. Ajustez les brides pour qu'elles touchent les parois de l'armoire.
2. Assurez-vous que le bord avant de la hotte est aligné avec l'avant de l'armoire. Centrez la hotte sur l'armoire.
3. Serrez les quatre (4) vis mécaniques des brides préalablement installées.
4. Fixez la hotte à l'armoire avec huit (8) vis de 4,2 x 15 mm à tête cylindrique. Assurez-vous que les vis ne pénètrent pas le fini des parois de l'armoire.
5. Ouvrez la visière coulissante. Placez le panneau de verre dans l'ouverture encastrée.
6. Glissez la vitre à gauche ou à droite jusqu'à ce qu'elle soit centrée dans l'ouverture et solidement retenue.



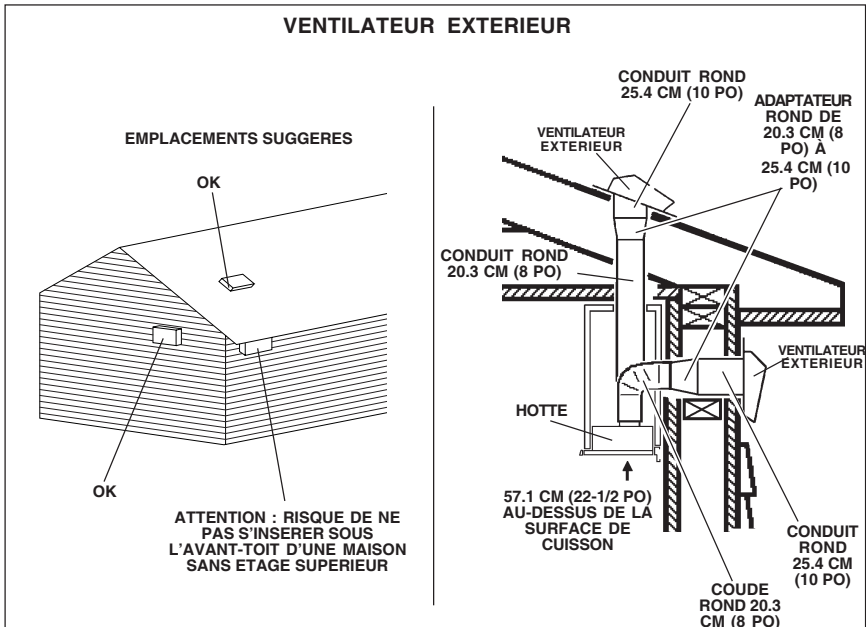
CHOIX DE VENTILATEUR EXTERNE OU “IN-LINE”

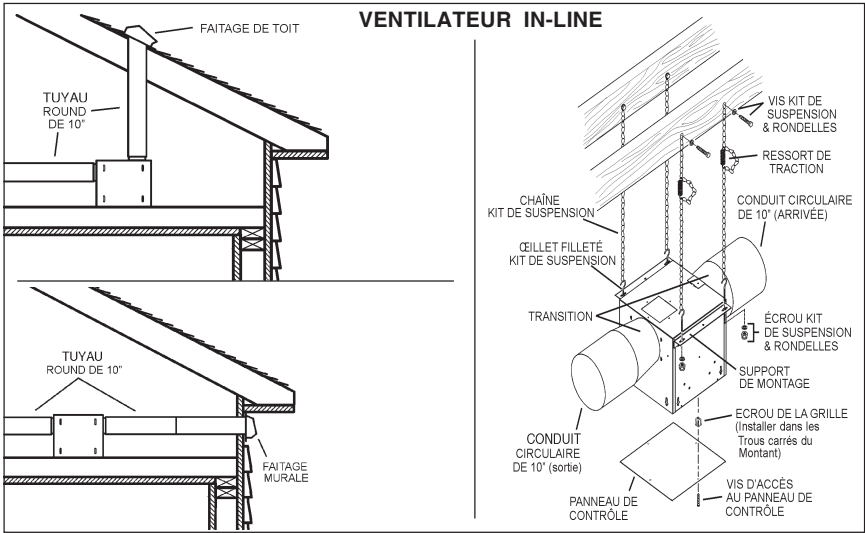
ATTENTION: avec cette hotte, on peut utiliser soit un ventilateur externe soit “In-Line”. La hotte U102E doit être installée avec un ventilateur des modèles suivants EB6, EB9, EB12, EB15, ILB3, ILB6, ILB9, ou ILB11 uniquement. On ne peut pas utiliser d'autres ventilateurs (les ventilateurs sont vendus séparément). Le ventilateur doit être compris dans la liste **UL** pour l'utilisation au Canada et aux **USA** et approuvée pour l'utilisation avec un “dispositif de contrôle de la vitesse” à l'état solide, dont les données sur la plaque sont 120V, 60 Hz, 6.0 A max.

POSE DU CONDUIT

REMARQUE : Pour réduire les risques d'incendie, utilisez seulement des conduits en métal.

1. Choisissez l'endroit où le ventilateur doit être monté à l'extérieur. Voir les illustrations ci-dessous pour les restrictions et les suggestions s'appliquant au lieu de montage.
2. Un tracé droit et court permet à la hotte d'être plus efficace.
3. Des conduits longs, des coudes et des transitions réduisent l'efficacité de la hotte. N'en utilisez que le moins possible. Pour plus d'efficacité, des conduits plus gros peuvent être nécessaires si le parcours est trop long.
4. Après avoir installé le ventilateur extérieur, connectez un conduit rond en métal en progressant vers la hotte. Scellez les joints avec du ruban entre chaque section de conduit.
5. Un raccord de transition rond (Modèle 414) de 20,3 cm (8 po) à 25,4 cm (10 po) est nécessaire. Pour plus d'efficacité, installez l'adaptateur aussi proche que possible de la hotte.





INSTALLATION ELECTRIQUE

ATTENTION : Les travaux d'électricité doivent être effectués par des personnes qualifiées en respectant les codes et les normes en vigueur. Cette hotte de cuisine doit être correctement mise à la terre.

Ne pas rétablir le courant du panneau d'électricité avant que tous les câbles aient été connectés.

Raccordement du ventilateur à la hotte :

1. Acheminez un câble électrique à deux fils (plus un fil de terre) du ventilateur extérieur (ou ventilateur "In-Line") jusqu'à la boîte de câblage de la hotte marquée " motor connection " ("connexion du moteur").
2. Enlevez le couvercle du boîtier de câblage.
3. Fixer le "conduit" au boîtier de connexion à l'aide d'un connecteur approprié pour ce "conduit".
4. Effectuez les connexions électriques de la hotte. Branchez les fils blancs ensemble, **les fils rouges aux noirs** et le fil vert avec le fil de terre.
5. Remplacez le couvercle du boîtier de câblage et les vis. Assurez-vous qu'aucun des câbles n'est coincé entre le couvercle et le boîtier.

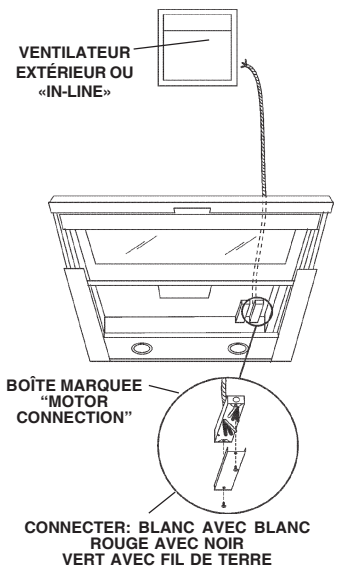
Connexion du ventilateur extérieur ou «in-Line»:

1. Effectuez les branchements électriques du ventilateur extérieur ou "In-Line" (voir les instructions fournies avec le ventilateur).

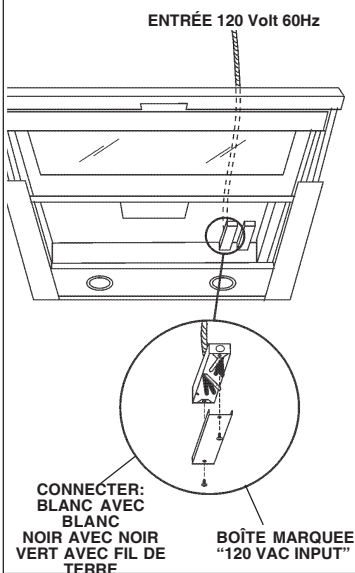
Connexion de l'alimentation de la hotte :

1. Acheminez un câble électrique de 120 VCA au boîtier de câblage de la hotte portant l'inscription " 120VAC input " (" entrée de 120 VCA ").
2. Enlevez le couvercle du boîtier de câblage.
3. Fixer le "conduit" au boîtier de connexion à l'aide d'un connecteur approprié pour ce "conduit".
4. Effectuez les connexions électriques de la hotte. Branchez les fils blancs ensemble, les fils noirs ensemble et le fil vert avec le fil de terre.
5. Remplacez le couvercle du boîtier de câblage et les vis. Assurez-vous qu'aucun des câbles n'est coincé entre le couvercle et le boîtier.

CONNEXION DU VENTILATEUR À LA HOTTE



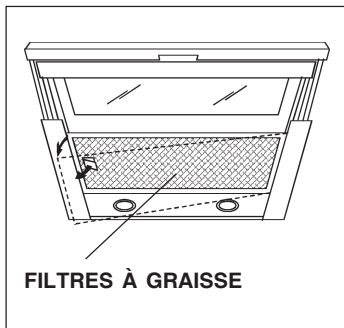
CONNEXION DE L'ALIMENTATION DE LA HOTTE



INSTALLATION DES FILTRES

Pour enlever le filtre à GRAISSE, tirez la languette vers le bas. Le filtre se dégagera de la hotte.

Pour installer le filtre à GRAISSE, alignez les pattes du côté du filtre dans les fentes de la visière de la hotte. Tirez la languette vers le bas, poussez le filtre en place et relâchez la languette. Vérifiez si le filtre est bien fixé une fois replacé.



GARANTIE

GARANTIE LIMITÉE D'UN AN BROAN-NUTONE LLC

Broan-NuTone LLC garantit à l'acheteur original que les produits vendus en vertu de la présente sont libres de tout vice de matériau ou de fabrication pour une période d'un an à compter de la date d'achat originale. CETTE GARANTIE NE COMPORTE AUCUNE AUTRE GARANTIE, EXPRESSE OU TACITE, Y COMPRIS, MAIS SANS S'Y LIMITER, LES GARANTIES TACITES DE VALEUR MARCHANDE OU D'ADAPTATION À UN USAGE PARTICULIER.

Durant cette période d'un an, Broan-NuTone LLC réparera ou remplacera gratuitement, à sa discrétion, tout produit ou toute pièce jugés défectueux dans des conditions normales d'utilisation.

CETTE GARANTIE NE S'APPLIQUE PAS AUX TUBES FLUORESCENTS ET AUX DÉMARREURS, NI AUX AMPOULES HALOGENES OU INCANDESCENTES. Cette garantie ne couvre pas (a) les frais d'entretien ou de service normaux ni (b) tout produit ou toute pièce soumis à un abus, une négligence, un accident, un entretien ou une réparation inadéquats (autres que ceux effectués par Broan-NuTone LLC), une mauvaise installation ou une installation contraire aux instructions recommandées.

La durée de toute garantie tacite est limitée à la période d'un an stipulée pour la garantie expresse. Certains territoires ou provinces interdisent les restrictions relatives à la durée d'une garantie implicite. La restriction susmentionnée peut donc ne pas s'appliquer dans votre cas.

L'OBLIGATION POUR BROAN-NUTONE LLC DE RÉPARER OU DE REMPLACER LE PRODUIT, À SA DISCRÉTION, CONSTITUE LE SEUL RECOURS DE L'ACHETEUR EN VERTU DE CETTE GARANTIE. BROAN-NUTONE LLC NE PEUT ÊTRE TENUE RESPONSABLE DE TOUT DOMMAGE INDIRECT, CONSÉCUTIF OU ACCESSOIRE DÉCOULANT DE L'UTILISATION OU DU RENDEMENT DU PRODUIT. Certains territoires ou provinces interdisent l'exclusion ou la restriction des dommages indirects ou consécutifs. La restriction susmentionnée peut donc ne pas s'appliquer dans votre cas.

La présente garantie vous confère des droits spécifiques reconnus par la loi. D'autres droits pourraient également vous être accordés selon la législation locale en vigueur.

La présente garantie remplace toutes les autres garanties précédentes.

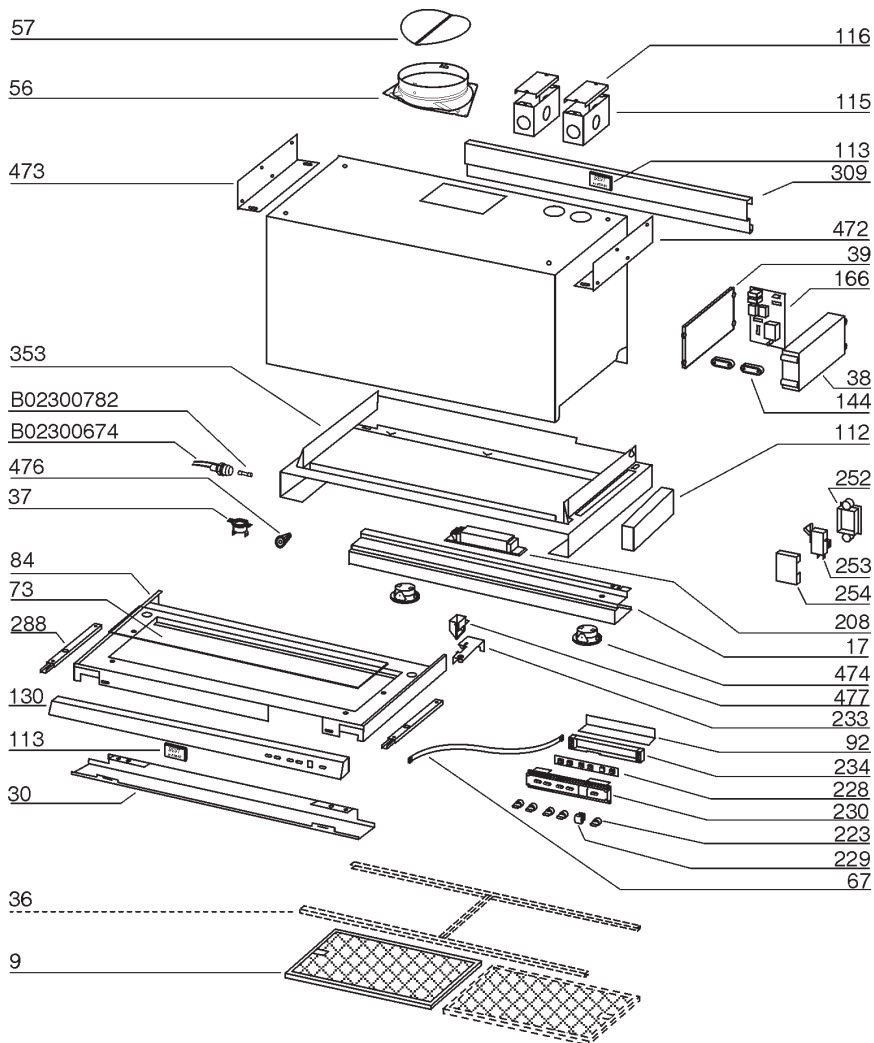
Pour le service sous garantie, vous devez (a) aviser Broan-NuTone LLC à l'adresse mentionnée ci-dessous ou au numéro de téléphone suivant : 1 800 637-1453, (b) indiquer le numéro de modèle et d'identification de la pièce et (c) décrire la défectuosité

du produit ou de la pièce. Lors de votre demande de garantie, vous devez présenter une preuve de la date d'achat originale.

BEST BY BROAN, P.O. Box 140 Hartford, Wisconsin 53027

PIECES DE RECHANGE

MODÈLE U102E



PIECES DE RECHANGE

MODÈLE U102E- Pièces indiquées pour les modèles en acier inoxydable. Pour les pièces des modèles noirs, blancs, laiton poli ou cuivre brossé, veuillez appeler le Service à la clientèle Broan.

REPÈRE	N° de PIÈCE	DESCRIPTION
9	B08087077	Filtre à graisse (modèle 91,5 cm / 36 po)
9	B08087016	Filtre à graisse (modèle 76,2 cm / 30 po)
9	B08087017	Filtre à graisse (modèle 106,7 cm / 42 po)
17	BE3347241	Support halogène (modèle 91,5 cm / 36 po)
17	BE3347372	Support halogène (modèle 76,2 cm / 30 po)
17	BE3347378	Support halogène (modèle 106,7 cm / 42 po)
30	BE3347340	Protection des commandes (modèle 91,5 cm / 36 po)
30	BE3347370	Protection des commandes (modèle 76,2 cm / 30 po)
30	BE3347259	Protection des commandes (modèle 106,7 cm / 42 po)
36	BE3403716	Cadre de filtre (modèle 91,5 cm / 36 po)
36	BE3403765	Cadre de filtre (modèle 106,7 cm / 42 po)
37	B02300804	Thermostat Heat Sentry
38	B03292357	Boîtier électrique
39	B03294033	Couvercle du boîtier électrique
73	B02005069	Visière en verre (modèle 91,5 cm / 36 po)
73	B02005070	Visière en verre (modèle 76,2 cm / 30 po)
73	B02005071	Visière en verre (modèle 106,7 cm / 42 po)
84	BE3403714	Visière d'affichage (modèle 91,5 cm / 36 po)
84	BE3403752	Visière d'affichage (modèle 76,2 cm / 30 po)
84	BE3403762	Visière d'affichage (modèle 106,7 cm / 42 po)
112	B03294746	Protection du câblage
113	B02011284	Plaque signalétique
115	BE3334250	Boîtier de câblage
116	BE3334252	Couvercle du boîtier de câblage
130	B003101208	Panneau avant (modèle 91,5 cm / 36 po)
130	B003101220	Panneau avant (modèle 76,2 cm / 30 po)
130	B003101227	Panneau avant (modèle 106,7 cm / 42 po)
144	B03292287	Attache de câble
166	B08086701	Circuit de câblage
208	B02300783	Transformateur
223	B03294171	Bouton d'interrupteur
233	B03294740	Fermeoir
252	B03292349	Boîte de mini-interrupteur
253	B02300620	Mini-interrupteur
254	B03292350	Couvercle de boîte de mini-interrupteur
288	B020111650	Glissière de visière
309	B003101216	Cale (modèle 91,5 cm / 36 po)
309	B003101222	Cale (modèle 76,2 cm / 30 po)
309	B003101228	Cale (modèle 106,7 cm / 42 po)
353	BE3403713	Support d'affichage (modèle 91,5 cm / 36 po)
353	BE3403751	Support d'affichage (modèle 76,2 cm / 30 po)
353	BE3403761	Support d'affichage (modèle 106,7 cm / 42 po)
472	BE3347252	Bride de montage droite
473	BE3347251	Bride de montage gauche
474	B02300733	Lampe halogène
476	B03292203	Panneau d'épaisseur
477	B03294785	Fermeture supérieure
998	B080810599	Accessoires de quincaillerie
ARU	B08092501	Ensemble de bride et de clapet anti-retour (56, 57)
*	B06108277	Ensemble de boîte d'interrupteur : comprend repères n° 234, 228, 223, 229, 67, 230, 92
-	B02300782	Fusible
-	B02300674	Porte-fusible

* Illustré démonté.

LEA Y CONSERVE ESTAS INSTRUCCIONES



INDICADA SOLAMENTE PARA COCINAR EN CASA



ADVERTENCIA

PARA EVITAR EL RIESGO DE INCENDIO, CORTOCIRCUITO O DAÑO PARA LAS PERSONAS, OBSERVE ATENTAMENTE LAS SIGUIENTES NORMAS:

1. Use esta unidad solamente de la manera indicada por el fabricante; si tiene dudas, póngase en contacto con éste a la dirección o teléfono indicados en la garantía.
2. Antes de hacer una revisión o de limpiar la unidad, desconéctela de la red para evitar que se encienda de manera accidental. En el caso de que éste no pueda ser desactivado, se indicará nel panel de servicio.
3. El montaje y la instalación eléctrica debe hacerlos un técnico especializado siguiendo las normas estándar e incluyendo aquellas de construcción anti incendio.
4. Necesita aire suficiente para una apropiada combustión y escape de gases a través del tubo del depósito de quema de combustible. Para evitar que el humo aspirado vuelva a la cocina, siga las directivas del fabricante y las normas estándar de seguridad así como las normas publicadas por la Asociación de prevención de incendios (NFPA) y la Sociedad americana de especialistas en calefacción, refrigeración y aire acondicionado y además las normas de las autoridades locales.
5. Hacer un corte o un taladro en la pared o en el techo no debe dañar la instalación eléctrica u otras instalaciones ocultas en la pared.
6. Los conductos ventiladores deben siempre desalojar al exterior.
7. No use esta unidad con dispositivo de control de la velocidad a estado sólido.
8. Para evitar el riesgo de incendio, use solamente conductos de metal.
9. Esta unidad tiene que ser conectada a tierra.

PARA EVITAR EL RIESGO DE FUEGO POR ALTO NIVEL DE GRASA:

- A. Nunca abandone los quemadores con el fuego alto. La cocción causa humo y restos de grasa que pueden arder. Caliente el aceite a fuego medio o bajo.
- B. Encienda siempre la campana cuando cocine a fuego alto o cuando cocine alimentos fácilmente inflamables. (por ejemplo Crepes Suzette, Cerezas Jubilee, Ternera flambeada con granos de pimienta).
- C. Limpie con frecuencia los ventiladores. No se debe acumular grasa en el ventilador o en el filtro.
- D. Usa el tamaño de cazuela apropiado. Use siempre utensilios de cocina de tamaño y material adecuados.



ADVERTENCIA

PARA EVITAR EL RIESGO DE DAÑOS A PERSONAS EN CASO DE FUEGO POR ALTO NIVEL DE GRASA, TENGA EN CUENTA LO SIGUIENTE:*

1. **SOFOQUE LA LLAMA** con una tapadera apropiada, una bandeja metálica ó un utensilio de cocina que pueda cubrirla, despues, apague el quemador. **ACTÚE CON PRECAUCIÓN PARA EVITAR QUEMADURAS.** Si la llama no se extingue inmediatamente, **SALGA Y LLAME A LOS BOMBEROS.**
2. **NUNCA COJA UNA SARTEN EN LLAMAS**, porque corre el riesgo de quemarse.
3. **NO USE AGUA** ni paños o toallas húmidas porque puede provocarse una violenta humareda.
4. Use un extintor **SOLAMENTE** si:
 - A. Posee un extintor de clase ABC y sabe perfectamente cómo usarlo.
 - B. El fuego es pequeño y está controlado en el mismo sitio en que empezó.
 - C. Ha llamado con anterioridad a los bomberos.
 - D. Puede combatir el fuego retrocediendo hacia la salida.

* Basado en "Seguridad antifuego en la cocina" publicado por NFPA.



ADVERTENCIA

1. Para reducir el riesgo de incendios y para evacuar correctamente los humos, asegúrese de haber realizado una conducción del aire hasta el exterior. No expulsar los humos en espacios cerrados por paredes o techos, áticos, espacios angostos o garajes.
2. Prestar la máxima atención al utilizar productos de limpieza o detergentes.
3. Evitar el uso de productos alimentarios que puedan inflamarse bajo la campana.
4. Sólo para ventilación total. No use gases de escape peligrosos o materiales y vapores explosivos.
5. Para evitar daños en el funcionamiento del motor e impulsores ruidosos y/o desequilibrados, mantenga alejados de la unidad de encendido pulverizadores en seco o polvo.
6. El motor tiene un nivel de sobrecarga térmica que apaga automáticamente el motor cuando se ha recalentado excesivamente. El motor se pone de nuevo en funcionamiento cuando la temperatura baja. Si el motor comienza a encenderse y a apagarse, deberá hacer una revisión de éste.
7. Para limpiar mejor las impurezas al cocinar, la distancia entre la parte inferior de la campana y la zona de cocción debe ser mínimo 22-1/2 pulg (57.1 cm).
8. Debido a su gran tamaño y peso, se recomienda su montaje por parte de 3 técnicos especializados.
9. Este producto está dotado de un termostato que pone en marcha automáticamente el motor. Para reducir el riesgo de daños y evitar que se encienda accidentalmente, colocar el interruptor del panel de servicio en la posición OFF y bloquear el panel de servicio o colocar una advertencia externa como por ejemplo un letrero o una chapita.
10. Para reducir el riesgo de incendio o de descargas eléctricas, se debe instalar la campana Best de la serie U102E únicamente con los modelos de ventiladores EB6, EB9, EB12, EB15, ILB3, ILB6, ILB9 o ILB11. No se pueden utilizar otros ventiladores. (Los ventiladores se venden por separado.)
11. Use solamente con juego de conexión para alimentación aprobado.
12. Se recomienda leer la placa de características del producto para ulterior información.
13. Aparato con automatismo. Para evitar el riesgo de daños, colocar el interruptor del panel de servicio en la posición OFF antes de mantenimiento.

OPERACIÓN

Para la operación reservada y la mejor captura del humo, el vapor y otras impurezas que cocinan, funcionan siempre esta unidad con el visor deslizante completamente abierto.

Controles

La campana se opera mediante los 5 botones pulsadores que se encuentran en el visor deslizante.

El interruptor de **apagado/encendido de la luz** enciende las luces a una intensidad baja y las apaga.

El interruptor del **reductor de intensidad de la luz** alterna la intensidad de la luz, de baja a alta.

El interruptor de **apagado/velocidad del ventilador** apaga el ventilador y cambia su velocidad a cuatro ajustes: alta, mediana-alta, mediana-baja y baja. Para apagar el ventilador, apriete el botón sin aflojarlo durante 2 segundos.

El interruptor de **encendido/velocidad del ventilador** enciende el ventilador en cuatro ajustes de velocidad: baja, mediana-baja, mediana-alta y alta. Para que el ventilador funcione, el visor debe estar abierto.

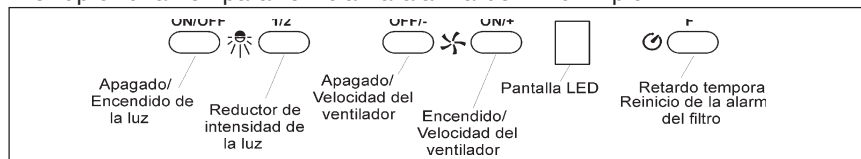
La pantalla LED:

Indica la selección de la velocidad del ventilador: desde 1 (velocidad baja) hasta 4 (velocidad alta). La velocidad del ventilador aparece intermitente en la pantalla una vez que se activa el apagado demorado de 10 minutos.

Después de 30 horas de funcionamiento, el segmento central de la pantalla destellará y permanecerá encendido; esto indica que es necesario limpiar los filtros.

El interruptor de **retardo temporal** activa la función de apagado demorado. Al apretarlo, el ventilador continuará funcionando a la velocidad presente durante 10 minutos antes de apagarse automáticamente.

El interruptor de **reinicio de alarma del filtro** sirve para reiniciar el temporizador de 30 horas del filtro. Después de limpiar o cambiar los filtros, apriete este interruptor una vez para reiniciar la alarma del filtro limpio.



HEAT SENTRY™

La campana está equipada con un termostato HEAT SENTRY™. Este termostato es un dispositivo que encenderá el ventilador o aumentará su velocidad si detecta un calor excesivo sobre la superficie de cocinado.

1. Si el ventilador está apagado: enciende el ventilador a ALTA velocidad.
2. Si el ventilador está encendido a una velocidad menor: pone el ventilador a ALTA velocidad.

Cuando la temperatura disminuye a valores normales, el ventilador regresa a su posición original.

⚠ ADVERTENCIA: El termostato HEAT SENTRY puede activar el ventilador aunque la campana esté APAGADA. Cuando esto ocurre, es imposible APAGAR el ventilador con el interruptor. Si debe apagar el ventilador, hágalo desde el panel eléctrico principal.

BOMBILLAS DE HALÓGENO

Esta campana de estufa requiere dos bombillas de halógeno (tipo T3, 12Volt, 20Watt Max, G-4 Base).

⚡ ADVERTENCIA: Siempre apague el suministro eléctrico antes de realizar cualquier operación en el electrodoméstico.

Para cambiar las bombillas:

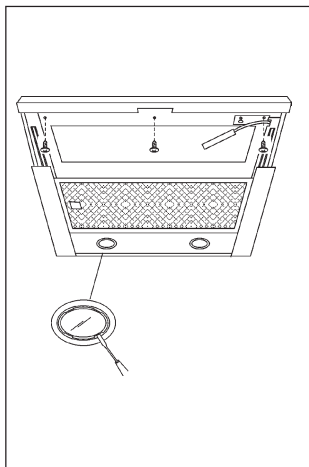
1. Haga palanca desde las ranuras apropiadas y abra la cubierta. **NO GIRE LA BOMBILLA.**

⚠ ! PRECAUCIÓN: La bombilla puede estar caliente.

2. Cámbiela por una bombilla tipo T3, 12Volt, 20Watt Max, G-4 Base.

¡No toque la bombilla de reemplazo con las manos desnudas!

No utilice los bulbos mayor de 20 vatios. Los bulbos mayor de 20 vatios harán el fusible abrirse.



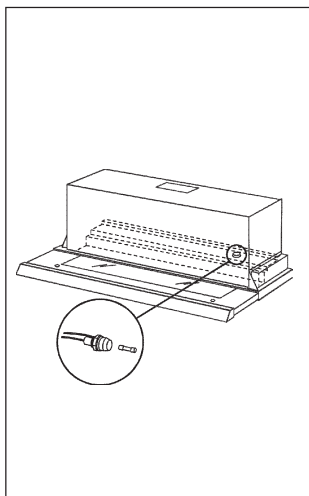
REEMPLAZO DEL FUSIBLE

SI LAS LÁMPARAS NO FUNCIONAN, DESCONECTE LA ENERGÍA EN LA ENTRADA DEL SERVICIO. REVISE EL FUSIBLE Y REEMPLÁCELO SI ES NECESARIO.

1. Quite el filtro de grasa y hale y abra el visor.
2. El portafusibles se encuentra en la parte superior derecha de la cubierta de la lámpara.
3. Desenrosque la tapa del portafusibles y saque el fusible.
4. Reemplace el fusible con otro del mismo tamaño y amperaje (5 x 20 mm, 4 A, 125 V).

No utilice los fusibles mayor de 4 amperios. Los fusibles mayor de 4 amperios pueden dañar el transformador.

5. Vuelva a colocar la tapa del portafusibles y el filtro de grasa.
6. Vuelva a conectar la energía en la entrada de servicio.



MANTENIMIENTO

El mantenimiento correcto de la campana de la estufa asegurará el funcionamiento adecuado de la unidad.

Filtros de grasa

Los **filtros de grasa** deben limpiarse cuando destelle la pantalla LED cuando el ventilador se apague (a las 30 horas de funcionamiento). Limpie los filtros con una solución tibia de detergente y agua. Los filtros se pueden lavar en lavaplatos. En la pág. 41 encontrará las instrucciones de desmontaje y montaje del filtro.

Limpieza de la campana

El acero inoxidable es uno de los materiales más fáciles para mantener limpios. Un cuidado ocasional ayudará a mantener su buen aspecto.

Consejos útiles de limpieza:

1. Normalmente todo lo que se necesita es agua caliente con detergente.
2. Enjuague bien con agua clara después de limpiar. Seque con un trapo limpio y suave para no dejar marcas de agua.
3. Si persisten las descoloraciones o los depósitos, use un limpiador casero que no deje arañazos o un polvo de pulir para acero inoxidable con un poco de agua y un trapo suave.
4. En los casos más persistentes, use una esponja desengrasadora o un cepillo de cerdas suaves junto con el limpiador y agua. Frote ligeramente en la misma dirección de las líneas de pulido o “grano” del acabado de acero inoxidable. No aplique demasiada presión porque podría desgastar la superficie.
5. **NO** deje que se acumulen depósitos durante tiempos largos.
6. **NO** use cepillos ordinarios de lana de acero o acero. Se podrían adherir pequeños trozos de acero a la superficie y hacer que se oxide.
7. **NO** permita el contacto prolongado del acero inoxidable con soluciones salinas, desinfectantes, blanqueadores o compuestos de limpieza. Muchos de estos compuestos contienen productos químicos que pueden ser dañinos.
Enjuague con agua después de la exposición a estos compuestos y seque con un trapo limpio.

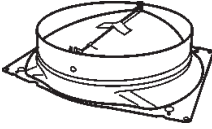
Las superficies pintadas deben limpiarse solamente con agua tibia y un detergente suave.

PREPARACIÓN DE LA CAMPANA

Desempaque la campana y revise el contenido del paquete.

Debe contener lo siguiente:

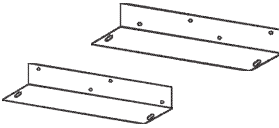
- 1 campana
- 1 conector del regulador de tiro/conducto de 8 pulg.
- 1 visor de vidrio
- 1 separador ornamental
- 1 bolsa de piezas con:
 - 2 soportes de montaje
 - 4 tornillos de máquina (M4 x 30 mm, cabeza troncocónica)
 - 7 tornillos (3.9 x 9.5 mm, cabeza troncocónica)
 - 4 arandelas planas (4 mm de diámetro)
 - 8 tornillos (4.2 x 15 mm, cabeza troncocónica)
- 1 folleto de instrucciones de instalación



CONECTOR DEL REGULADOR DE TIRO/CONDUCTO DE 8 PULG.



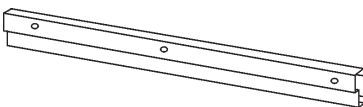
VISOR DE VIDRIO



2 SOPORTES DE MONTAJE



4 ARANDELAS PLANAS



SEPARADOR ORNAMENTAL



4 TORNILLOS DE MÁQUINA (M4 x 30 mm, CABEZA TRONCOCÓNICA)



8 TORNILLOS (4.2 x 15 mm, CABEZA TRONCOCÓNICA)

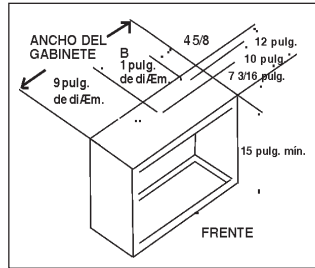
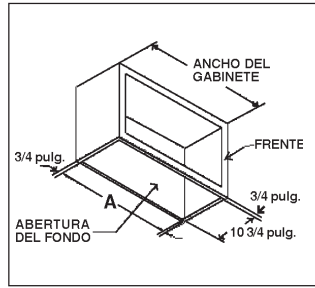


7 TORNILLOS DE MONTAJE (3.9 x 9.5 mm, CABEZA TRONCOCÓNICA)

PREPARE EL GABINETE DE LA PARED

1. Antes de la instalación del gabinete de pared, saque las puertas y los herrajes de montaje de la puerta.
2. En el panel inferior recorte una abertura de las dimensiones mostradas.
3. Recorte las aberturas para el conducto y el cableado eléctrico.
4. Instale el gabinete en la pared y asegúrelo según las recomendaciones del fabricante. Antes de instalar la campana, es necesario fijar el gabinete firmemente en los montantes y en la estructura detrás de la placa de yeso.

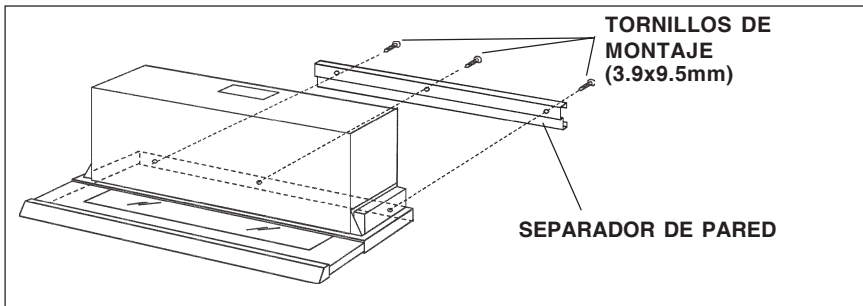
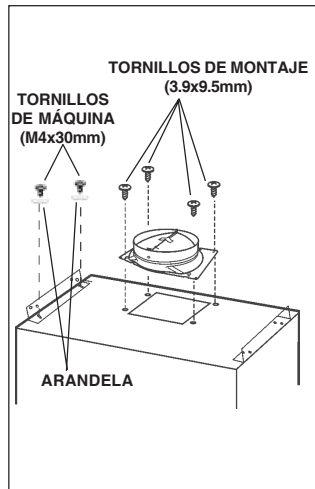
ANCHO DEL GABINETE	"A"	"B"
30 pulg.	28 1/2 pulg.	15 pulg.
36 pulg.	34 1/2 pulg.	18 pulg.
42 pulg.	40 1/2 pulg.	21 pulg.



PREPARACIÓN DE LA CAMPANA

1. Instale (sin apretar) ambos soportes de montaje en la campana mediante los tornillos de máquina M4 x 30 mm y las arandelas planas.
2. Coloque el conector del regulador de tiro/conducto de 8 pulg. por encima de la abertura de descarga de la campana. Quite la cinta de las aletas del regulador de tiro. Asegure con (4) tornillos de 3.9 x 9.5 mm.
3. Instale el separador de pared en la campana mediante los (3) tornillos de 3.9 x 9.5 mm.

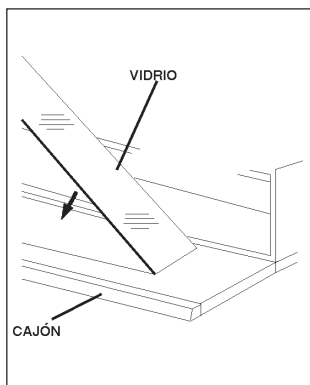
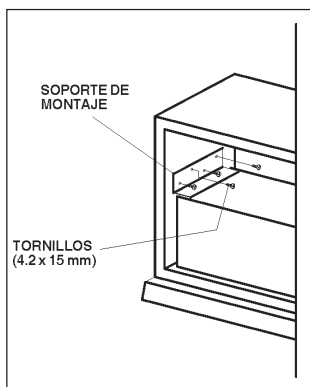
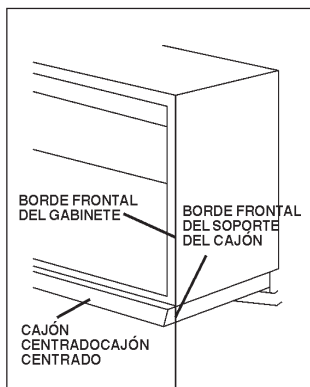
NOTA: El separador está diseñado para llenar una brecha de 5/8 de pulg. (1.5 cm) entre la pared y la parte posterior de la campana. En caso de que la brecha sea mayor, se deberá rellenarla con un material no combustible que cumpla con los códigos de construcción locales.



INSTALACIÓN DE LA CAMPANA

NOTA: Se requieren al menos tres personas para montar la campana.

1. Eleve la campana hacia el gabinete de la pared. Ajuste los soportes para que hagan contacto con las paredes internas del gabinete.
2. Asegúrese de que el borde frontal del soporte del cajón de la campana esté alineado con la parte frontal del gabinete de la pared. Centre la campana en el gabinete de la pared.
3. Apriete los (4) tornillos de máquina en los soportes de montaje instalados previamente.
4. Asegure la campana al gabinete con (8) tornillos de cabeza troncocónica de 4.2 x 15 mm. Tenga cuidado de que los tornillos no penetren las paredes laterales del gabinete terminado.
5. Abra el cajón deslizable. Coloque el panel de vidrio en el área empotrada del cajón.
6. Deslice el vidrio hacia la izquierda o hacia la derecha hasta que quede centrado en la abertura y sujeto firmemente.



SELECCIÓN DEL VENTILADOR EXTERIOR O DEL VENTILADOR IN-LINE

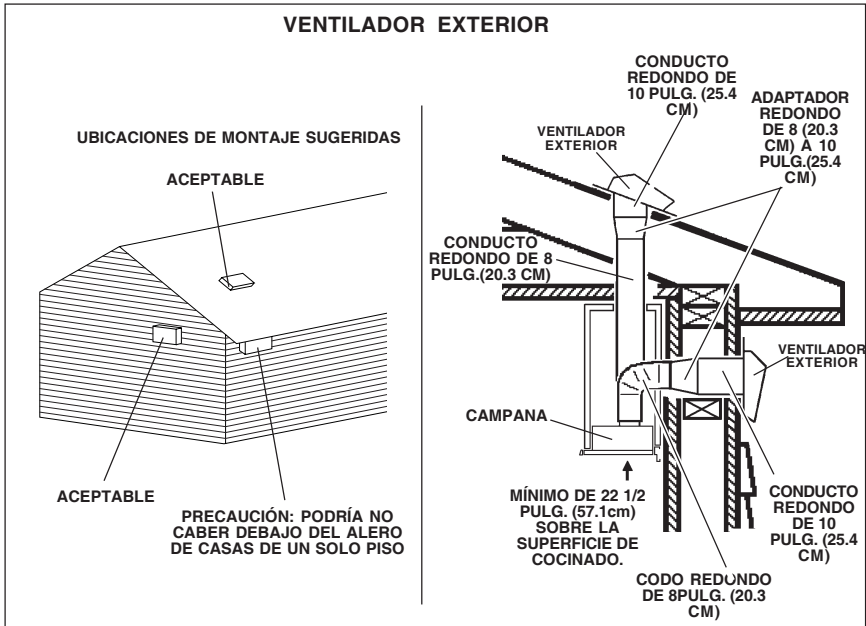
PRECAUCIÓN: con este tipo de campana se deben utilizar tanto un ventilador exterior como un ventilador in-line. La campana U102E debe instalarse utilizando ventiladores de los modelos EB6, EB9, EB12, EB15, ILB3, ILB6, ILB9 o ILB11 únicamente. No pueden reemplazarse por otro tipo de ventiladores (los ventiladores se venden por separado).

El ventilador tiene que estar incluido en la lista **UL** para el uso en Canadá y **USA** y tiene que ser evaluada la utilización con “dispositivo de control de la velocidad” en el estado sólido y los datos de su placa son 120 V, 60 Hz, 6.0 A máx.

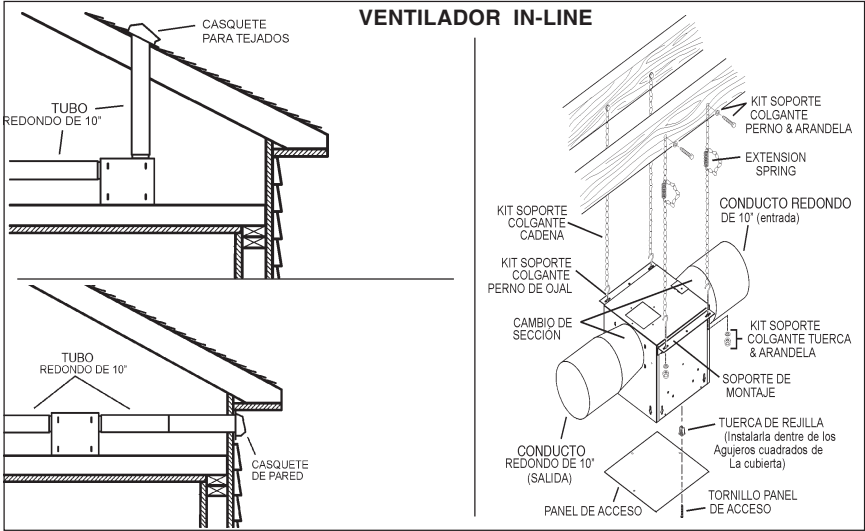
INSTALACIÓN DEL SISTEMA DE CONDUCTOS

NOTA: Para reducir el riesgo de incendio, use solamente conductos metálicos.

1. Elija la ubicación para el montaje del ventilador exterior. En las ilustraciones de abajo se muestran sugerencias y restricciones para la ubicación del montaje.
2. Un conducto recto y corto permitirá que la campana funcione más eficientemente.
3. Los tramos largos de conductos, codos y transiciones reducirán el rendimiento de la campana. Use tan pocos de ellos como sea posible. Es posible que se requieran conductos más grandes de para un mejor funcionamiento con tramos largos de conductos.
4. Una vez instalado el ventilador exterior, conecte el conducto metálico redondo y trabaje hacia atrás, hacia la ubicación de la campana. Use cinta para conductos para sellar las uniones entre las secciones de conductos.
5. Se requiere una transición redonda de 8 pulg. a 10 pulg. (modelo 414). Para lograr el mejor rendimiento del aire, instale el adaptador tan cerca de la campana como sea posible.



VENTILADOR IN-LINE



CABLEADO

PRECAUCIÓN: Una o más personas calificadas deben realizar el trabajo de cableado eléctrico, de acuerdo con todos los códigos y normas correspondientes. Esta campana debe estar adecuadamente conectada a tierra.

No encienda la energía eléctrica en el panel de servicio antes de conectar todos los cables.

Conexión del ventilador en la campana:

1. Tienda un cable eléctrico de dos hilos y conexión a tierra desde el ventilador exterior o "In-Line" hasta la caja de cableado marcada "motor connection" ("conexión del motor").
2. Quite la tapa de la caja de cableado.
3. Fije el "conduit" a la caja de conexión por medio de un conector idóneo para el "conduit".
4. Haga las conexiones eléctricas en la campana. Conecte blanco con blanco, **rojo con negro** y verde con tierra.
5. Vuelva a colocar la cubierta de la caja de conexiones y los tornillos.

Asegúrese de que los cables no queden atrapados entre la cubierta y la caja.

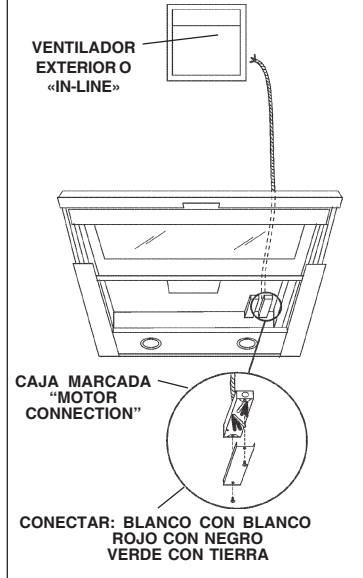
Conexión del ventilador exterior o "In-Line":

1. Haga las conexiones eléctricas en el ventilador exterior o "In-Line" (consulte las instrucciones adjuntas a éste).

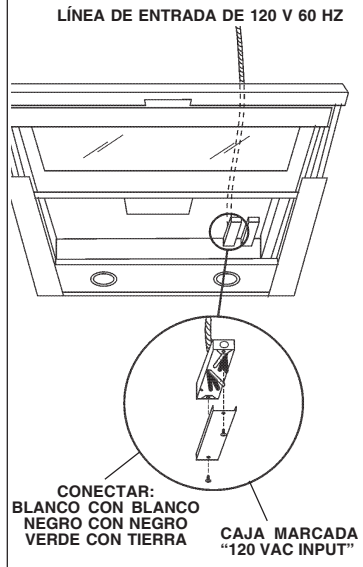
Conexión de energía eléctrica en la campana:

1. Tienda el cableado de la casa de 120 VCA a la caja de cableado de la campana marcada "120VAC input" ("entrada de 120 VCA").
2. Quite la tapa de la caja de cableado.
3. Fije el "conduit" a la caja de conexión por medio de un conector idóneo para el "conduit".
4. Haga las conexiones eléctricas en la campana. Conecte blanco con blanco, **negro con negro** y verde con tierra.
5. Vuelva a colocar la cubierta de la caja de conexiones y los tornillos. Asegúrese de que los cables no queden atrapados entre la cubierta y la caja.

CONEXIÓN DEL VENTILADOR EN LA CAMPANA



CONEXIÓN DE ENERGÍA ELÉCTRICA EN LA CAMPANA



INSTALACIÓN DE FILTROS

Para instalar el FILTRO DE GRASA, sujete la aleta de cierre y empújela hacia abajo. Esto desprenderá el filtro de la campana.

Para quitar el FILTRO DE GRASA, alinee las aletas del filtro (situadas en un lado del filtro) con las ranuras que están en el cajón de la campana. Apriete la aleta de cierre hacia abajo, empuje el filtro hacia arriba y suelte la aleta. Asegúrese de que el filtro esté seguramente instalado después de la instalación.



GARANTÍA

GARANTÍA LIMITADA DE UN AÑO DE BROAN-NUTONE LLC

Broan-NuTone LLC garantiza al consumidor comprador original de sus productos que tales productos estarán libres de defectos en materiales o mano de obra durante un período de un año a partir de la fecha de la compra original. NO EXISTEN OTRAS GARANTÍAS, EXPRESAS NI IMPLÍCITAS, INCLUIDAS (PERO SIN LIMITARSE A) GARANTÍAS IMPLÍCITAS DE COMERCIALIZACIÓN O IDONEIDAD PARA UN PROPÓSITO PARTICULAR.

Durante este período de un año, Broan-NuTone LLC, a su criterio, reparará o reemplazará, sin cargo alguno, cualquier pieza o producto que se encuentre defectuoso bajo condiciones normales de uso y servicio.

ESTA GARANTÍA NO SE EXTIENDE A ARRANCADORES Y TUBOS DE LÁMPARAS FLUORESCENTES NI A BOMBILLAS DE HALÓGENO E INCANDESCENTES. Esta garantía no cubre (a) mantenimiento y servicio normales ni (b) ningún producto o piezas que se hayan sometido a uso inadecuado, negligencia, accidente, mantenimiento o reparación inadecuada (no hecha por Broan-NuTone LLC), instalación incorrecta o instalación en contra de las instrucciones de instalación recomendadas.

La duración de cualquier garantía implícita se limita al período de un año como se especifica para la garantía explícita. Algunos estados no permiten la limitación de la duración de una garantía implícita, de manera que las limitaciones antedichas pueden no aplicar a usted.

LA OBLIGACIÓN DE BROAN-NUTONE LLC DE REPARAR O REEMPLAZAR, A OPCIÓN DE BROAN-NUTONE LLC, SERÁ EL ÚNICO Y EXCLUSIVO RECURSO DEL COMPRADOR BAJO ESTA GARANTÍA. BROAN-NUTONE LLC NO SERÁ RESPONSABLE POR DAÑOS INCIDENTALES, RESULTANTES O ESPECIALES QUE SURJAN DE O EN RELACIÓN CON EL USO O RENDIMIENTO DEL PRODUCTO.

Algunos estados no permiten la exclusión o la limitación de daños incidentales o resultantes, de manera que es posible que la limitación antedicha no aplique en su caso.

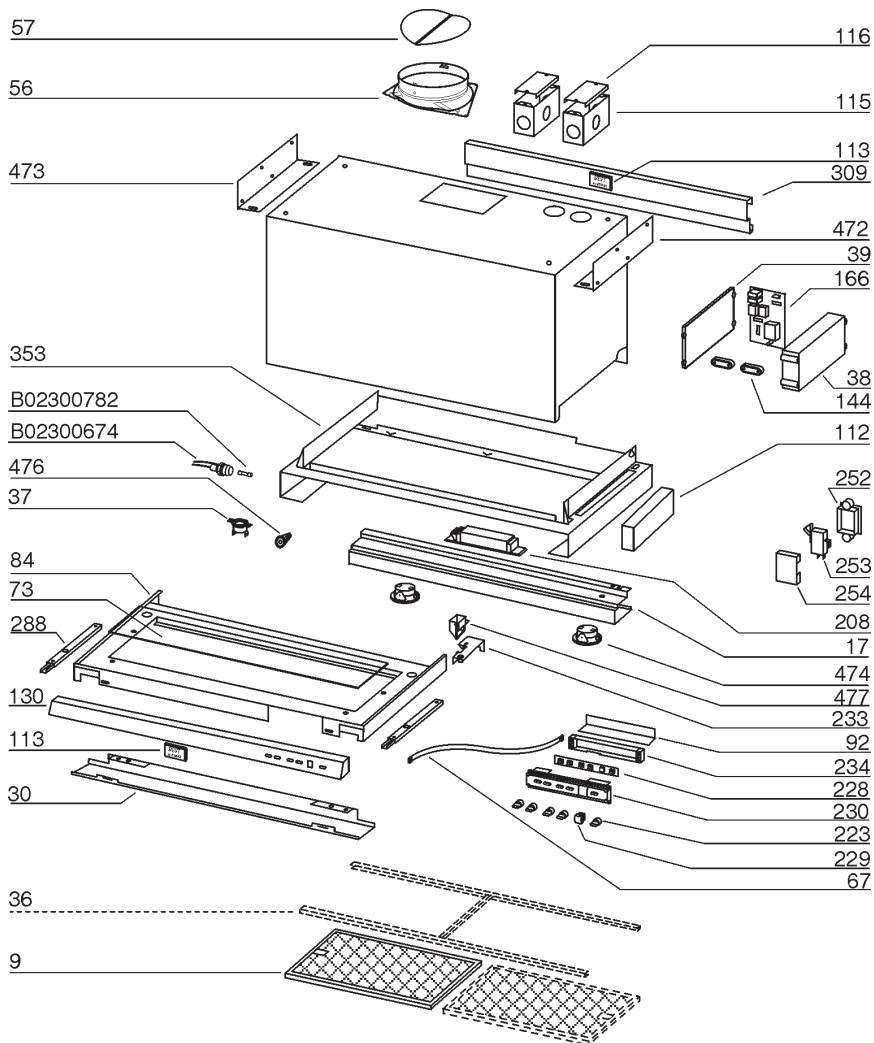
Esta garantía le da derechos legales específicos, y usted puede tener otros derechos que varían entre estados. Esta garantía sustituye a todas las garantías anteriores.

Para tener derecho al servicio cubierto por la garantía, debe (a) notificar a Broan-NuTone LLC a la dirección que se indica abajo, o al teléfono: 1-800-637-1453, (b) dar el número de modelo y la identificación de la pieza y (c) describir la naturaleza de cualquier defecto en el producto o pieza. En el momento de solicitar el servicio de la garantía, debe presentar comprobante de la fecha de la compra original.

BEST BY BROAN, P.O. Box 140 Hartford, Wisconsin 53027

PIEZAS DE REPUESTO

MODELO U102E



PIEZAS DE REPUESTO

MODELO U102E. Se muestran las piezas para los modelos de acero inoxidable. Si desea información sobre piezas de servicios para los modelos negro, blanco, de latón pulido o de cobre cepillado, llame al depto. de Servicio al cliente de Broan.

CLAVE N.º	PIEZA N.º	DESCRIPCIÓN
9	B08087077	Filtro de grasa (modelo de 36 pulg.)
9	B08087016	Filtro de grasa (modelo de 30 pulg.)
9	B08087017	Filtro de grasa (modelo de 42 pulg.)
17	BE3347241	Soporte de halógeno (modelo de 36 pulg.)
17	BE3347372	Soporte de halógeno (modelo de 30 pulg.)
17	BE3347378	Soporte de halógeno (modelo de 42 pulg.)
30	BE3347340	Protección de controles (modelo de 36 pulg.)
30	BE3347370	Protección de controles (modelo de 30 pulg.)
30	BE3347259	Protección de controles (modelo de 42 pulg.)
36	BE3403716	Bastidor del filtro (modelo de 36 pulg.)
36	BE3403765	Bastidor del filtro (modelo de 42 pulg.)
37	B02300804	Termostato Heat Sentry
38	B03292357	Caja de conexiones
39	B03294033	Cubierta de la caja de conexiones
73	B02005069	Visor de vidrio (modelo de 36 pulg.)
73	B02005070	Visor de vidrio (modelo de 30 pulg.)
73	B02005071	Visor de vidrio (modelo de 42 pulg.)
84	BE3403714	Visor de pantalla (modelo de 36 pulg.)
84	BE3403752	Visor de pantalla (modelo de 30 pulg.)
84	BE3403762	Visor de pantalla (modelo de 42 pulg.)
112	B03294746	Protección del cableado
113	B02011284	Etiqueta
115	BE3334250	Caja de conexiones
116	BE3334252	Cubierta de la caja de conexiones
130	B003101208	Panel frontal (modelo de 36 pulg.)
130	B003101220	Panel frontal (modelo de 30 pulg.)
130	B003101227	Panel frontal (modelo de 42 pulg.)
144	B03292287	Abrazadera de cables
166	B08086701	Tablero de conexiones
208	B02300783	Transformador
223	B03294171	Pulsador del interruptor
233	B03294740	Cierre
252	B03292349	Caja del microconmutador
253	B02300620	Microconmutador
254	B03292350	Cubierta de la caja del microconmutador
288	B020111650	Deslizador del cajón
309	B003101216	Separador (modelo de 36 pulg.)
309	B003101222	Separador (modelo de 30 pulg.)
309	B003101228	Separador (modelo de 42 pulg.)
353	BE3403713	Soporte de pantalla (modelo de 36 pulg.)
353	BE3403751	Soporte de pantalla (modelo de 30 pulg.)
353	BE3403761	Soporte de pantalla (modelo de 42 pulg.)
472	BE3347252	Soporte derecho
473	BE3347251	Soporte izquierdo
474	B02300733	Lámpara de halógeno
476	B03292203	Panel separador
477	B03294785	Cierre superior
998	B080810599	Paquete de herraje
ARU	B08092501	Conjunto de aleta de no retorno y brida (56, 57)
*	B06108277	Conjunto de la caja de interruptor: incluye las piezas de clave n.º 234, 228, 223, 229, 67, 230, 92
-	B02300782	Fusible
-	B02300674	Portafusibles

* No se muestra montado.

