

DAYTON

SPECIFICATIONS

Dayton® A.D.A. Compliant Sink Model GE23322

GENERAL

Sink is formed of #22 (.8mm) gauge, 300 series, nickel-bearing stainless steel. Top mount.

DESIGN FEATURES

Bowl Depth: 5-3/8" (137mm)

Rim Height: 1/8" (3mm)

Coved Corners: 3" (76mm) vertical and 2-1/4" (57mm) horizontal radius.

Finish: Exposed surfaces are polished to a satin finish.

Underside: Undercoated on bottom of bowls.

OTHER

Drain Opening: 3-1/2" (89mm).

Sink complies with ASME A112.19.3/ CSA B45.4

 Sinks are listed by IAPMO® as meeting the applicable requirements of the Uniform Plumbing Code®, International Plumbing Code®, and National Plumbing Code of Canada.

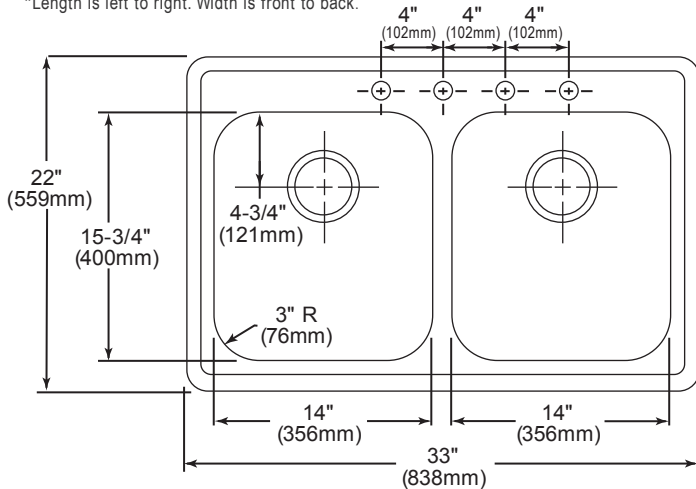


These sinks are designed for ADA compliance.

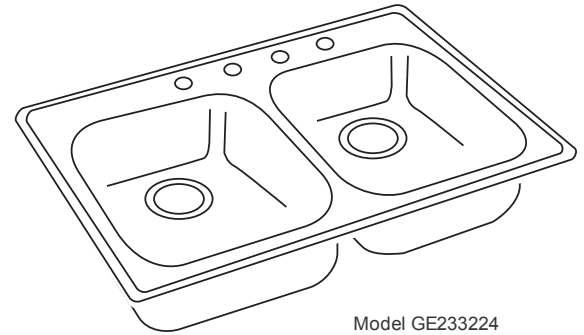
SINK DIMENSIONS*

Model Number	Overall		Inside Each Bowl			Cutout in Countertop (1 1/2" [38mm] Radius Corners)		No. of 1 1/2" (38mm) Dia. Faucet Holes	Minimum Cabinet Size
	L	W	L	W	D	L	W		
GE23322	33 (838mm)	22 (559mm)	14 (356mm)	15 3/4 (400mm)	5 3/8 (137mm)	32 3/8 (821mm)	21 3/8 (543mm)	1,2,MR2, 3,4,5	36 (914mm)

*Length is left to right. Width is front to back.

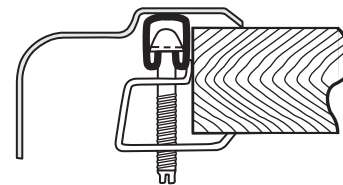


Model GE233224 Illustrated



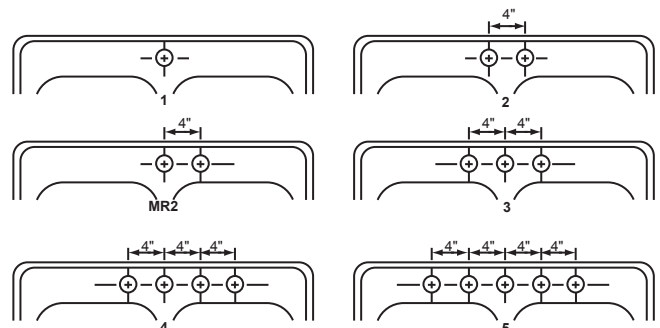
Model GE233224

U-Channel Type Mounting System



Hole Drilling Configurations

1-1/2" (38mm) Diameter Faucet Holes 4" (102mm) Center



THIS PRODUCT, AS CONSTRUCTED IS SUBJECT TO INTERPRETATION OF A.D.A. REQUIREMENTS.
THE UNOBSTRUCTED KNEE SPACE REQUIRED TO SATISFY A.D.A. STANDARDS MAY NOT BE DESIRABLE.

In keeping with our policy of continuing product improvement, Elkay reserves the right to change product specifications without notice. Please visit elkayusa.com for most current version of Elkay product specification sheets.

This specification describes an Elkay product with design, quality, and functional benefits to the user. When making a comparison of others producers offerings, be certain these features are not overlooked.