

DAYTON[®] SPECIFICATIONS

Dayton[®] Undermount Single Bowl Sink Model DXUH1210

GENERAL

Sink is formed of #18 gauge, type 301 nickel bearing stainless steel.

DESIGN FEATURES

Bowl Depth: 6-1/2".

Finish: Exposed surfaces are polished to a Radiant Satin finish.

Underside: Sound dampening pad with spray undercoating to dampen sound and reduce condensation.

OTHER

Drain Opening: 3-1/2".

NOTE: All Dayton undermount sinks are designed to affix easily to the underside of any solid surface countertop.

This sink complies with ASME A112.19.3-2008 / CSA B45.4-08



This sink is listed by the International Association of Plumbing and Mechanical Officials as meeting the requirements of the Uniform Plumbing Code.

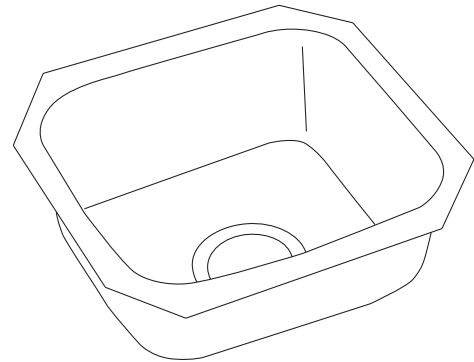
OPTIONAL ACCESSORIES

Cutting Board: CB912 (Sink must be installed with a 1/2" reveal for cutting board to fit properly).

Drain: LK35, D1125

Mounting Clip: LKUCLIP8

Template: 64180275

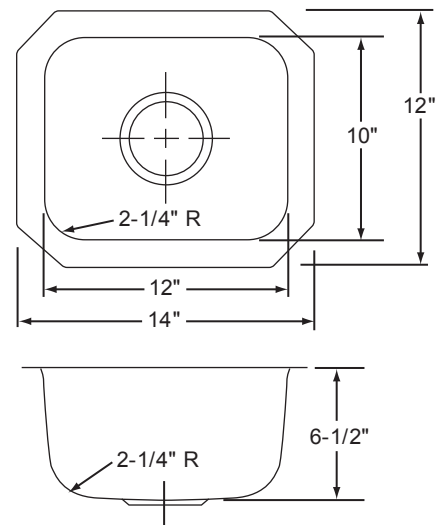


Model DXUH1210

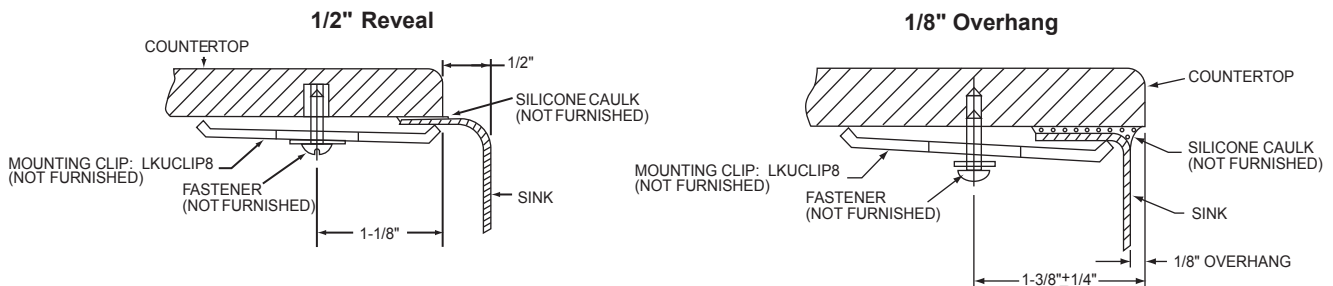
SINK DIMENSIONS (INCHES)*

Model Number	Overall		Inside Bowl			Minimum Cabinet Size
	L	W	L	W	D	
DXUH1210	14	12	12	10	6 1/2	18

*Length is left to right. Width is front to back.



Electronic Dual Template Mounting Option (Download DXF File from www.elkayusa.com)



ALL DIMENSIONS IN INCHES, TO CONVERT TO MILLIMETERS MULTIPLY BY 25.4.

In keeping with our policy of continuing product improvement, Elkay reserves the right to change product specifications without notice. Please visit elkayusa.com for most current version of Elkay product specification sheets.

This specification describes an Elkay product with design, quality and functional benefits to the user. When making a comparison of other producers' offerings, be certain these features are not overlooked.

Elkay

elkayusa.com

2222 Camden Court
Oak Brook, IL 60523

Printed in U.S.A.
©2010 Elkay

(Rev. 04/10) 2-61C