

DAYTON SPECIFICATIONS

Dayton® DG and DDG Series Sink Models DDG12522, DDG23322, DG12522 and DG23322

GENERAL

Sink is formed of #20 gauge, 300 series nickel-bearing stainless steel.
Top mount.

DESIGN FEATURES

Bowl Depth: 6-9/16"(167mm) (DGSeries), 7-1/16"(179mm) (DDGSeries).

Coved Corners: 4"(102mm) vertical and 3-1/4"(83mm) horizontal radius.

Faucet Deck: Raised

Rim Height: 3/16"(5mm)

Finish: Exposed surfaces are polished to a satin finish.

Underside: Fully undercoated to reduce condensation and dampen sound.

OTHER

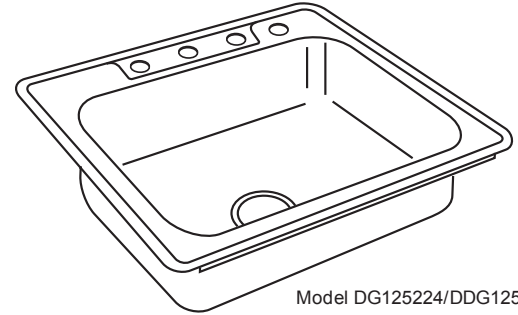
Drain Opening: 3-1/2"(89mm)

Installation Hardware: Included for 3/4" (19mm) countertop.

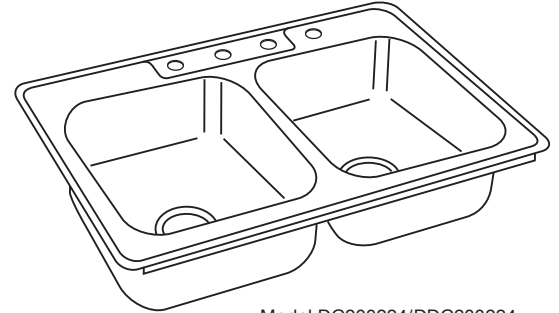
Sink complies with ASME A112.19.3-2008 / CSA B45.4-08.



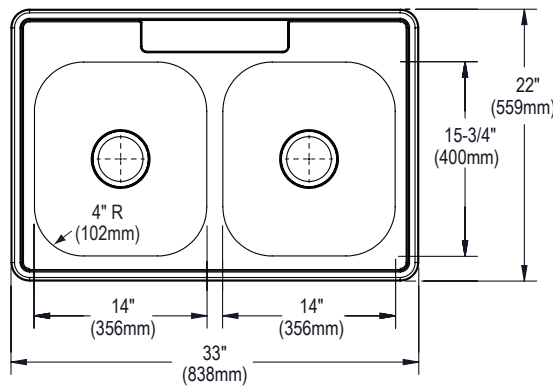
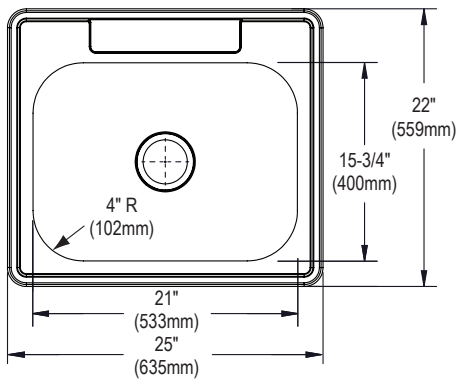
These sinks are listed by the International Association of Plumbing and Mechanical Officials as meeting the requirements of the Uniform Plumbing Code and the National Plumbing Code of Canada.



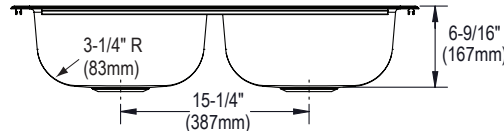
Model DG125224/DDG125224



Model DG233224/DDG233224



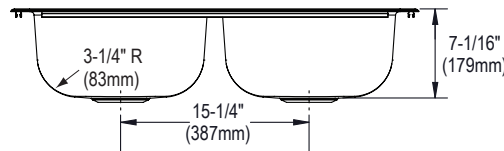
Model DG12522 Illustrated



Model DG23322 Illustrated



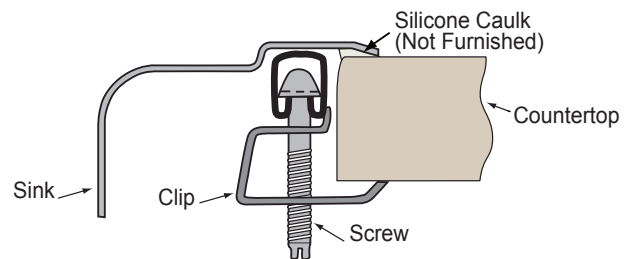
Model DDG12522 Illustrated



Model DDG23322 Illustrated



Installation Profile



In keeping with our policy of continuing product improvement, Elkay reserves the right to change product specifications without notice.

This specification describes an Elkay product with design, quality and functional benefits to the user. When making a comparison of other producers' offerings, be certain these features are not overlooked.

Elkay

elkayusa.com

2222 Camden Court
Oak Brook, IL 60523

Printed in U.S.A.
©2011 Elkay

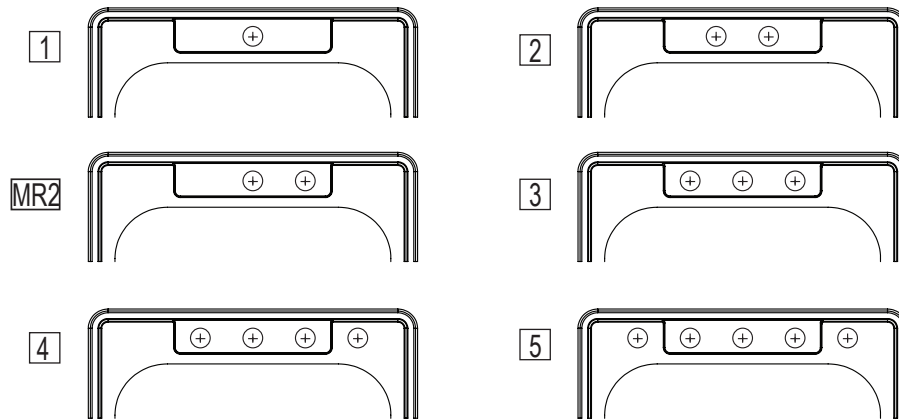
(Rev. 4/11) 2-35D

SINK DIMENSIONS*

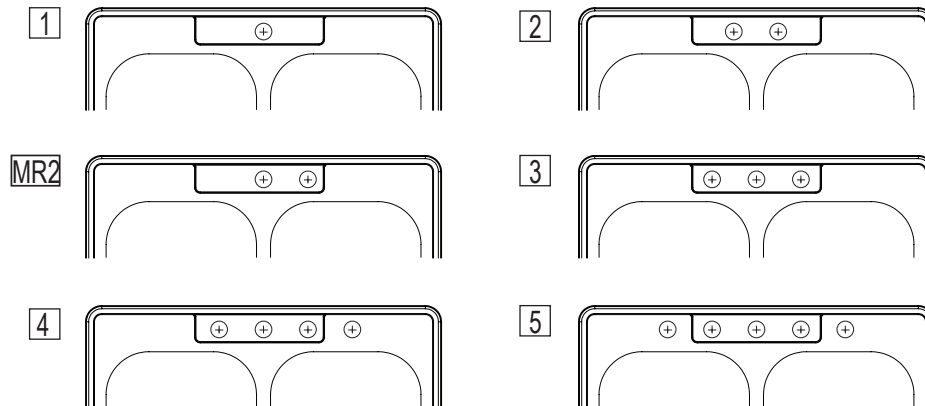
Model Number	Overall		Inside Each Bowl			Cutout in Countertop (1-1/2" (38mm) Radius Corners)		No. of 1-1/2" (38mm) Dia. Faucet Holes	Minimum Cabinet Size
	L	W	L	W	D	L	W		
DDG12522	25 (635mm)	22 (559mm)	21 (533mm)	15-3/4 (400mm)	7-1/16 (179mm)	24-3/8 (619mm)	21-3/8 (543mm)	1, 2, MR2 3, 4 or 5	30 (762mm)
DDG23322	33 (838mm)	22 (559mm)	14 (356mm)	15-3/4 (400mm)	7-1/16 (179mm)	32-3/8 (822mm)	21-3/8 (543mm)	1, 2, MR2 3, 4 or 5	36 (914mm)
DG12522	25 (635mm)	22 (559mm)	21 (533mm)	15-3/4 (400mm)	6-9/16 (167mm)	24-3/8 (619mm)	21-3/8 (543mm)	1, 2, MR2 3, 4 or 5	30 (762mm)
DG23322	33 (838mm)	22 (559mm)	14 (356mm)	15-3/4 (400mm)	6-9/16 (167mm)	32-3/8 (822mm)	21-3/8 (543mm)	1, 2, MR2 3, 4 or 5	36 (914mm)

*Length is left to right. Width is front to back.

Hole Drilling Configurations - DDG12522 / DG12522 1-1/2" (38mm) Diameter Faucet Holes on 4" (102mm) Centers



Hole Drilling Configurations - DDG23322 / DG23322 1-1/2" (38mm) Diameter Faucet Holes on 4" (102mm) Centers



In keeping with our policy of continuing product improvement, Elkay reserves the right to change product specifications without notice.

This specification describes an Elkay product with design, quality and functional benefits to the user. When making a comparison of other producers' offerings, be certain these features are not overlooked.