

ELKAY® SPECIFICATIONS

Gourmet Single Bowl Sink Models LR2522, LRQ2522 LRAD2522, LRADQ2522 - A.D.A. Compliant

GENERAL

Highest quality sink formed of #18 (1.2mm) gauge, type 304 (18-8) nickel bearing stainless steel. Top mount.

DESIGN FEATURES

LR(Q)2522 Bowl Depth: 8-1/8" (203mm).

LRAD(Q)2522 Bowl Depth: 4" (102mm), 4-1/2" (114mm), 5" (127mm), 5-1/2" (140mm), 6" (152mm) or 6-1/2" (165mm).

Coved Corners: 1-3/4" (44mm) vertical and horizontal radius.

Raised Rim: 3/8" (10mm) drop ledge with a raised faucet deck.

Finish: Exposed surfaces are hand polished to a Lustrous Highlighted Satin finish.

Underside: LR(Q)2522 is fully protected by heavy duty Sound Guard® undercoating to dampen sound and reduce condensation. LRAD(Q)2522 is fully undercoated to dampen sound and reduce condensation.

OTHER

LR(Q)2522 Drain Opening: 3-1/2" (89mm) and centered in bowl as illustrated.

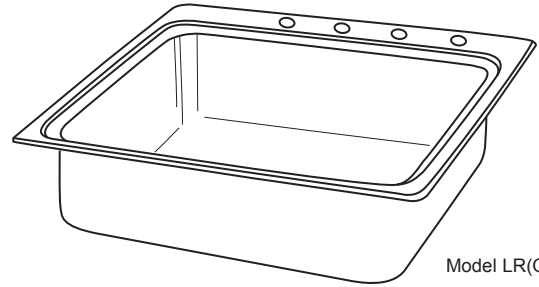
LRAD(Q)2522 Drain Opening: 3-1/2" (89mm) and located centered left-to-right and off-center front-to-back as illustrated.

NOTE: Unless otherwise specified sink is furnished with 4 faucet holes as shown.

Sink complies with ASME A112.19.3-2008 / CSA B45.4-08



These sinks are listed by the International Association of Plumbing and Mechanical Officials as meeting the requirements of the Uniform Plumbing Code.



Model LR(Q)25224



OPTIONAL ACCESSORIES

Bottom Grids: LKWBG2115SS (LR(Q)2522), LKWOBG2115SS (LRAD(Q)2522)

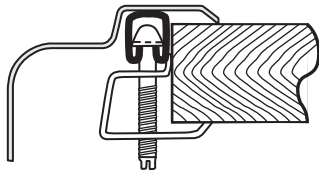
Cutting Boards: CB1516

Drain: LK99

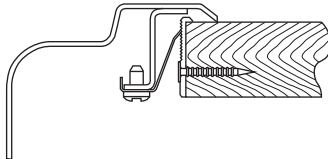
Rinsing Baskets: LKWRB2115SS, LKWERBSS

Utensil Caddy for Rinsing Basket: LKWUCSS

U-Channel Type Mounting System

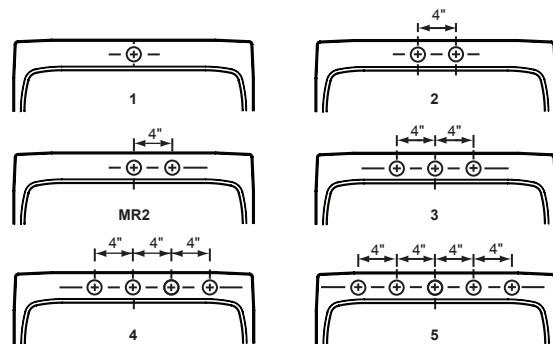


Quick-Clip® Mounting System



Hole Drilling Configurations

1-1/2" (38mm) Diameter Faucet Holes 4" (102mm) Center



SEE NEXT PAGE FOR PRODUCT DIMENSIONS.

THIS PRODUCT, AS CONSTRUCTED IS SUBJECT TO INTERPRETATION OF A.D.A. REQUIREMENTS. THE UNOBSTRUCTED KNEE SPACE REQUIRED TO SATISFY A.D.A. STANDARDS MAY NOT BE DESIRABLE.

In keeping with our policy of continuing product improvement, Elkay reserves the right to change product specifications without notice. Please visit elkayusa.com for most current version of Elkay product specification sheets.

This specification describes an Elkay product with design, quality and functional benefits to the user. When making a comparison of other producers' offerings, be certain these features are not overlooked.

Elkay

elkayusa.com

2222 Camden Court
Oak Brook, IL 60523

Printed in U.S.A.
©2010 Elkay

(Rev. 05/10) 1-61J

Gourmet Single Bowl Sink
Models LR2522, LRQ2522
LRAD2522, LRADQ2522 - A.D.A. Compliant

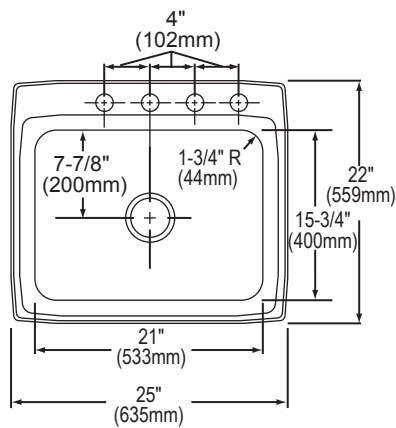
ELKAY®
SPECIFICATIONS

SINK DIMENSIONS*

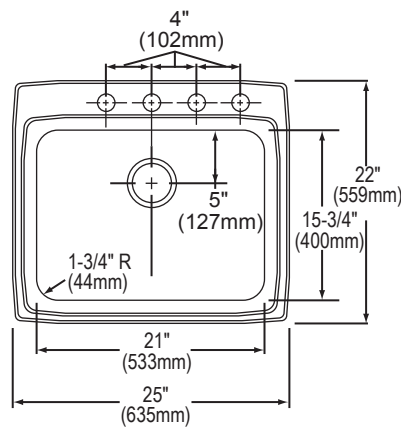
U-Channel Model Number	Quick-Clip® Model Number	Overall		Inside Bowl			Cutout in Countertop (1-1/2"(38mm) Radius Corners)		No. of 1 1/2" (38mm) Dia. Faucet Holes 4" (102mm) Center	3 1/2" (89mm) Drain" Opening (see below for details)	Minimum Cabinet Size
		L	W	L	W	D					
LR2522	LRQ2522	25 (635mm)	22 (559mm)	21 (533mm)	15 3/4 (400mm)	8 1/8 (206mm)	24 3/8 (619mm)	21 3/8 (543mm)	1, 2, MR2, 3, 4 or 5	Centered	30 (762mm)
LRAD2522	LRADQ2522	25 (635mm)	22 (559mm)	21 (533mm)	15 3/4 (400mm)	**	24 3/8 (619mm)	21 3/8 (543mm)	1, 2, MR2, 3, 4 or 5	Off-Centered	30 (762mm)

*Length is left to right. Width is front to back .

**Available in 4"(102mm), 4-1/2"(114mm), 5"(127mm), 5-1/2" (140mm), 6" (152mm) and 6-1/2" (165mm) depths.



Model LR(Q)25224 Illustrated



Model LRAD(Q)25224 Illustrated

4(102mm), 4-1/2(114mm)
 5(127mm), 5-1/2(140mm)
 6(152mm), 6-1/2(165mm)