

# ELKAY<sup>®</sup>

## SPECIFICATIONS

### Gourmet Single Bowl Sink with Slim Rim Models PSSR2722 and DPSSR272210

#### GENERAL

Highest quality sink formed of #20 (0.89mm) gauge, type 304 (18-8) nickel bearing stainless steel. Universal mount.

#### DESIGN FEATURES

**Slim Rim:** Ultra thin edge that virtually eliminates the barrier between the sink and countertop, allowing for a universal (top or undermount) installation option.

**Bowl Depths:** See chart on next page.

**Coved Corners:** 1-3/4" (44mm) horizontal and vertical radii.

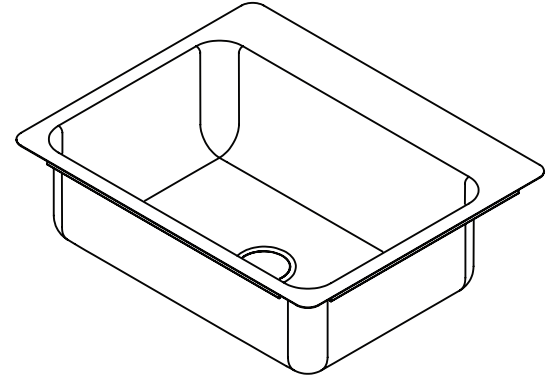
**Finish:** Exposed surfaces are hand polished to a Bright Satin finish.

**Underside:** Fully protected by Sound Guard<sup>®</sup> undercoating to reduce condensation and dampen sound.

#### OTHER

Drain opening: 3-1/2" (89mm)

Sink complies with ASME A112.19.3-2008 / CSA B45.4-08.



Model PSSR2722

#### OPTIONAL ACCESSORIES

Bottom Grid: LKWBG2416SS

Cutting Board: CB1713, CBS1316

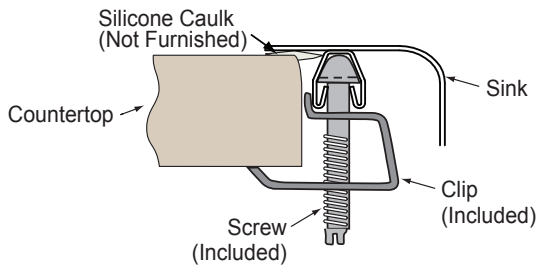
Mounting Hardware: LK364

Rinsing Basket: LKW RB2416SS, LKW ERBSS

Utensil Caddy for Rinsing Basket: LKWUCSS

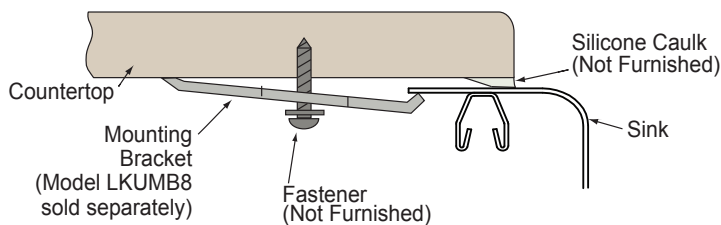


#### Top Mount Installation



For countertops thicker than 3/4" up to 1-1/2", Elkay recommend using LK364.

#### Undermount Installation



Designed to affix to the underside of any solid surface countertop.

In keeping with our policy of continuing product improvement, Elkay reserves the right to change product specifications without notice. Please visit [elkayusa.com](http://elkayusa.com) for most current version of Elkay product specification sheets.

This specification describes an Elkay product with design, quality and functional benefits to the user. When making a comparison of other producers' offerings, be certain these features are not overlooked.

# ELKAY<sup>®</sup>

## SPECIFICATIONS

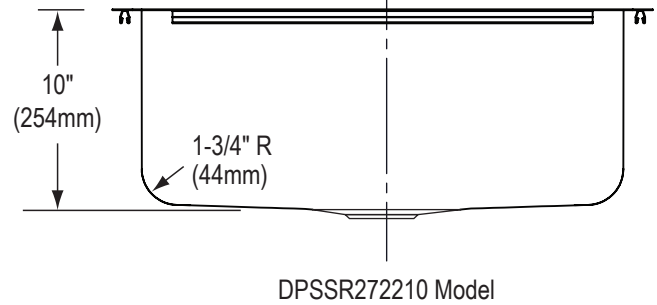
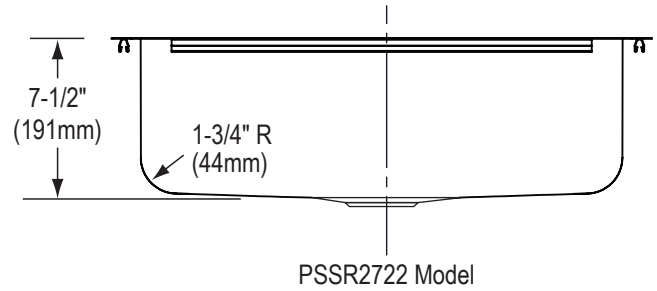
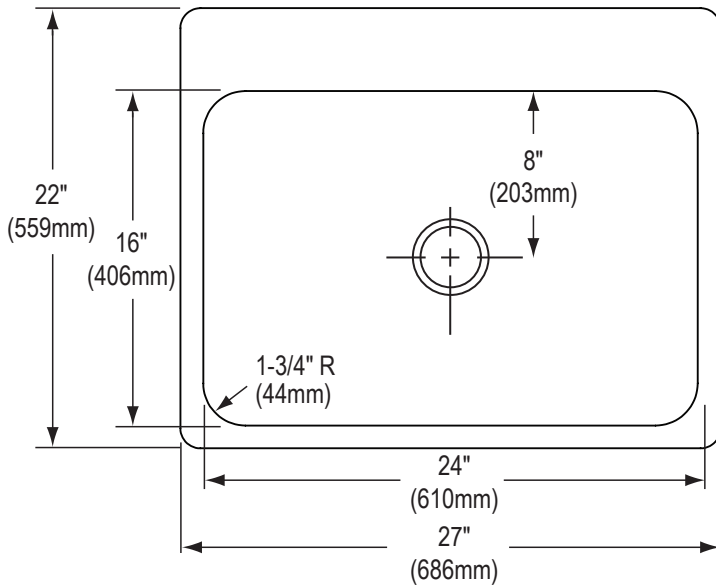
### Gourmet Single Bowl Sink with Slim Rim Models PSSR2722 and DPSSR272210

#### SINK DIMENSIONS\*

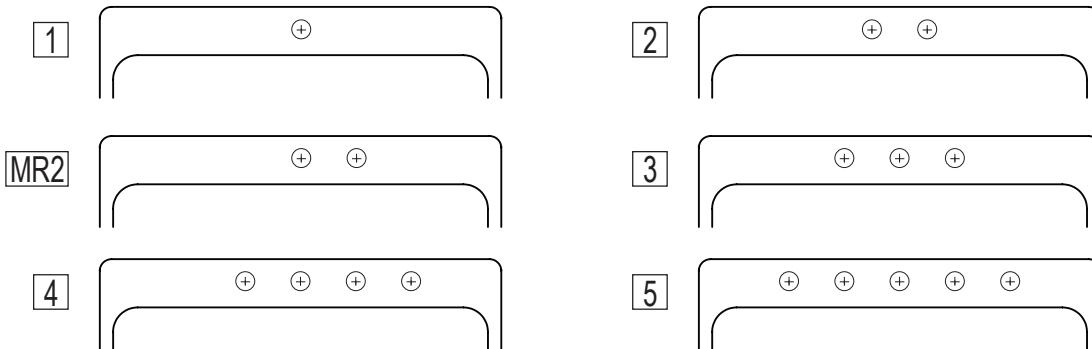
| Model Number | Overall       |               | Inside Bowl   |               |                  | Cutout in Countertop<br>(1 1/2" [38mm]<br>Radius Corners) |                   | No. of 1 1/2"<br>(38mm) Dia.<br>Faucet Holes<br>4" (102mm)<br>Center | Minimum<br>Cabinet<br>Size |
|--------------|---------------|---------------|---------------|---------------|------------------|---|-------------------|--|----------------------------|
|              | L             | W             | L             | W             | D                | L   | W                 |  |                            |
| PSSR2722     | 27<br>(686mm) | 22<br>(559mm) | 24<br>(610mm) | 16<br>(406mm) | 7-1/2<br>(191mm) | 26-3/8<br>(670mm)   | 21-3/8<br>(543mm) | 1, 2, MR2, 3<br>4, or 5  | 30<br>(762mm)              |
| DPSSR272210  | 27<br>(686mm) | 22<br>(559mm) | 24<br>(610mm) | 16<br>(406mm) | 10<br>(254mm)    | 26-3/8<br>(670mm)   | 21-3/8<br>(543mm) | 1, 2, MR2, 3<br>4, or 5  | 30<br>(762mm)              |

\*Length is left to right. Width is front to back.

\*\*Template #0000000907 available on website or by ordering via customer care.



#### Hole Drilling Configurations 1-1/2" (38mm) Diameter Faucet Holes



In keeping with our policy of continuing product improvement, Elkay reserves the right to change product specifications without notice. Please visit [elkayusa.com](http://elkayusa.com) for most current version of Elkay product specification sheets.

This specification describes an Elkay product with design, quality and functional benefits to the user. When making a comparison of other producers' offerings, be certain these features are not overlooked.