

# ELKAY<sup>®</sup>

## SPECIFICATIONS

### Gourmet Undermount Sink

#### Model ELU2416(10) and ELUH2416(10) Series

#### GENERAL

Highest quality sink formed of #18 (1.2mm) gauge, type 304 (18-8) nickel bearing stainless steel. Undermount.

#### DESIGN FEATURES

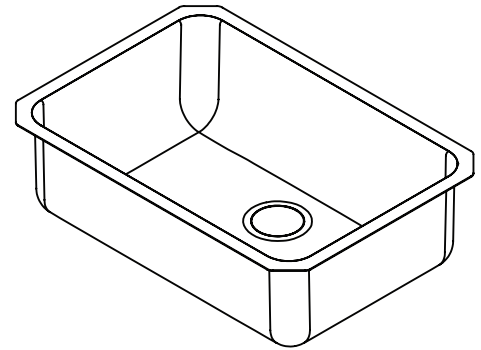
Bowl Depth: See chart on next page.

Coved Corners: 1-3/4" (44mm) horizontal and vertical radii.

Finish ELU2416(10): Exposed surfaces are hand blended to a Lustrous Satin finish.

Finish ELUH2416(10): Exposed surfaces are hand blended to a Lustrous Highlighted Satin finish.

Underside: Fully protected by Sound Guard<sup>®</sup> undercoating to reduce condensation and dampen sound.



Model ELUH2416

#### OTHER

Drain opening: 3-1/2" (89mm)

NOTE: All Elkay undermount sinks are designed to affix to the underside of any solid surface countertop.

Sink complies with ASME A112.19.3-2008 / CSA B45.4-08.

#### OPTIONAL ACCESSORIES

Bottom Grid: LKWBG2416SS

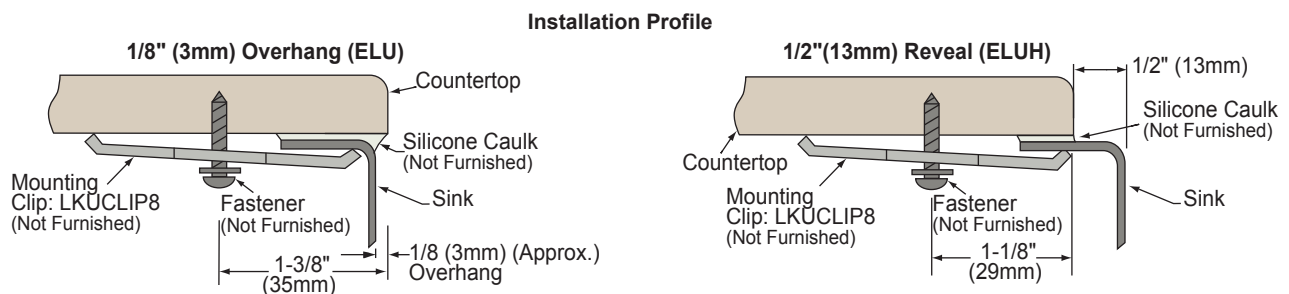
Cutting Boards: CB1713, CBS1316

Drain: LK99

Mounting Clip: LKUCLIP8

Rinsing Basket: LKWRB2416SS, LKWERBSS

Utensil Caddy for Rinsing Basket: LKWUCSS



Designed to affix to the underside of any solid surface countertop.

SEE NEXT PAGE FOR PRODUCT DIMENSIONS.

In keeping with our policy of continuing product improvement, Elkay reserves the right to change product specifications without notice. Please visit [elkayusa.com](http://elkayusa.com) for most current version of Elkay product specification sheets.

This specification describes an Elkay product with design, quality and functional benefits to the user. When making a comparison of other producers' offerings, be certain these features are not overlooked.

# ELKAY<sup>®</sup>

## SPECIFICATIONS

### Gourmet Undermount Sink

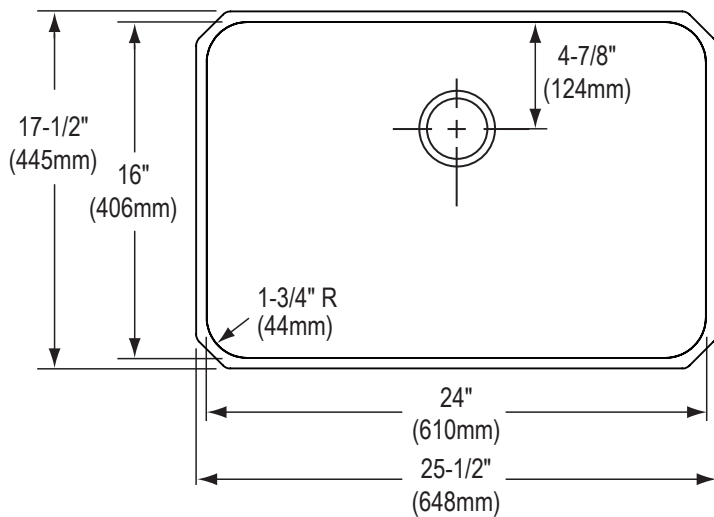
#### Model ELU2416(10) and ELUH2416(10) Series

#### SINK DIMENSIONS\*

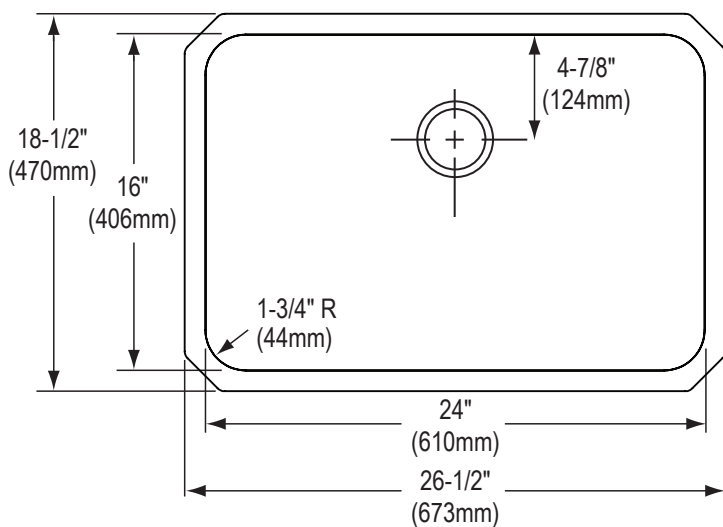
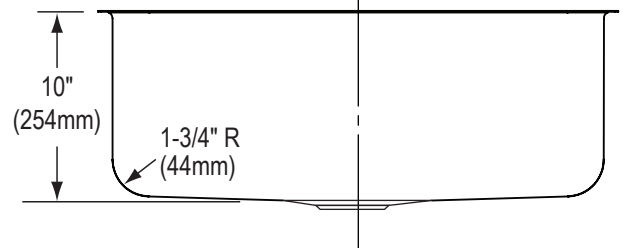
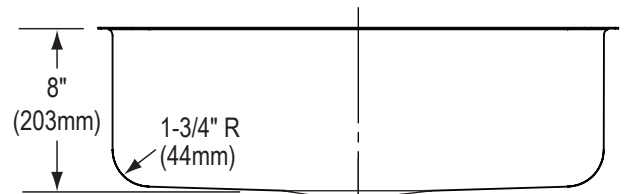
Model Number	Overall		Inside Each Bowl			Cutout in Countertop	Minimum Cabinet Size
	L	W	L	W	D		
ELU2416	25-1/2 (648mm)	17-1/2 (445mm)	24 (610mm)	16 (406mm)	8 (203mm)	See Template**	30 (762mm)
ELU241610	25-1/2 (648mm)	17-1/2 (445mm)	24 (610mm)	16 (406mm)	10 (254mm)		30 (762mm)
ELUH2416	26-1/2 (673mm)	18-1/2 (470mm)	24 (610mm)	16 (406mm)	8 (203mm)		30 (762mm)
ELUH241610	26-1/2 (673mm)	18-1/2 (470mm)	24 (610mm)	16 (406mm)	10 (254mm)		30 (762mm)

\*Length is left to right. Width is front to back.

\*\*Template 74180733 (ELU2416(10)) or 74180732 (ELUH2416(10)) is packed with every sink.



ELU2416 Model



ELUH2416 Model

In keeping with our policy of continuing product improvement, Elkay reserves the right to change product specifications without notice. Please visit [elkayusa.com](http://elkayusa.com) for most current version of Elkay product specification sheets.

This specification describes an Elkay product with design, quality and functional benefits to the user. When making a comparison of other producers' offerings, be certain these features are not overlooked.