

DAYTON® SPECIFICATIONS

Dayton® Premium Double Bowl Sink with Slim Rim Model DPXSR23322

GENERAL

Highest quality sink formed of #18 (1.2mm) gauge, type 300 series (18-8) nickel bearing stainless steel. Universal mount.

DESIGN FEATURES

Slim Rim: Ultra thin edge that virtually eliminates the barrier between the sink and countertop, allowing for a universal (top or undermount) installation option.

Bowl Depth: 8" (203mm)

Coved Corners: 1-3/4" (44mm) horizontal radius and 1-3/4" (44mm) and 2" (51mm) vertical radii.

Finish: Exposed surfaces are hand polished to a Premium Satin finish.

Underside: Fully undercoated to reduce condensation and dampen sound.

OTHER

Drain opening: 3-1/2" (89mm)

Sink complies with ASME A112.19.3/ CSA B45.4



Sinks are listed by IAPMO® as meeting the applicable requirements of the Uniform Plumbing Code®, International Plumbing Code®, and National Plumbing Code of Canada.

OPTIONAL ACCESSORIES

Bottom Grid: GOBG1520LSS (left bowl), GOBG1520RSS (right bowl)

Cutting Board: LKCB1520LTHW (large bowl, top mount),

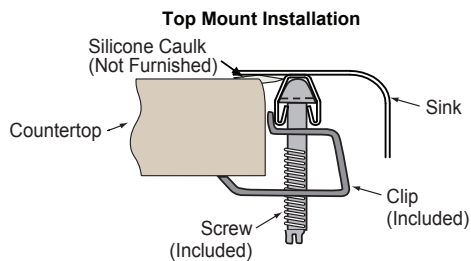
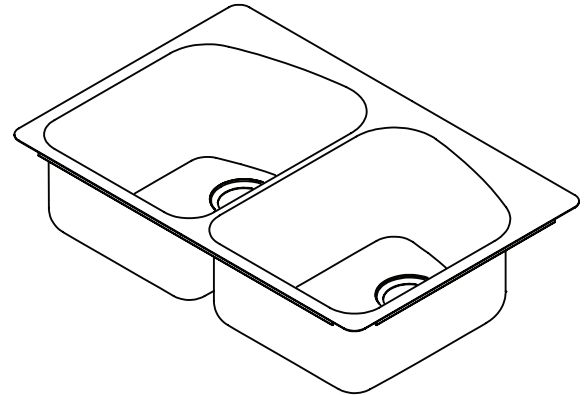
LKCB1520LUHW (large bowl, undermount)

Drain: D1125

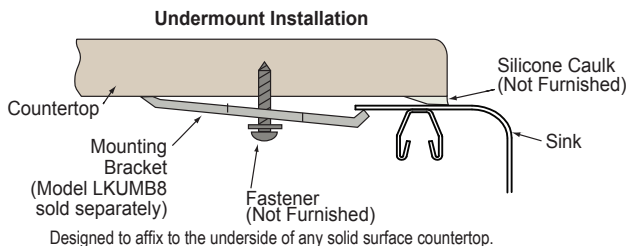
Mounting Hardware: LK364

Rinsing Basket: LKWERBSS (large bowl)

Utensil Caddy for Rinsing Basket: LKWUCSS



For countertops thicker than 3/4" up to 1-1/2", Elkay recommend using LK364.



In keeping with our policy of continuing product improvement, Elkay reserves the right to change product specifications without notice. Please visit elkayusa.com for most current version of Elkay product specification sheets.

This specification describes an Elkay product with design, quality and functional benefits to the user. When making a comparison of other producers' offerings, be certain these features are not overlooked.

DAYTON[®]

SPECIFICATIONS

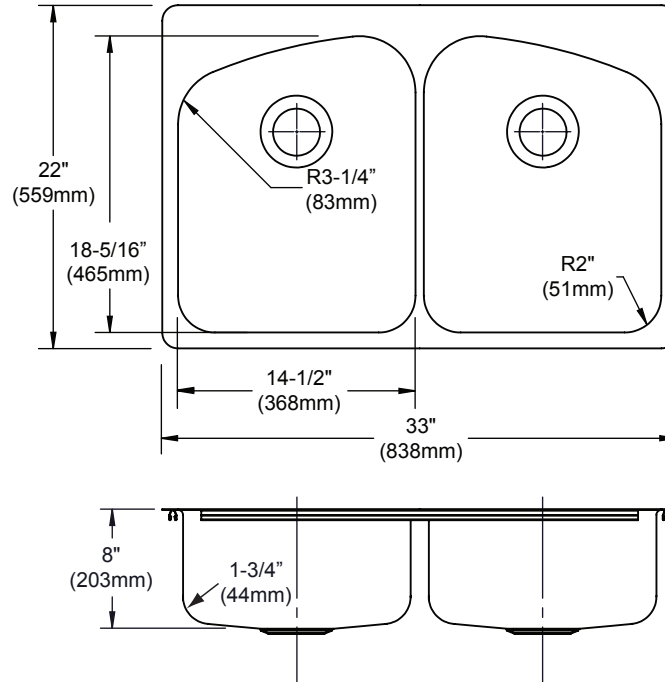
Dayton[®] Premium Double Bowl Sink with Slim Rim Model DPXSR23322

SINK DIMENSIONS*

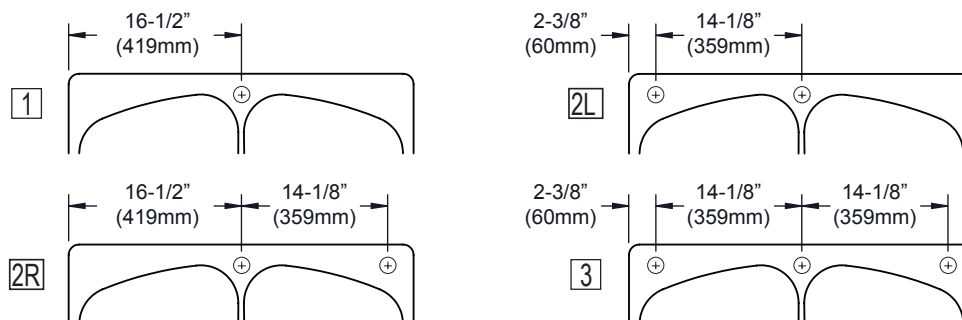
Model Number	Overall		Inside Left Bowl			Inside Right Bowl			Cutout in Countertop (1 1/2" [38mm] Radius Corners)		No. of 1 1/2" (38mm) Dia. Faucet Holes 4" (102mm) Center	Minimum Cabinet Size
	L	W	L	W	D	L	W	D	L	W		
DPXSR23322	33 (838mm)	22 (559mm)	14-1/2 (368mm)	18-5/16 (465mm)	8 (203mm)	14-1/2 (368mm)	18-5/16 (465mm)	8 (203mm)	32-3/8 (822mm)	21-3/8 (543mm)	1, 2L, 2R, or 3	36 (914mm)

*Length is left to right. Width is front to back.

**Template #0000000908 available on website or by ordering via customer care.



Hole Drilling Configurations 1-1/2" (38mm) Diameter Faucet Holes



In keeping with our policy of continuing product improvement, Elkay reserves the right to change product specifications without notice. Please visit elkayusa.com for most current version of Elkay product specification sheets.

This specification describes an Elkay product with design, quality and functional benefits to the user. When making a comparison of other producers' offerings, be certain these features are not overlooked.