

ELKAY[®]

SPECIFICATIONS

Harmony™ Double Bowl Sink with Perfect Drain™ and Slim Rim Model LKHSR33229PD

GENERAL

Highest quality sink formed of #18 (1.2mm) gauge, type 304 (18-8) nickel bearing stainless steel with **Perfect Drain**. Universal mount.

DESIGN FEATURES

Slim Rim: Ultra thin edge that virtually eliminates the barrier between the sink and countertop, allowing for a universal (top or undermount) installation option.

Bowl Depths: 9" (229mm), Overall 10-1/2" (267mm)

Coved Corners: 1-3/4" (44mm) horizontal radius and 2" (51mm) and 3-1/4" (83mm) vertical radii.

Finish: Exposed surfaces are hand polished to a Lustrous Highlighted Satin finish.

Underside: Fully protected by Sound Guard[®] undercoating to reduce condensation and dampen sound.

Perfect Drain: Seamlessly welded stainless steel collar eliminates the gap between a traditional drain and the sink for a sanitary and gap free installation. Each sink shipped with two LKPD1 drain kits, or a garbage disposer can be installed on either sink bowl for user convenience.

Patent Pending

OTHER

Drain opening: 3-3/8" (86mm)

Waste Fitting complies with ASME A112.18.2/CAN/CSA-B125.2

Sink complies with ASME A112.19.3-2008 / CSA B45.4-08.



These sinks are listed by the International Association of Plumbing and Mechanical Officials as meeting the requirements of the Uniform Plumbing Code and the National Plumbing Code of Canada.

OPTIONAL ACCESSORIES

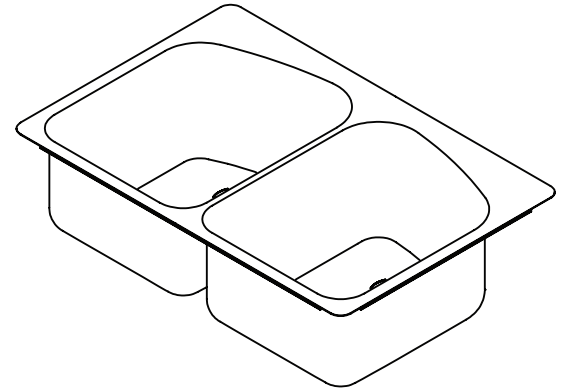
Bottom Grid: LKWOBG1520LSS (left bowl), LWOBG1520RSS (right bowl)

Cutting Board: LKCB1520LTHW (large bowl, top mount), LKCB1520LUHW (large bowl, undermount)

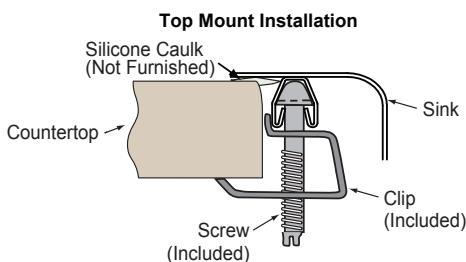
Mounting Hardware: LK364

Rinsing Basket: LKWERBSS (large bowl)

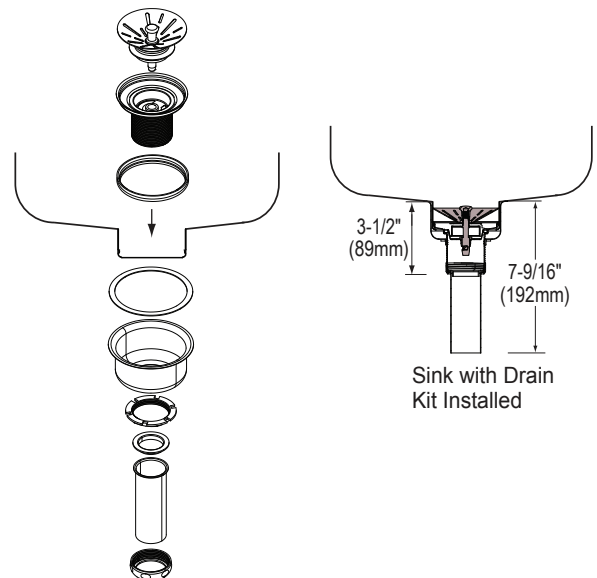
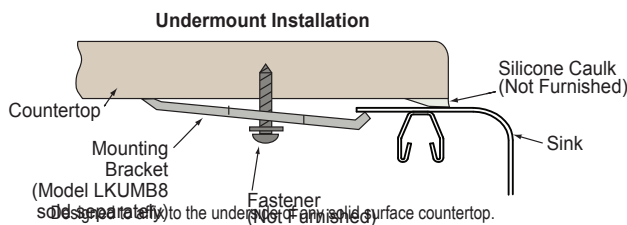
Utensil Caddy for Rinsing Basket: LKWUCSS



Model LKHSR33229PD



For countertops thicker than 3/4" up to 1-1/2", Elkay recommend using LK364.



In keeping with our policy of continuing product improvement, Elkay reserves the right to change product specifications without notice. Please visit elkayusa.com for most current version of Elkay product specification sheets.

This specification describes an Elkay product with design, quality and functional benefits to the user. When making a comparison of other producers' offerings, be certain these features are not overlooked.

ELKAY[®]

SPECIFICATIONS

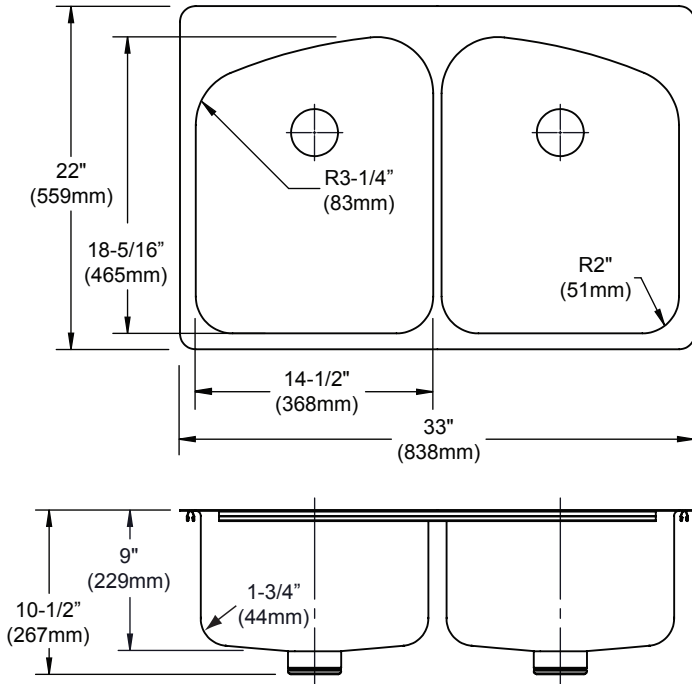
Harmony™ Double Bowl Sink with Perfect Drain™ and Slim Rim Model LKHSR33229PD

SINK DIMENSIONS*

Model Number	Overall			Inside Left Bowl			Inside Right Bowl			Cutout in Countertop (1 1/2" [38mm] Radius Corners)		No. of 1 1/2" (38mm) Dia. Faucet Holes 4" (102mm) Center	Minimum Cabinet Size
	L	W	D	L	W	D	L	W	D	L	W		
LKHSR33229PD	33 (838mm)	22 (559mm)	10-1/2" (267mm)	14-1/2" (368mm)	18-5/16" (465mm)	9 (229mm)	14-1/2" (368mm)	18-5/16" (465mm)	9 (229mm)	32-3/8" (822mm)	21-3/8" (543mm)	1, 2L, 2R, or 3	36 (914mm)

*Length is left to right. Width is front to back.

**Template #0000000908 available on website or by ordering via customer care.



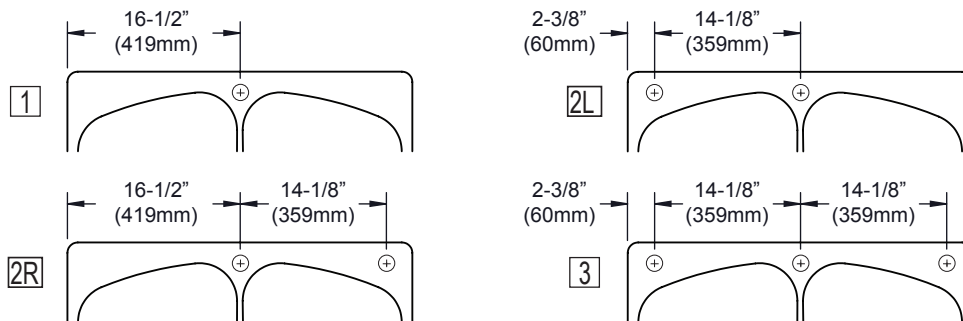
in sink erator[®]

Elkay[®] Perfect Drain™ sinks are designed and approved for compatible disposers manufactured by InSinkEerator[®] utilizing the Quick Lock[®] mounting configuration. Use of non-approved disposers may void Elkay warranty.

InSinkEerator, Quick Lock and the mounting collar configuration are trademarks of Emerson Electric Co.



Hole Drilling Configurations 1-1/2" (38mm) Diameter Faucet Holes



In keeping with our policy of continuing product improvement, Elkay reserves the right to change product specifications without notice. Please visit elkayusa.com for most current version of Elkay product specification sheets.

This specification describes an Elkay product with design, quality and functional benefits to the user. When making a comparison of other producers' offerings, be certain these features are not overlooked.