

ELKAY[®]

SPECIFICATIONS

Harmony™ Undermount Sink with Perfect Drain™ Model ELUH31229RPD

GENERAL

Highest quality sink formed of #18 (1.2mm) gauge, type 304 (18-8) nickel bearing stainless steel with **Perfect Drain**. Undermount.

DESIGN FEATURES

Bowl Depth: 9" (229mm), Overall Depth: 10-1/2" (267mm)

Coved Corners: 1-3/4" (44mm) horizontal radius and 2" (51mm) vertical and 3-1/4" (83mm) radii.

Finish: Exposed surfaces are hand polished to a Lustrous Satin finish.

Underside: Fully protected by Sound Guard[®] undercoating to reduce condensation and dampen sound.

Perfect Drain: Seamlessly welded stainless steel collar eliminates the gap between a traditional drain and the sink for a sanitary and gap free installation. Each sink shipped with two LKPD1 drain kits, or a garbage disposer can be installed on either sink bowl for user convenience.

Patent Pending

OTHER

Drain opening: 3-3/8" (86mm)

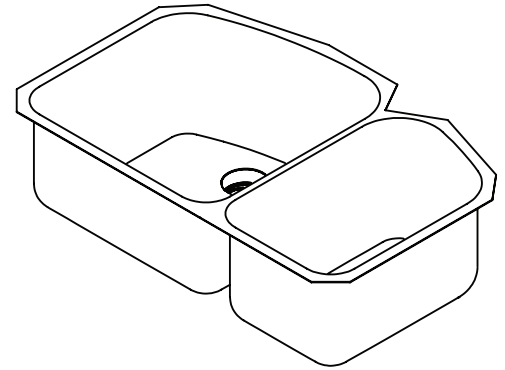
NOTE: All Elkay undermount sinks are designed to affix to the underside of any solid surface countertop.

Waste Fitting complies with ASME A112.18.2/CAN/CSA-B125.2

Sink complies with ASME A112.19.3-2008 / CSA B45.4-08.



These sinks are listed by the International Association of Plumbing and Mechanical Officials as meeting the requirements of the Uniform Plumbing Code and the National Plumbing Code of Canada.



Model ELUH31229RPD



OPTIONAL ACCESSORIES

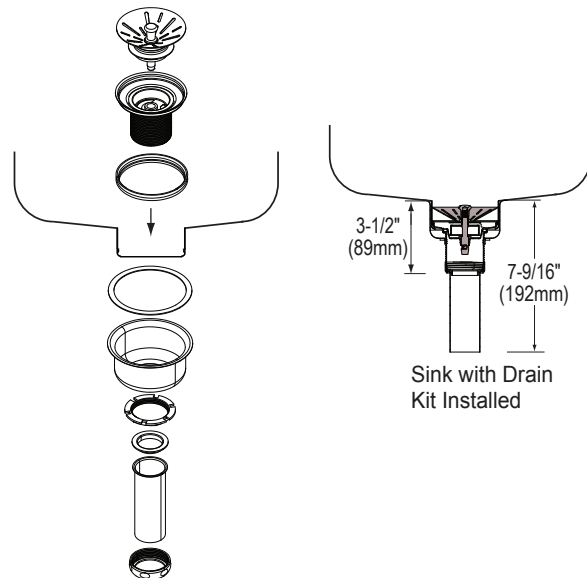
Bottom Grid: LKWOBG1819SS (large bowl), LKWOBG1118SS (small bowl)

Cutting Board: LKCB1520LUHW (large bowl)

Mounting Clip: LKUCLIP8

Rinsing Basket: LKWWRB1819SS (large bowl), LKWWRBSS

Utensil Caddy for Rinsing Basket: LKWUCSS



SEE NEXT PAGE FOR PRODUCT DIMENSIONS.

In keeping with our policy of continuing product improvement, Elkay reserves the right to change product specifications without notice. Please visit elkayusa.com for most current version of Elkay product specification sheets.

This specification describes an Elkay product with design, quality and functional benefits to the user. When making a comparison of other producers' offerings, be certain these features are not overlooked.

ELKAY[®]

SPECIFICATIONS

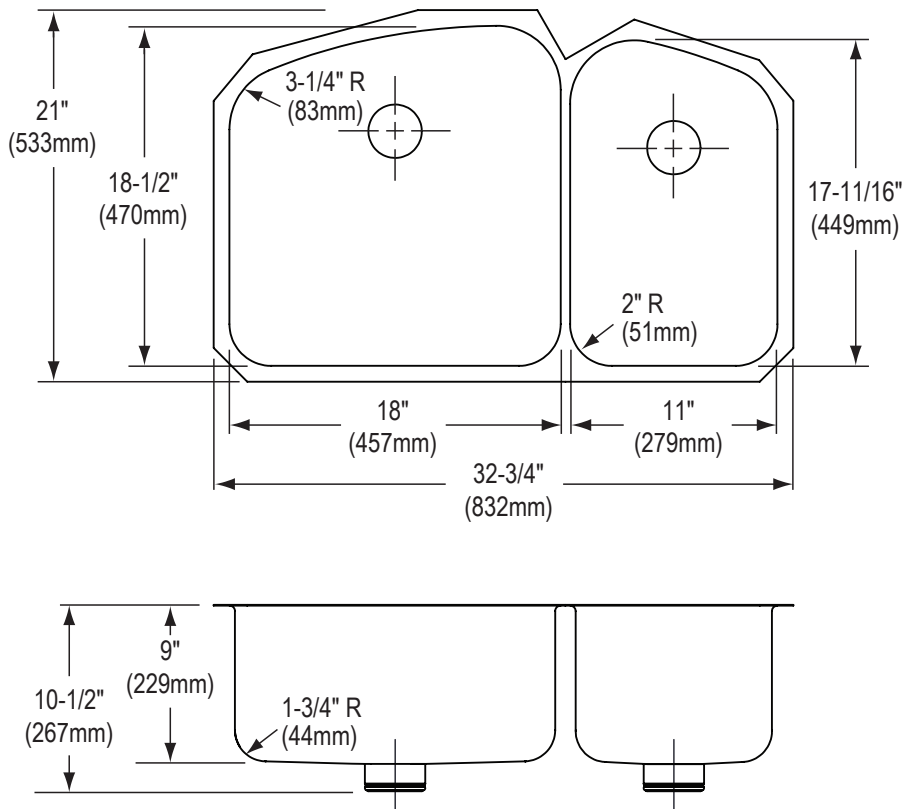
Harmony™ Undermount Sink with Perfect Drain™ Model ELUH31229RPD

SINK DIMENSIONS*

Model Number	Overall			Inside Left Bowl			Inside Right Bowl			Cutout in Countertop	Minimum Cabinet Size
	L	W	D	L	W	D	L	W	D		
ELUH31229RPD	32-3/4 (832mm)	21 (533mm)	10-1/2 (267mm)	18-1/2 (470mm)	18 (457mm)	9 (229mm)	13-1/2 (343mm)	17-11/16 (449mm)	9 (229mm)	See Template**	36 (914mm)

*Length is left to right. Width is front to back.

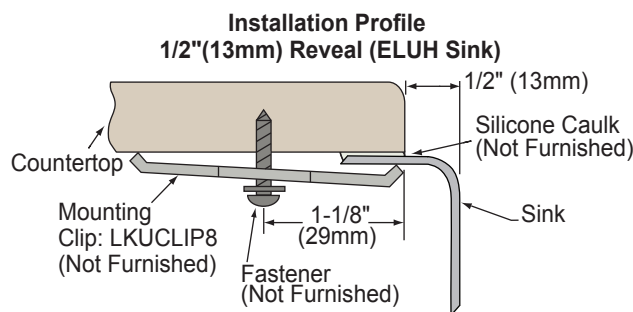
**Template 74180731 is packed with every sink.



in sink erator[®]

Elkay[®] Perfect Drain™ sinks are designed and approved for compatible disposers manufactured by InSinkErator[®] utilizing the Quick Lock[®] mounting configuration. Use of non-approved disposers may void Elkay warranty.

InSinkErator, Quick Lock and the mounting collar configuration are trademarks of Emerson Electric Co.



Designed to affix to the underside of any solid surface countertop.

In keeping with our policy of continuing product improvement, Elkay reserves the right to change product specifications without notice. Please visit elkayusa.com for most current version of Elkay product specification sheets.

This specification describes an Elkay product with design, quality and functional benefits to the user. When making a comparison of other producers' offerings, be certain these features are not overlooked.