

ELKAY® SPECIFICATIONS

Gourmet e-dock™ Undermount Sink Model ELU2816EK and ELUH2816EK Series

GENERAL

Highest quality sink formed of #18 (1.2mm) gauge, type 304 (18-8) nickel bearing stainless steel with e-dock. Undermount.

DESIGN FEATURES

Bowl Depth: 7-1/2" (200mm) ELU[H]2816EK, 10" (254mm) ELU[H]281610EK

Coved Corners: 1-3/4" (44mm) vertical and horizontal radius.

Finish: Exposed surfaces are hand blended to a Lustrous (Highlighted) Satin finish.

Underside: Fully protected by Sound Guard® undercoating to reduce condensation and dampen sound.

e-dock sinks have been designed to allow stainless steel accessories to be magnetically positioned on any of the four sidewalls of the sink. Each e-dock sink is shipped with the stainless steel hook accessory (LKEKHOOK). Additional e-dock accessories are available.

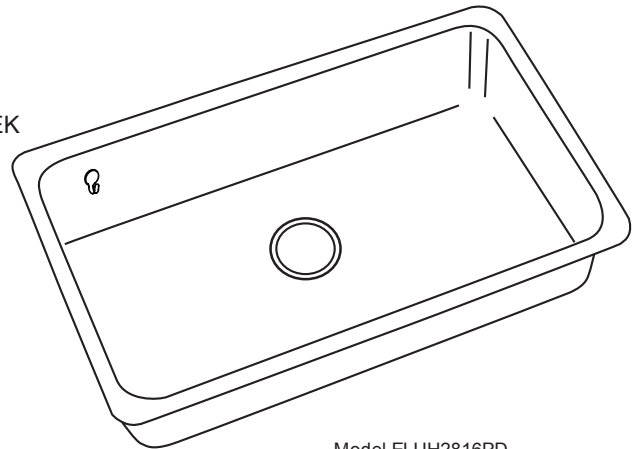
Patent Pending

OTHER

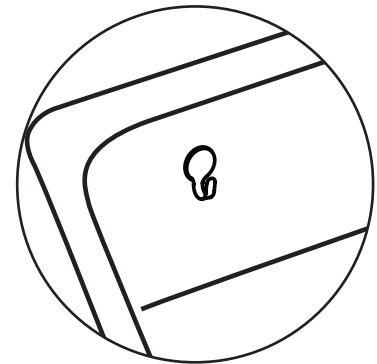
Drain opening: 3-1/2" (89mm)

NOTE: All Elkay undermount sinks are designed to affix to the underside of any solid surface countertop.

Sink complies with ASME A112.19.3-2008 / CSA B45.4-08.



Model ELUH2816PD



Included

OPTIONAL ACCESSORIES

Bottom Grid: LKWOBG2816SS

Cutting Boards: CB1713, CBS1316 (ELUH models only)

Drain: LK99

Rinsing Baskets: LKWRB2816SS, LKWERBSS

Utensil Caddy for Rinsing Baskets: LKWUCSS

Mounting Hardware: LKUCLIP8 (2 packages required)

e-dock ACCESSORIES*

Model Number	Description	Overall			Material
		L	W	D	
LKEKSPONGE	Sponge Holder	3-1/2 (89mm)	1-1/4 (32mm)	3-1/8 (79mm)	Stainless Steel
LKEKLEDGE	Ledge	2-5/8 (67mm)	3-1/2 (89mm)	3-7/8 (98mm)	Stainless Steel
LKEKHOOK	Hook	1-3/4 (44mm)	1-1/8 (29mm)	2-7/16 (62mm)	Stainless Steel
LKEKUTENSIL	Utensil Holder	3 (76mm)	2-1/2 (51mm)	5-3/8 (137mm)	Stainless Steel
LKDEK35	Disposal Cover	2-11/16 (68mm)	2-11/16 (68mm)	1-1/4 (32mm)	Stainless Steel

*Furnished with magnet (LKEKMAGNET)



LKEKSPONGE



LKEKLEDGE



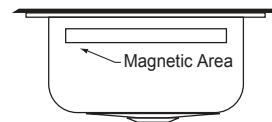
LKEKHOOK



LKEKUTENSIL



LKDEK35



All four sides of sink

Warning: This product contains magnets. Keep away from credit cards, computer hard drives, magnetic I.D. cards, and other magnetic media. Magnets may interfere with medical devices such as pacemakers. Consult your physician before use. Pinch hazard - magnets can jump out of your hands and snap together from a surprising distance before you realize what's happening.

In keeping with our policy of continuing product improvement, Elkay reserves the right to change product specifications without notice. Please visit elkayusa.com for most current version of Elkay product specification sheets.

This specification describes an Elkay product with design, quality and functional benefits to the user. When making a comparison of other producers' offerings, be certain these features are not overlooked.

Elkay

elkayusa.com

2222 Camden Court
Oak Brook, IL 60523

Printed in U.S.A.
©2011 Elkay

(Rev. 07/11) 1-444A

ELKAY® SPECIFICATIONS

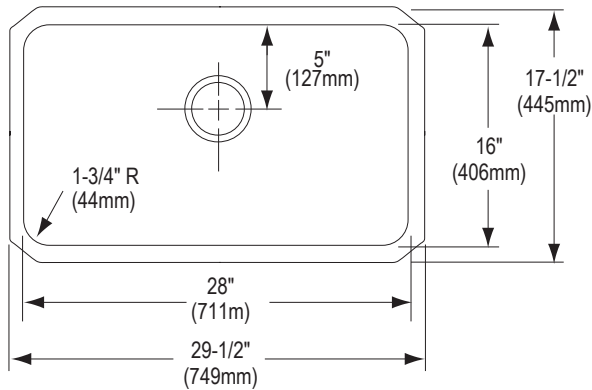
Gourmet e-dock™ Undermount Sink Model ELU2816EK and ELUH2816EK Series

SINK DIMENSIONS*

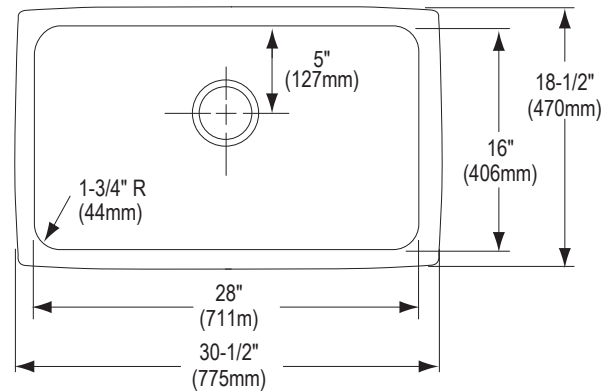
Model Number	Overall		Inside Each Bowl			Cutout in Countertop	Minimum Cabinet Size
	L	W	L	W	D		
ELU2816EK	29-1/2 (749mm)	17-1/2 (445mm)	28 (711mm)	16 (406mm)	7-1/2 (191mm)	See Template**	33 (838mm)
ELU281610EK	29-1/2 (749mm)	17-1/2 (445mm)	28 (711mm)	16 (406mm)	10 (254mm)		33 (838mm)
ELUH2816EK	30-1/2 (775mm)	18-1/2 (470mm)	28 (711mm)	16 (406mm)	7-1/2 (191mm)		36 (914mm)
ELUH281610EK	30-1/2 (775mm)	18-1/2 (470mm)	28 (711mm)	16 (406mm)	10 (254mm)		36 (914mm)

*Length is left to right. Width is front to back.

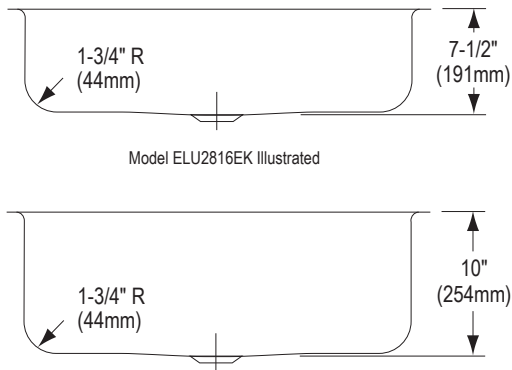
**Template 74180171 (ELU2816(10)) or 74180252 (ELUH2816(10)) is packed with every sink.



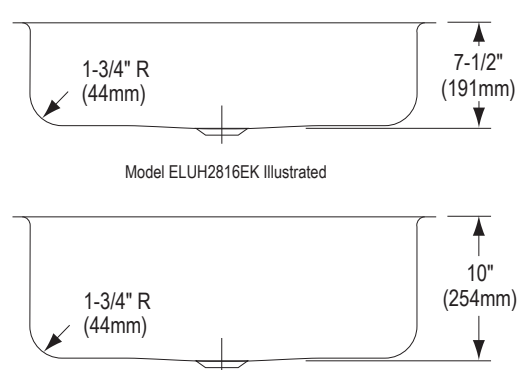
Model ELU2816EK Illustrated



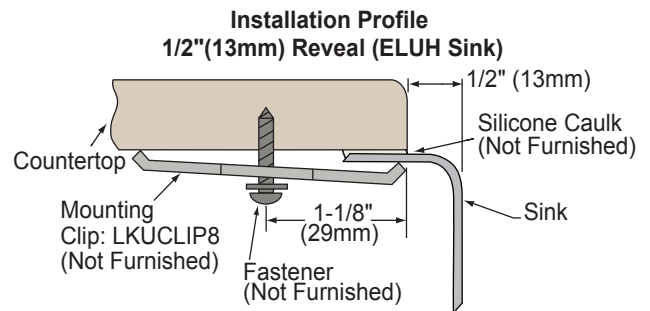
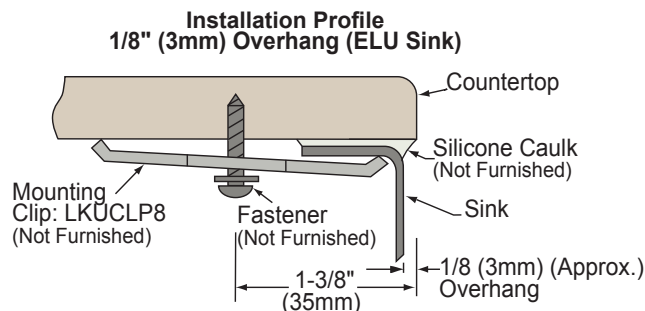
Model ELUH2816EK Illustrated



Model ELU281610EK Illustrated



Model ELUH281610EK Illustrated



Designed to affix to the underside of any solid surface countertop.

In keeping with our policy of continuing product improvement, Elkay reserves the right to change product specifications without notice. Please visit elkayusa.com for most current version of Elkay product specification sheets.

This specification describes an Elkay product with design, quality and functional benefits to the user. When making a comparison of other producers' offerings, be certain these features are not overlooked.