

ELKAY® SPECIFICATIONS

**Gourmet Sink
with Perfect Drain™
Models LR3322PD**

GENERAL

Highest quality sink formed of #18 gauge, type 304 (18-8) nickel bearing stainless steel with **Perfect Drain**. Top mount.

DESIGN FEATURES

Bowl Depths: 8-1/8" (206mm), Overall depth: 9-5/8" (244mm)

Coved Corners: 1-3/4" (44mm) vertical and horizontal radius.

Rim Height: 3/8" (10mm)

Finish: Exposed surfaces are hand polished to a Lustrous Highlighted Satin finish.

Underside: Fully protected by Sound Guard® undercoating to reduce condensation and dampen sound.

Perfect Drain: Seamlessly welded stainless steel collar eliminates the gap between a traditional drain and the sink for a sanitary and gap free installation.

Each sink shipped with two LKPD1 drain kits, or a garbage disposer can be installed on either sink bowl for user convenience.

Patent Pending

OTHER

Drain opening: 3-3/8" (86mm)

Waste Fitting complies with ASME A112.18.2/CAN/CSA-B125.2

Sink complies with ASME A112.19.3-2008 / CSA B45.4-08.



These sinks are listed by the International Association of Plumbing and Mechanical Officials as meeting the requirements of the Uniform Plumbing Code and the National Plumbing Code of Canada.

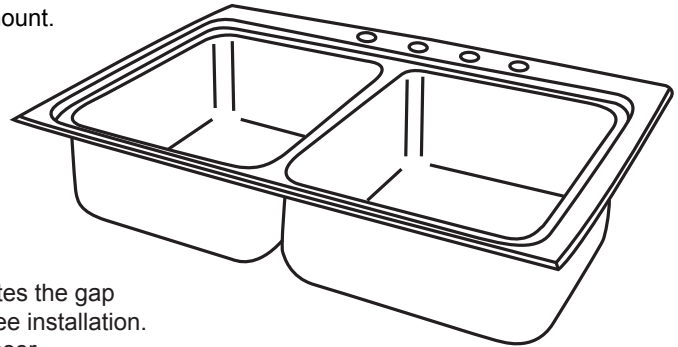
OPTIONAL ACCESSORIES

Bottom Grid: LKWBG1316SS

Cutting Board: CB1613, CB1713, CBR1316, CBS1316

Rinsing Basket: LKW RB1316SS, LKW ERBSS

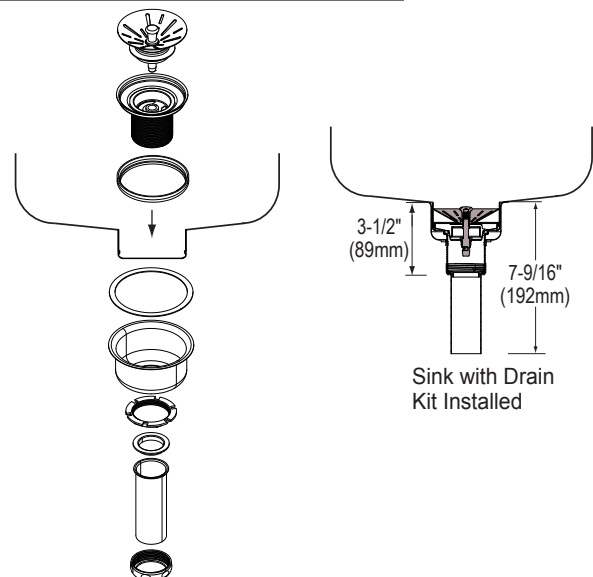
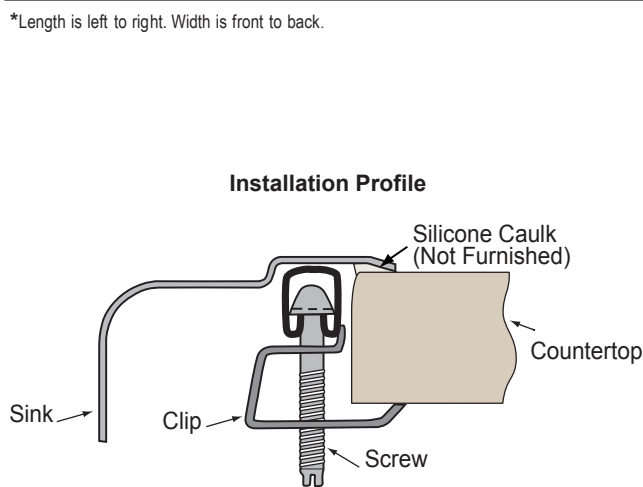
Utensil Caddy for Rinsing Basket: LKWUCSS



SINK DIMENSIONS*

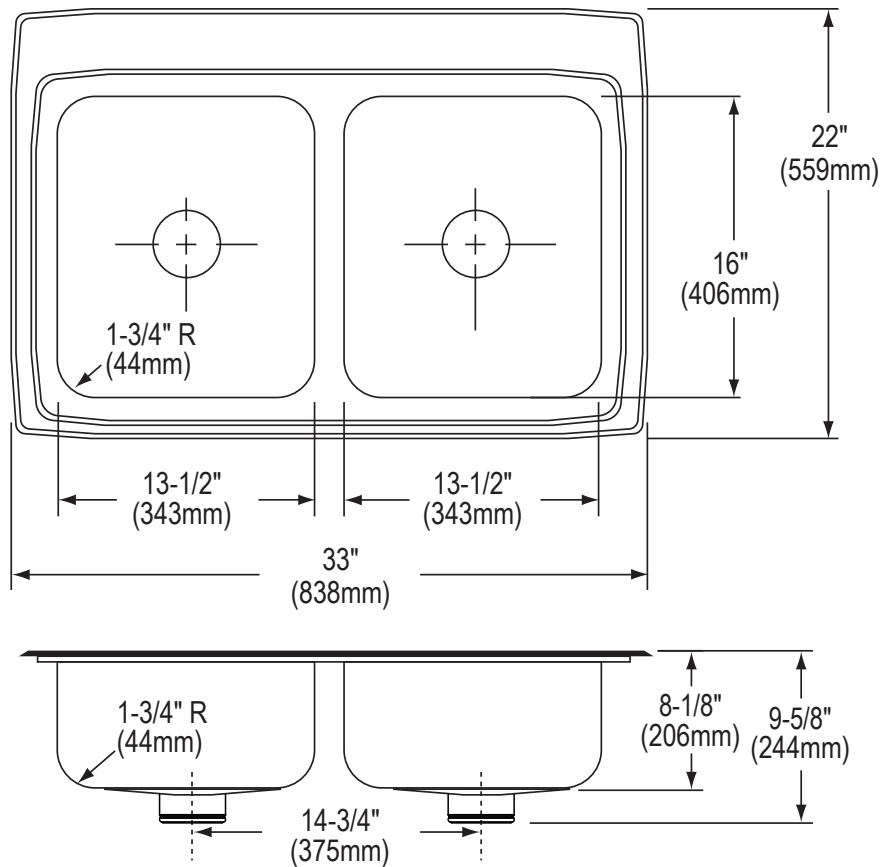
Model Number	Overall			Inside Bowl			Cutout in Countertop (1 1/2" [38mm] Radius Corners)		No. of 1 1/2" (38mm) Dia. Faucet Holes 4" (102mm) Center	Minimum Cabinet Size
	L	W	D	L	W	D	L	W		
LR3322PD	33 (838mm)	22 (559mm)	9-5/8 (244mm)	13-1/2 (343mm)	16 (406mm)	8-1/8 (206mm)	32 3/8 (822mm)	21 3/8 (543mm)	1, 2, MR2, 3, 4 or 5	36 (914mm)

*Length is left to right. Width is front to back.



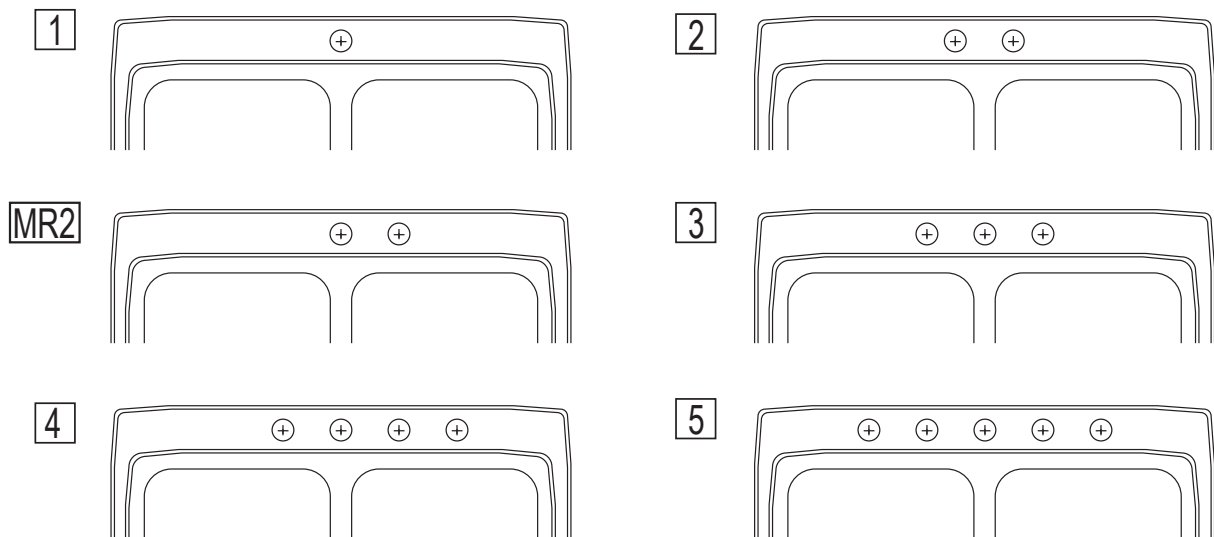
In keeping with our policy of continuing product improvement, Elkay reserves the right to change product specifications without notice.

This specification describes an Elkay product with design, quality and functional benefits to the user. When making a comparison of other producers' offerings, be certain these features are not overlooked.



Hole Drilling Configurations

1-1/2" (38mm) Diameter Faucet Holes on 4" (102mm) Centers



In keeping with our policy of continuing product improvement, Elkay reserves the right to change product specifications without notice.

This specification describes an Elkay product with design, quality and functional benefits to the user. When making a comparison of other producers' offerings, be certain these features are not overlooked.