

ELKAY[®]

SPECIFICATIONS

Gourmet Undermount Sink with Perfect Drain™

Model ELU1418PD and ELUH1418PD Series

GENERAL

Highest quality sink formed of #18 (1.2mm) gauge, type 304 (18-8) nickel bearing stainless steel with **Perfect Drain**. Undermount.

DESIGN FEATURES

Bowl Depth: 7-7/8" (200mm), Overall depth: 9-3/8" (238mm) (ELU[H]1418)
10" (254mm), Overall depth: 11-1/2" (293mm)(ELU[H]141810).

Coved Corners: 1-3/4" (44mm) vertical and horizontal radius.

Finish ELU1418: Exposed surfaces are hand blended to a Lustrous Satin finish.

Finish ELUH1418: Exposed surfaces are hand blended to a Lustrous Highlighted Satin finish.

Underside: Fully protected by Sound Guard[®] undercoating to reduce condensation and dampen sound.

Perfect Drain: Seamlessly welded stainless steel collar eliminates the gap between a traditional drain and the sink for a sanitary and gap free installation. Each sink shipped with one LKPD1 drain kit, or a garbage disposer can be installed for user convenience.

Patent Pending

OTHER

Drain opening: 3-3/8" (86mm)

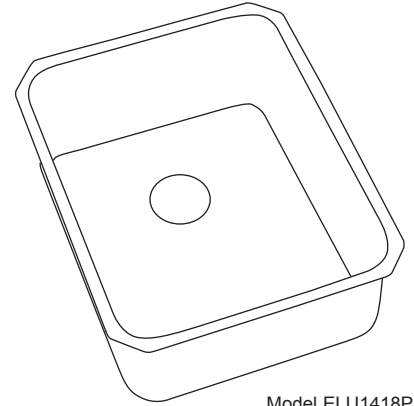
NOTE: All Elkay undermount sinks are designed to affix to the underside of any solid surface countertop.

Waste Fitting complies with ASME A112.18.2/CAN/CSA-B125.2

Sink complies with ASME A112.19.3-2008 / CSA B45.4-08.



These sinks are listed by the International Association of Plumbing and Mechanical Officials as meeting the requirements of the Uniform Plumbing Code and the National Plumbing Code of Canada.



Model ELU1418PD

SINK PACKAGE(S)

MODEL	SINK	BOTTOM GRID	QTY	DRAIN	QTY
ELU1418PDBG	ELU1418PD	LKWOBG1418SS	1	LKPD1	1
ELU141810PDBG	ELU141810PD	LKWOBG1418SS	1	LKPD1	1
ELUH1418PDBG	ELUH1418PD	LKWOBG1418SS	1	LKPD1	1
ELUH141810PDBG	ELUH141810PD	LKWOBG1418SS	1	LKPD1	1

OPTIONAL ACCESSORIES

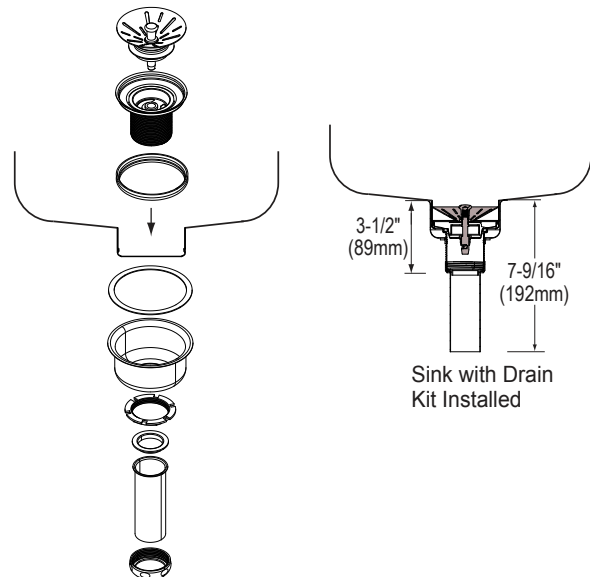
Bottom Grid: LKWOBG1418SS

Cutting Boards: CBR1418, CBS1418 (ELUH models only)

Rinsing Baskets: LKWRB1418SS, LKWERBSS

Utensil Caddy for Rinsing Basket: LKWUCSS

Mounting Clip: LKUCLIP8



In keeping with our policy of continuing product improvement, Elkay reserves the right to change product specifications without notice. Please visit elkayusa.com for most current version of Elkay product specification sheets.

This specification describes an Elkay product with design, quality and functional benefits to the user. When making a comparison of other producers' offerings, be certain these features are not overlooked.

Elkay

elkayusa.com

2222 Camden Court
Oak Brook, IL 60523

Printed in U.S.A.
©2011 Elkay

(Rev. 07/11) 1-410

ELKAY[®]

SPECIFICATIONS

Gourmet Undermount Sink with Perfect Drain™

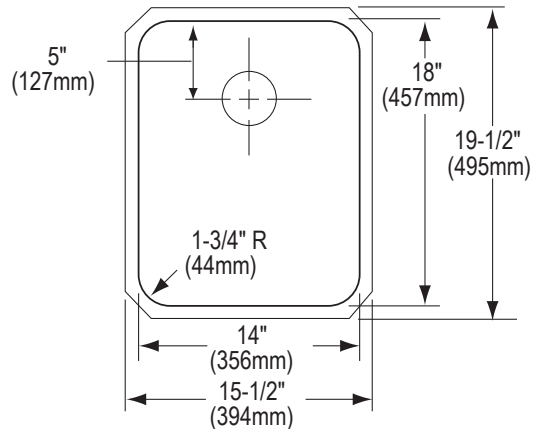
Model ELU1418PD and ELUH1418PD Series

SINK DIMENSIONS*

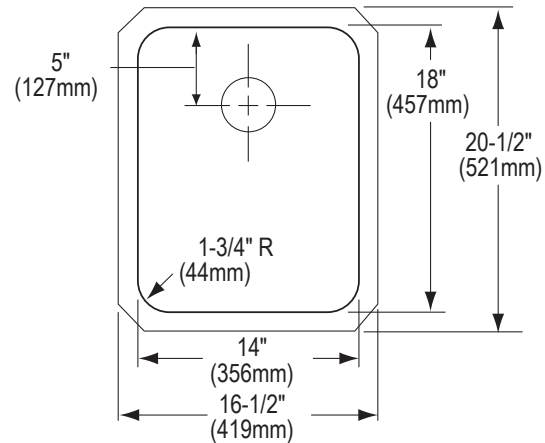
Model Number	Overall			Inside Bowl			Cutout in Countertop	Minimum Cabinet Size
	L	W	D	L	W	D		
ELU1418PD	15-1/2 (394mm)	19-1/2 (495mm)	9-3/8 (238mm)	14 (356mm)	18 (457mm)	7-7/8 (200mm)	See Template**	21 (533mm)
ELU141810PD	15-1/2 (394mm)	19-1/2 (495mm)	11-1/2 (292mm)	14 (356mm)	18 (457mm)	10 (254mm)		21 (533mm)
ELUH1418PD	16-1/2 (419mm)	20-1/2 (521mm)	9-3/8 (238mm)	14 (356mm)	18 (457mm)	7-7/8 (200mm)		21 (533mm)
ELUH141810PD	16-1/2 (419mm)	20-1/2 (521mm)	11-1/2 (292mm)	14 (356mm)	18 (457mm)	10 (254mm)		21 (533mm)

*Length is left to right. Width is front to back.

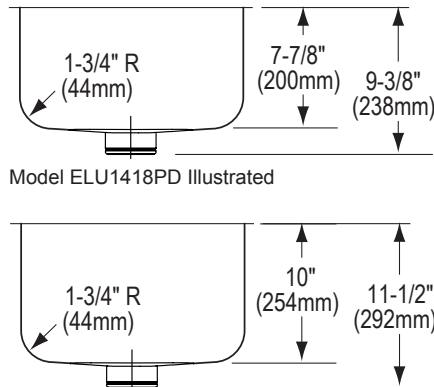
**Template #74180160 (ELU1418(10)) or #74180246 (ELUH1418(10)) is packed with every sink.



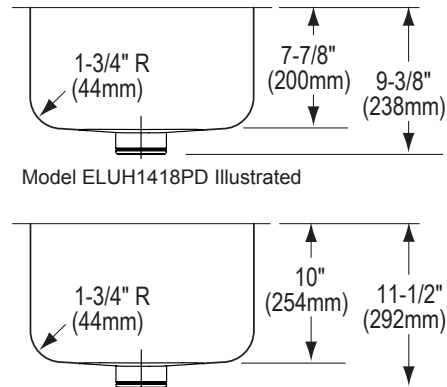
Model ELU1418PD Illustrated



Model ELUH1418PD Illustrated

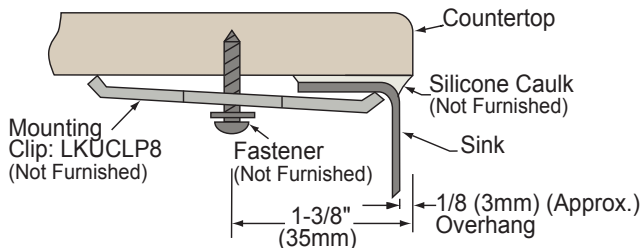


Model ELU141810PD Illustrated



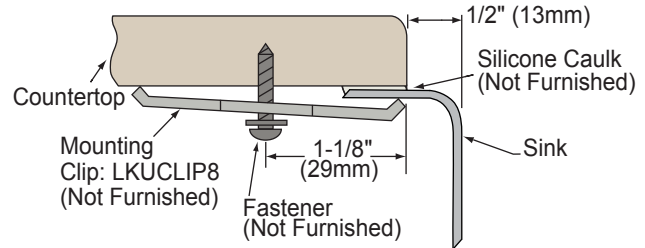
Model ELUH141810PD Illustrated

Installation Profile 1/8" (3mm) Overhang (ELU Sink)



Designed to affix to the underside of any solid surface countertop.

Installation Profile 1/2" (13mm) Reveal (ELUH Sink)



In keeping with our policy of continuing product improvement, Elkay reserves the right to change product specifications without notice. Please visit elkayusa.com for most current version of Elkay product specification sheets.

This specification describes an Elkay product with design, quality and functional benefits to the user. When making a comparison of other producers' offerings, be certain these features are not overlooked.