

ELKAY[®]

SPECIFICATIONS

Gourmet Undermount Sink with Perfect Drain™

Model ELU2816PD and ELUH2816PD Series

GENERAL

Highest quality sink formed of #18 (1.2mm) gauge, type 304 (18-8) nickel bearing stainless steel with **Perfect Drain**. Undermount.

DESIGN FEATURES

Bowl Depth: See chart on next page.
 Coved Corners: 1-3/4" (44mm) vertical and horizontal radius.
 Finish: Exposed surfaces are hand blended to a Lustrous (Highlighted) Satin finish.
 Underside: Fully protected by Sound Guard[®] undercoating to reduce condensation and dampen sound.

Perfect Drain: Seamlessly welded stainless steel collar eliminates the gap between a traditional drain and the sink for a sanitary and gap free installation. Each sink shipped with one LKPD1 drain kit, or a garbage disposer can be installed for user convenience.

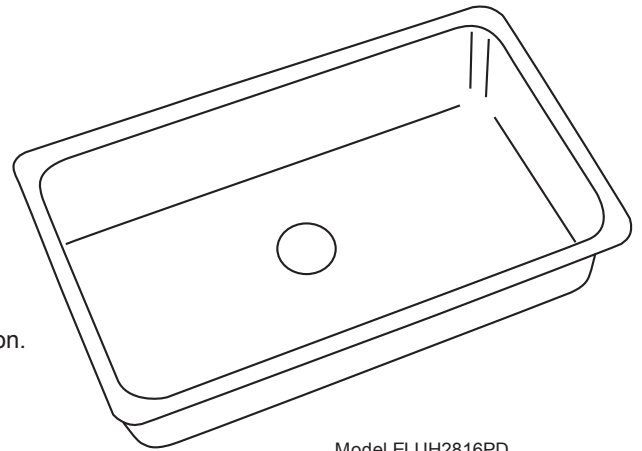
Patent Pending

OTHER

Drain opening: 3-3/8" (86mm)
 NOTE: All Elkay undermount sinks are designed to affix to the underside of any solid surface countertop.
 Waste Fitting complies with ASME A112.18.2/CAN/CSA-B125.2
 Sink complies with ASME A112.19.3-2008 / CSA B45.4-08.



These sinks are listed by the International Association of Plumbing and Mechanical Officials as meeting the requirements of the Uniform Plumbing Code and the National Plumbing Code of Canada.



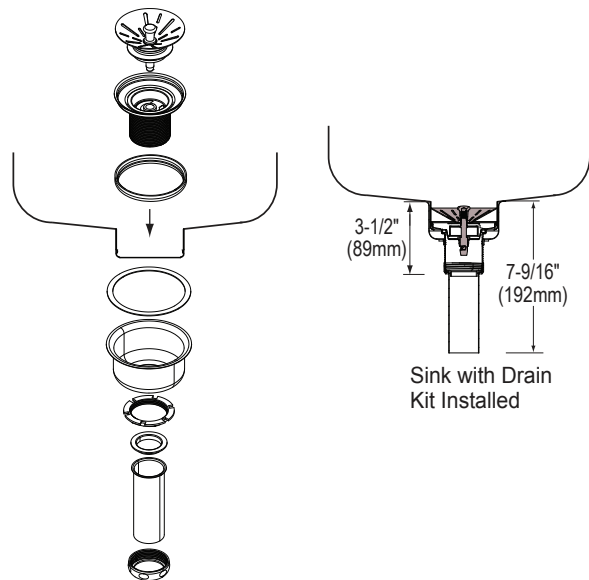
Model ELUH2816PD

SINK PACKAGE(S)

MODEL	SINK	BOTTOM GRID	QTY	DRAIN	QTY
ELU2816PDBG	ELU2816PD	LKWOBG2816SS	1	LKPD1	1
ELU281610PDBG	ELU281610PD	LKWOBG2816SS	1	LKPD1	1
ELUH2816PDBG	ELUH2816PD	LKWOBG2816SS	1	LKPD1	1
ELUH281610PDBG	ELUH281610PD	LKWOBG2816SS	1	LKPD1	1

OPTIONAL ACCESSORIES

Bottom Grid: LKWOBG2816SS
 Cutting Boards: CB1713, CBS1316 (ELUH models only)
 Rinsing Baskets: LKWWRB2816SS, LKWWRBSS
 Utensil Caddy for Rinsing Baskets: LKWUCSS
 Mounting Hardware: LKUCLIP8 (2 packages required)



In keeping with our policy of continuing product improvement, Elkay reserves the right to change product specifications without notice. Please visit elkayusa.com for most current version of Elkay product specification sheets.

This specification describes an Elkay product with design, quality and functional benefits to the user. When making a comparison of other producers' offerings, be certain these features are not overlooked.

Elkay

elkayusa.com

2222 Camden Court
 Oak Brook, IL 60523

Printed in U.S.A.
 ©2011 Elkay

(Rev. 07/11) 1-407

ELKAY[®]

SPECIFICATIONS

Gourmet Undermount Sink with Perfect Drain™

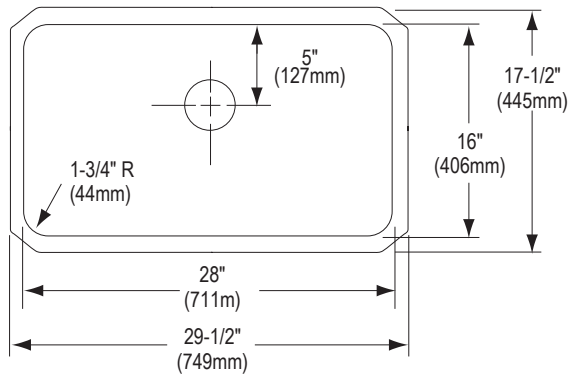
Model ELU2816PD and ELUH2816PD Series

SINK DIMENSIONS*

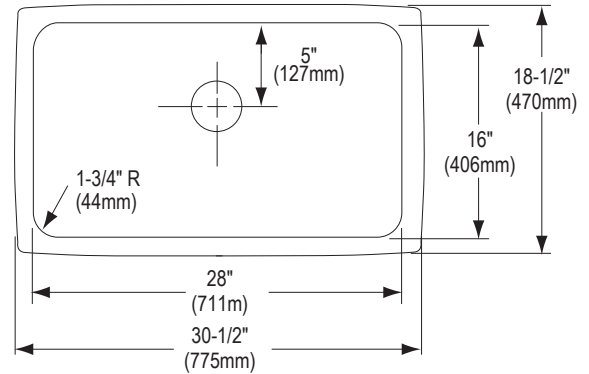
Model Number	Overall			Inside Each Bowl			Cutout in Countertop	Minimum Cabinet Size
	L	W	D	L	W	D		
ELU2816PD	29-1/2 (749mm)	17-1/2 (445mm)	9 (229mm)	28 (711mm)	16 (406mm)	7-1/2 (191mm)	See Template**	33 (838mm)
ELU281610PD	29-1/2 (749mm)	17-1/2 (445mm)	11-1/2 (292mm)	28 (711mm)	16 (406mm)	10 (254mm)		33 (838mm)
ELUH2816PD	30-1/2 (775mm)	18-1/2 (470mm)	9 (229mm)	28 (711mm)	16 (406mm)	7-1/2 (191mm)		36 (914mm)
ELUH281610PD	30-1/2 (775mm)	18-1/2 (470mm)	11-1/2 (292mm)	28 (711mm)	16 (406mm)	10 (254mm)		36 (914mm)

*Length is left to right. Width is front to back.

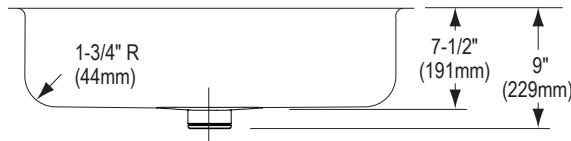
**Template 74180171 (ELU2816(10)) or 74180252 (ELUH2816(10)) is packed with every sink.



Model ELU2816PD Illustrated



Model ELUH2816PD Illustrated

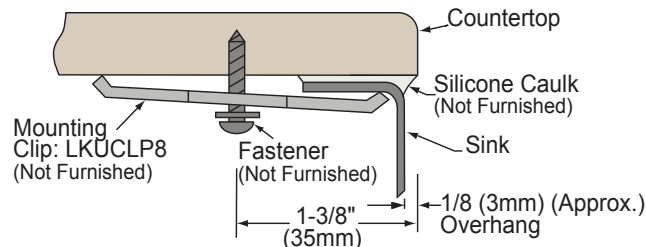


Model ELU281610PD Illustrated

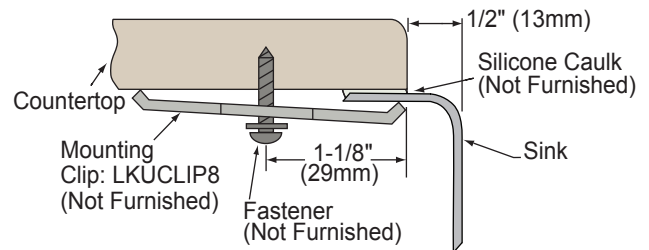


Model ELUH281610PD Illustrated

Installation Profile 1/8" (3mm) Overhang (ELU Sink)



Installation Profile 1/2" (13mm) Reveal (ELUH Sink)



Designed to affix to the underside of any solid surface countertop.

In keeping with our policy of continuing product improvement, Elkay reserves the right to change product specifications without notice. Please visit elkayusa.com for most current version of Elkay product specification sheets.

This specification describes an Elkay product with design, quality and functional benefits to the user. When making a comparison of other producers' offerings, be certain these features are not overlooked.