

ELKAY[®]

SPECIFICATIONS

Gourmet Sink with Perfect Drain™ Model LR3321PD

GENERAL

Highest quality sink formed of #18 (1.2mm) gauge, type 304 (18-8) nickel bearing stainless steel with **Perfect Drain**. Top mount.

DESIGN FEATURES

Bowl Depths: 7-7/8" (200mm), Overall 9-3/8" (238mm)

Coved Corners: 1-3/4" (44mm) vertical and horizontal radius.

Bowl and Faucet Deck Recess: 3/16" (5mm) below outside edge of sink.

Rim Height: 5/32" (4mm)

Finish: Exposed surfaces are hand polished to a Lustrous Highlighted Satin finish.

Underside: Fully protected by Sound Guard[®] undercoating to reduce condensation and dampen sound.

Perfect Drain: Seamlessly welded stainless steel collar eliminates the gap between a traditional drain and the sink for a sanitary and gap free installation. Each sink shipped with two LKPD1 drain kits, or a garbage disposer can be installed on either sink bowl for user convenience.

Patent Pending

OTHER

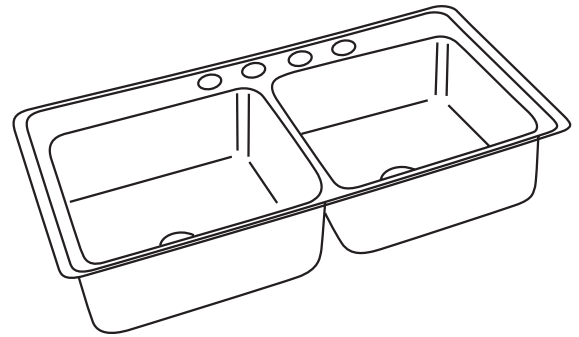
Drain opening: 3-3/8" (86mm)

Waste Fitting complies with ASME A112.18.2/CAN/CSA-B125.2

Sink complies with ASME A112.19.3-2008 / CSA B45.4-08.



These sinks are listed by the International Association of Plumbing and Mechanical Officials as meeting the requirements of the Uniform Plumbing Code and the National Plumbing Code of Canada.



Model LR3321PD4

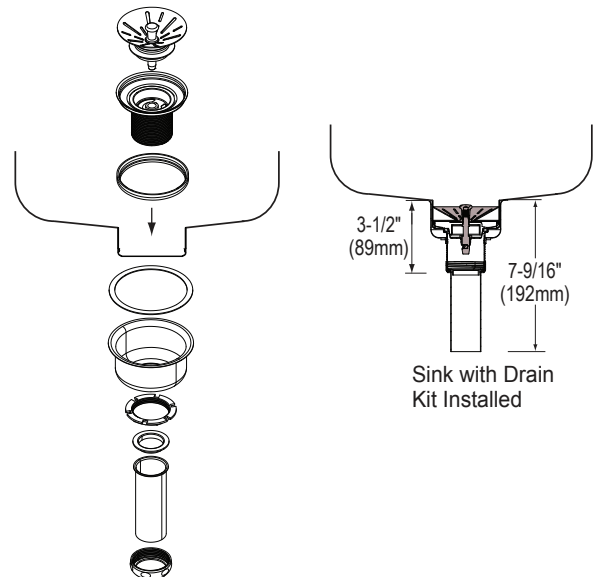
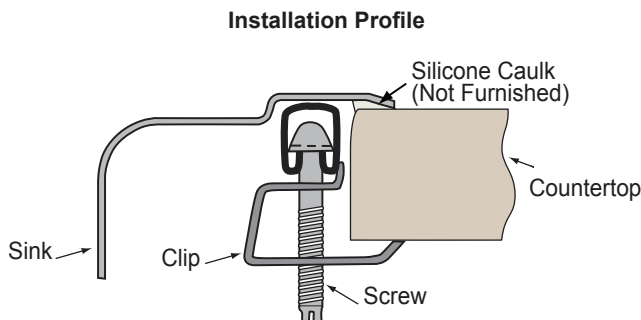
OPTIONAL ACCESSORIES

Bottom Grid: LKWBG1316SS

Cutting Board: CB1613, CB1713, CBR1316, CBS1316

Rinsing Basket: LKW RB1316SS, LKW ERBSS

Utensil Caddy for Rinsing Basket: LKWUCSS



In keeping with our policy of continuing product improvement, Elkay reserves the right to change product specifications without notice. Please visit elkayusa.com for most current version of Elkay product specification sheets.

This specification describes an Elkay product with design, quality and functional benefits to the user. When making a comparison of other producers' offerings, be certain these features are not overlooked.

ELKAY[®]

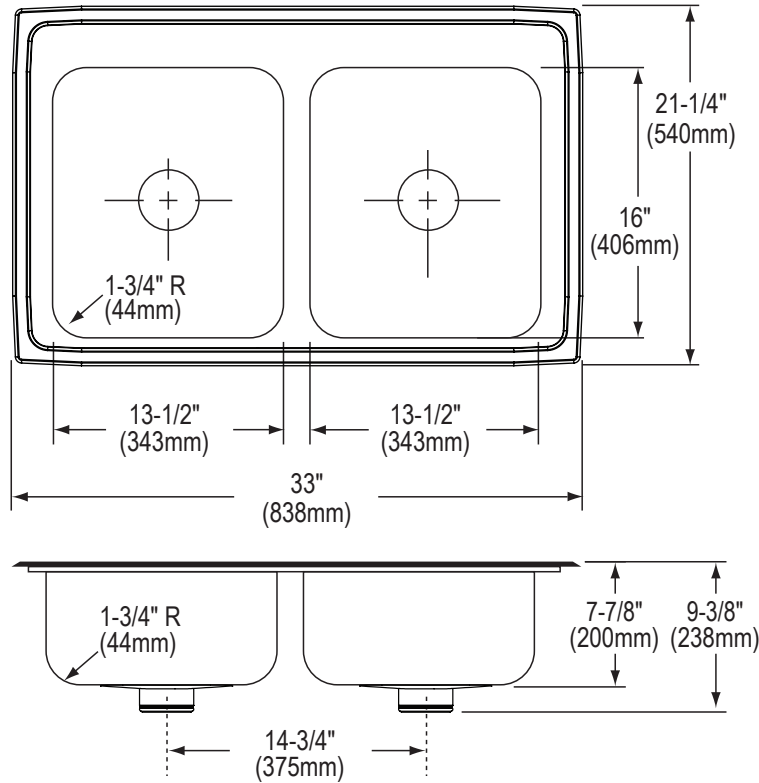
SPECIFICATIONS

**Gourmet Sink
with Perfect Drain™
Model LR3321PD**

SINK DIMENSIONS*

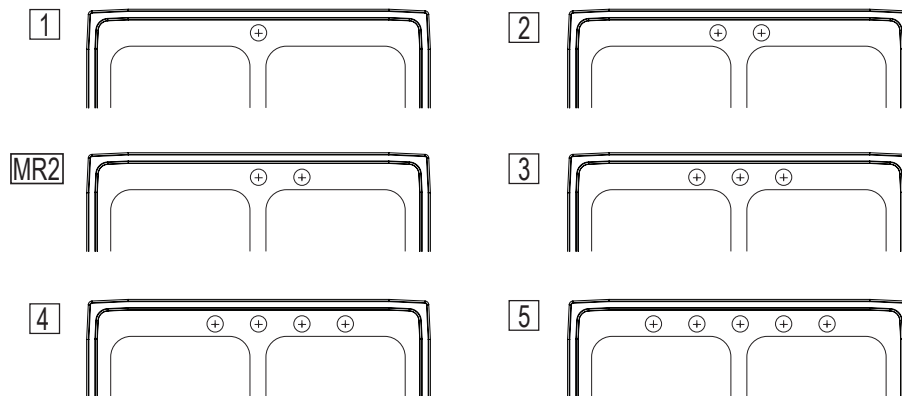
Model Number	Overall			Inside Each Bowl			Cutout in Countertop (1 1/2" [38mm] Radius Corners)		No. of 1 1/2" (38mm) Dia. Faucet Holes 4" (102mm) Center	Minimum Cabinet Size
	L	W	D	L	W	D	L	W		
LR3321PD	33 (838mm)	21-1/4 (540mm)	9-3/8 (238mm)	13-1/2 (343mm)	16 (406mm)	7-7/8 (200mm)	32-3/8 (822mm)	20-5/8 (524mm)	1,2,MR2,3,4, or 5	36 (914mm)

*Length is left to right. Width is front to back.



Hole Drilling Configurations

1-1/2" (38mm) Diameter Faucet Holes on 4" (102mm) Centers



In keeping with our policy of continuing product improvement, Elkay reserves the right to change product specifications without notice. Please visit elkayusa.com for most current version of Elkay product specification sheets.

This specification describes an Elkay product with design, quality and functional benefits to the user. When making a comparison of other producers' offerings, be certain these features are not overlooked.