

# ELKAY<sup>®</sup>

## SPECIFICATIONS

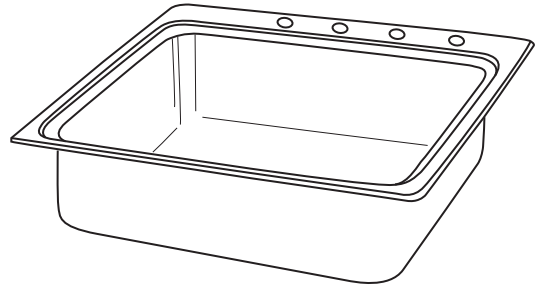
### Gourmet Sink with Perfect Drain™ Models LR2522PD

#### GENERAL

Highest quality sink formed of #18 (1.2mm) gauge, type 304 (18-8) nickel bearing stainless steel with **Perfect Drain**. Top mount.

#### DESIGN FEATURES

Bowl Depth: 8-1/8" (203mm), Overall 9-5/8" (244mm)  
Coved Corners: 1-3/4" (44mm) vertical and horizontal radius.  
Rim Height: 3/8" (10mm)  
Finish: Exposed surfaces are hand polished to a Lustrous Highlighted Satin finish.  
Underside: Fully protected by Sound Guard<sup>®</sup> undercoating to reduce condensation and dampen sound.



Model LR2522PD4

**Perfect Drain:** Seamlessly welded stainless steel collar eliminates the gap between a traditional drain and the sink for a sanitary and gap free installation. Each sink shipped with one LKPD1 drain kit, or a garbage disposer can be installed for user convenience.

#### Patent Pending

#### OTHER

Drain opening: 3-3/8" (86mm)  
Waste Fitting complies with ASME A112.18.2/CAN/CSA-B125.2  
Sink complies with ASME A112.19.3-2008 / CSA B45.4-08.

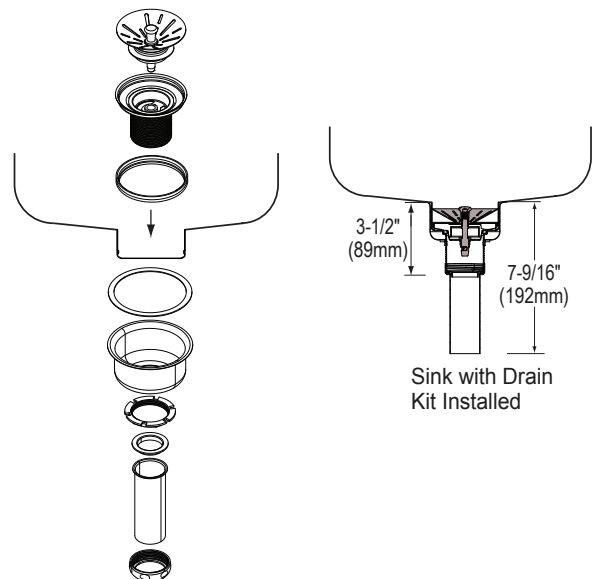
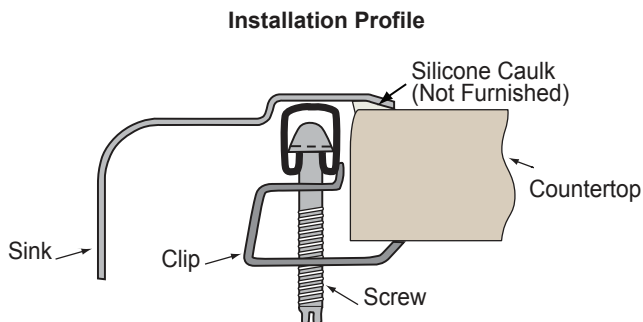


These sinks are listed by the International Association of Plumbing and Mechanical Officials as meeting the requirements of the Uniform Plumbing Code and the National Plumbing Code of Canada.



#### OPTIONAL ACCESSORIES

Bottom Grids: LKWBG2115SS  
Cutting Boards: CB1516  
Rinsing Baskets: LKWRB2115SS, LKWERBSS  
Utensil Caddy for Rinsing Basket: LKWUCSS



In keeping with our policy of continuing product improvement, Elkay reserves the right to change product specifications without notice. Please visit [elkayusa.com](http://elkayusa.com) for most current version of Elkay product specification sheets.

This specification describes an Elkay product with design, quality and functional benefits to the user. When making a comparison of other producers' offerings, be certain these features are not overlooked.

**Elkay**

[elkayusa.com](http://elkayusa.com)

2222 Camden Court  
Oak Brook, IL 60523

Printed in U.S.A.  
©2011 Elkay

(Rev. 07/11) 1-398

# ELKAY<sup>®</sup>

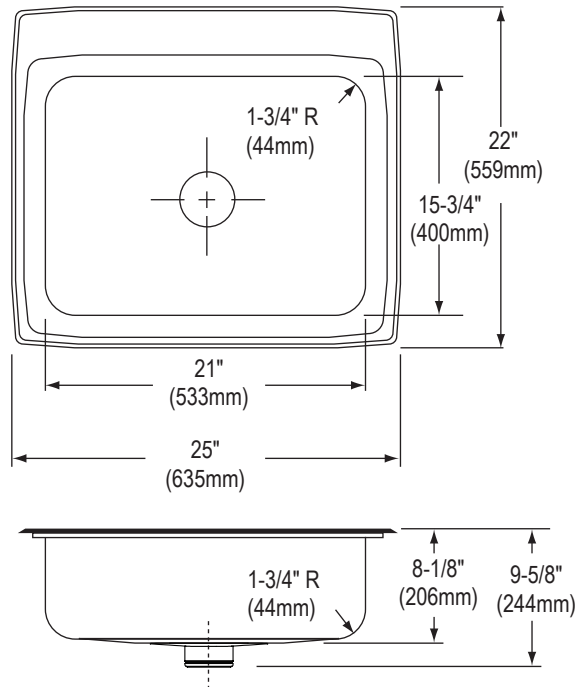
## SPECIFICATIONS

**Gourmet Sink  
with Perfect Drain™  
Models LR2522PD**

### SINK DIMENSIONS\*

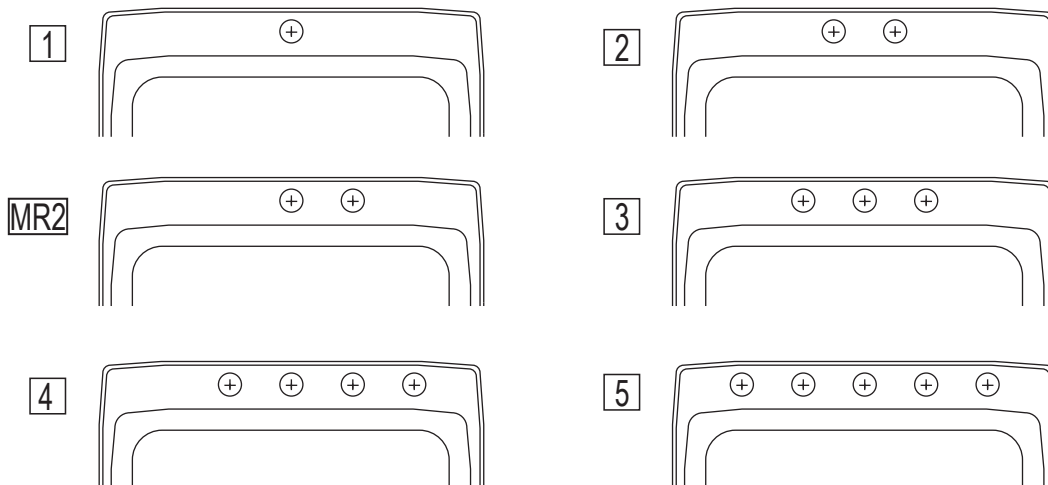
Model Number	Overall			Inside Bowl			Cutout in Countertop (1-1/2"(38mm) Radius Corners)		No. of 1 1/2" (38mm) Dia. Faucet Holes 4" (102mm) Center	Minimum Cabinet Size
	L	W	D	L	W	D				
LR2522PD	25 (635mm)	22 (559mm)	9-5/8 (244mm)	21 (533mm)	15-3/4 (400mm)	8-1/8 (206mm)	24-3/8 (619mm)	21-3/8 (543mm)	1, 2, MR2, 3, 4, or 5	30 (762mm)

\*Length is left to right. Width is front to back.



### Hole Drilling Configurations

1-1/2" (38mm) Diameter Faucet Holes on 4" (102mm) Centers



In keeping with our policy of continuing product improvement, Elkay reserves the right to change product specifications without notice. Please visit [elkayusa.com](http://elkayusa.com) for most current version of Elkay product specification sheets.

This specification describes an Elkay product with design, quality and functional benefits to the user. When making a comparison of other producers' offerings, be certain these features are not overlooked.