

# ELKAY<sup>®</sup>

## SPECIFICATIONS

### Gourmet Sink with Perfect Drain™ Models LFR Series

#### GENERAL

Highest quality sink formed of #18 gauge, type 304 (18-8) nickel bearing stainless steel with **Perfect Drain**. Top mount.

#### DESIGN FEATURES

Bowl Depth: 7-5/8" (194mm), Overall 9-1/8" (232mm)

Coved Corners: 1-3/4" (44mm) vertical and horizontal radius.

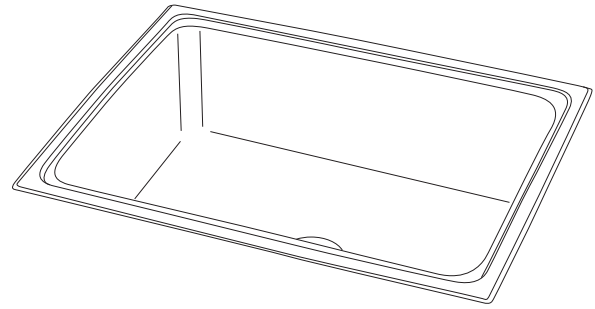
Rim Height: 5/32" (4mm)

Finish: Exposed surfaces are hand polished to a Lustrous Highlighted Satin finish.

Underside: Fully undercoated to dampen sound and reduce condensation.

**Perfect Drain:** Seamlessly welded stainless steel collar eliminates the gap between a traditional drain and the sink for a sanitary and gap free installation. Each sink shipped with one LKPD1 drain kit, or a garbage disposer can be installed for user convenience.

**Patent Pending**



Model LFR2519PD

#### OTHER

Drain opening: 3-3/8" (86mm)

Waste Fitting complies with ASME A112.18.2/CAN/CSA-B125.2

Sink complies with ASME A112.19.3-2008 / CSA B45.4-08.



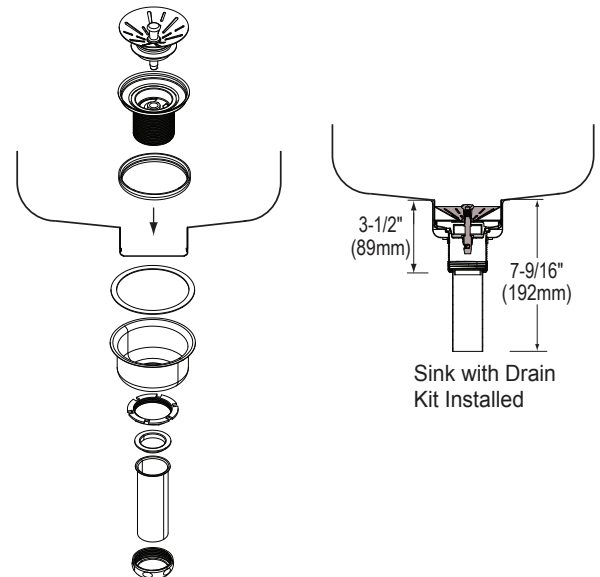
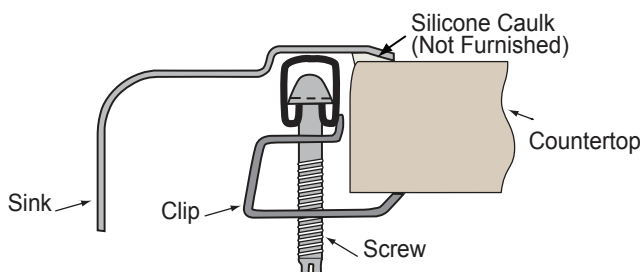
These sinks are listed by the International Association of Plumbing and Mechanical Officials as meeting the requirements of the Uniform Plumbing Code and the National Plumbing Code of Canada.



#### OPTIONAL ACCESSORIES

Model Number	Bottom Grid	Cutting Boards	Rinsing Basket	Utensil Caddy for Rinsing Basket
LFR1918PD	LKWBG1316SS	CB1613, CB1713 CBR1316, CBS1316	LKWRB1316SS LKWERBSS	LKWUCSS
LFR2519PD	LKWBG2115SS	CB1516	LKWRB2115SS LKWERBSS	LKWUCSS
DLFR191810PD	LKWBG1316SS	CB1613, CB1713 CBR1316, CBS1316	LKWRB1316SS LKWERBSS	LKWUCSS
DLFR251910PD	LKWBG2115SS	CB1516	LKWRB2115SS LKWERBSS	LKWUCSS

#### Installation Profile



In keeping with our policy of continuing product improvement, Elkay reserves the right to change product specifications without notice. Please visit [elkayusa.com](http://elkayusa.com) for most current version of Elkay product specification sheets.

This specification describes an Elkay product with design, quality, and functional benefits to the user. When making a comparison of others producers offerings, be certain these features are not overlooked.

# ELKAY<sup>®</sup>

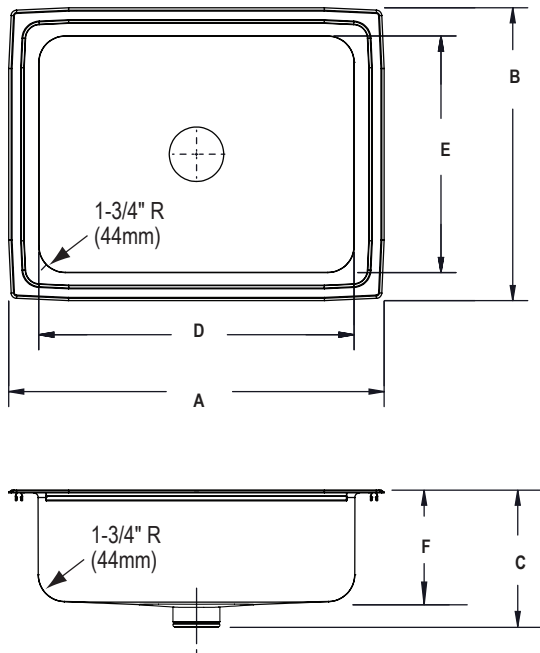
## SPECIFICATIONS

**Gourmet Sink  
with Perfect Drain™  
Models LFR Series**

### SINK DIMENSIONS (INCHES)\*

Model Number	Overall			Inside Bowl			Cutout in Countertop (1-1/2" (38mm) Radius Corners)		Minimum Cabinet Size
	L	W	D	L	W	D	L	W	
	A	B	C	D	E	F	L	W	
LFR1918PD	19 (483mm)	18 (457mm)	9-1/8 (232mm)	16 (406mm)	13-1/2 (343mm)	7-5/8 (194mm)	18-3/8 (467mm)	17-3/8 (441mm)	24 (610mm)
LFR2519PD	25 (635mm)	19-1/2 (495mm)	9-1/8 (232mm)	21 (533mm)	15-3/4 (400mm)	7-5/8 (194mm)	24-3/8 (619mm)	18-7/8 (479mm)	30 (762mm)
DLFR191810PD	19 (483mm)	18 (457mm)	11-5/8 (295mm)	16 (406mm)	13-1/2 (343mm)	10-1/8 (257mm)	18-3/8 (467mm)	17-3/8 (441mm)	24 (610mm)
DLFR251910PD	25 (635mm)	19-1/2 (495mm)	11-5/8 (295mm)	21 (533mm)	15-3/4 (400mm)	10-1/8 (257mm)	24-3/8 (619mm)	18-7/8 (479mm)	30 (762mm)

\*Length is left to right. Width is front to back.



Model LFR2519PD Illustrated

**in sink erator<sup>®</sup>**

Elkay<sup>®</sup> Perfect Drain™ sinks are designed and approved for compatible disposers manufactured by InSinkErator<sup>®</sup> utilizing the Quick Lock<sup>®</sup> mounting configuration. Use of non-approved disposers may void Elkay warranty.

InSinkErator, Quick Lock and the mounting collar configuration are trademarks of Emerson Electric Co.



*In keeping with our policy of continuing product improvement, Elkay reserves the right to change product specifications without notice. Please visit [elkayusa.com](http://elkayusa.com) for most current version of Elkay product specification sheets.*

*This specification describes an Elkay product with design, quality, and functional benefits to the user. When making a comparison of others producers offerings, be certain these features are not overlooked.*