

# ELKAY<sup>®</sup>

## SPECIFICATIONS

### The Mystic<sup>®</sup> by Elkay Undermount Sink Model MYSTICE332010

#### GENERAL

Highest quality sink formed of #18 (1.2mm) gauge, type 304 (18-8) nickel bearing stainless steel. Undermount.

#### DESIGN FEATURES

Bowl Depth: 10" (254mm).

Finish: Exposed surfaces are polished to a Bright Euro Highlighted finish.

Underside: Fully protected by heavy duty Sound Guard<sup>®</sup> undercoating designed to reduce condensation and dampen sound.

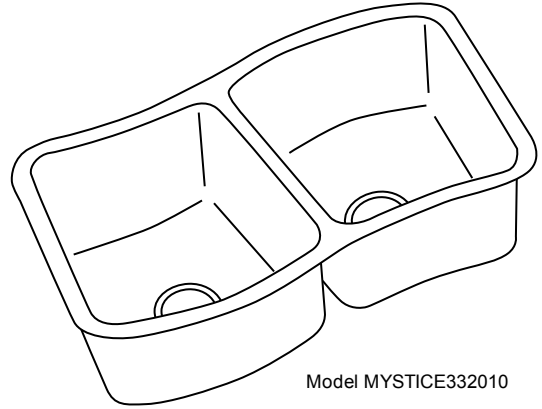
#### OTHER

Drain Opening: 3-1/2" (89mm).

NOTE: All Elkay undermount sinks are designed to affix to the underside of any solid surface countertop.

Installation: See illustrated profile below.

This sink complies with ASME A112.19.3-2008/CSA B45.4-08



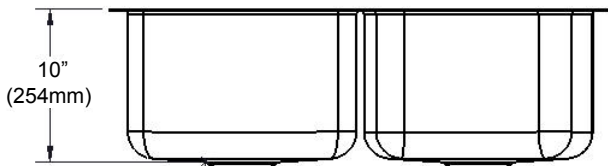
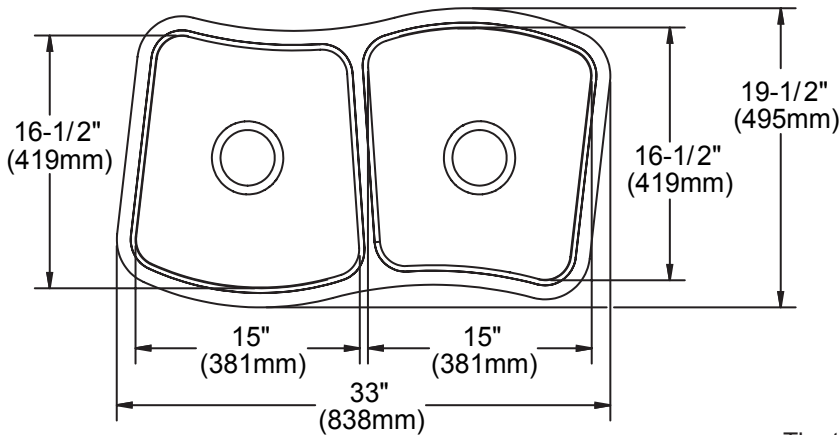
Model MYSTICE332010

#### SINK DIMENSIONS\*

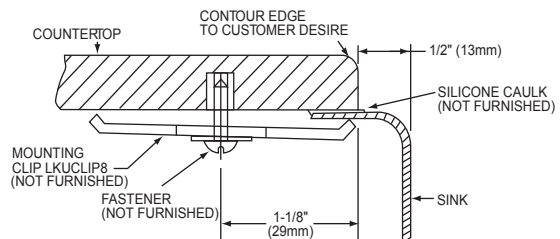
Model Number	Overall		Inside Each Bowl			Cutout in Countertop	Minimum Cabinet Size
	L	W	L	W	D		
MYSTICE332010	33 (838mm)	19 1/2 (495mm)	15 (381mm)	16 1/2 (419mm)	10 (254mm)	See Template**	36 (914mm)

\*Length is left to right. Width is front to back.

\*\*Template is packed with every sink.



**Installation Profile**  
The template provided with each sink provides the only type of installation recommended by Elkay



In keeping with our policy of continuing product improvement, Elkay reserves the right to change product specifications without notice. Please visit [elkayusa.com](http://elkayusa.com) for most current version of Elkay product specification sheets.

This specification describes an Elkay product with design, quality and functional benefits to the user. When making a comparison of other producers' offerings, be certain these features are not overlooked.

# ELKAY<sup>®</sup>

## SPECIFICATIONS

The Mystic<sup>®</sup> by Elkay Undermount Sink  
Model MYSTICE332010

### OPTIONAL ACCESSORIES

Mounting Clips: LKUCLIP8 (2 packages required)

Utensil Caddy for Rinsing Basket: LKWUCSS

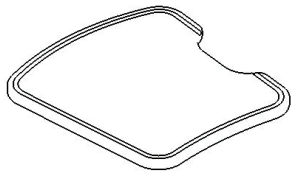
Drain: LK99

For Additional Accessories see table below

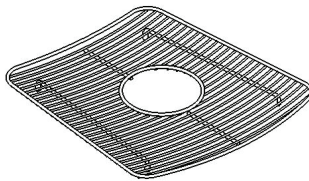
Model Number	Description	Bowl	Overall			Material/Finish
			L	W	Depth/Thickness	
LKCB1515HW	Cutting Boards	Both	15-3/4" (400mm)	17-1/4" (438mm)	1" (25mm)	Hardwood
LKWBG1515SS	Bottom Grid	Both	14-1/4" (363mm)	15-3/4" (400mm)	1-1/8" (29mm)	Polished Stainless Steel
LKWRB1515SS	Rinsing Basket	Both	13" (330mm)	14-1/2" (367mm)	5-1/2" (141mm)	Polished Stainless Steel

\*Length is left to right. Width is front to back.

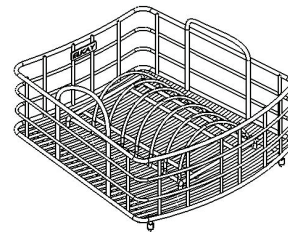
\*\*Sink must be installed with 1/2" reveal for cutting board to fit properly.



LKCB1515HW



LKWBG1515SS



LKWRB1515SS

In keeping with our policy of continuing product improvement, Elkay reserves the right to change product specifications without notice. Please visit [elkayusa.com](http://elkayusa.com) for most current version of Elkay product specification sheets.

This specification describes an Elkay product with design, quality and functional benefits to the user. When making a comparison of other producers' offerings, be certain these features are not overlooked.

**Elkay**

[elkayusa.com](http://elkayusa.com)

2222 Camden Court  
Oak Brook, IL 60523

Printed in U.S.A.  
©2010 Elkay

(Rev. 04/10)

1-385