

# ELKAY<sup>®</sup>

## SPECIFICATIONS

### Harmony<sup>®</sup> Undermount Single Bowl Sink Model ELUHE1716

#### GENERAL

Highest quality sink formed of a #18 (1.2mm) gauge, type 304 (18-8) nickel bearing stainless steel. Undermount.

#### DESIGN FEATURES

Bowl Depth: 7-1/2" (191mm).

Finish: Exposed surfaces are polished to a Bright Euro Highlighted finish.

Underside: Underside of sink is fully protected by heavy duty Sound Guard™ undercoating to reduce condensation and dampen sound.

#### OTHER

Drain Opening: 3-1/2" (89mm).

Note: All Elkay undermount sinks are designed to affix to the underside of any solid surface countertop.

These sinks comply with ASME A112.19.3-2008/CSA B45.4-08

#### OPTIONAL ACCESSORIES

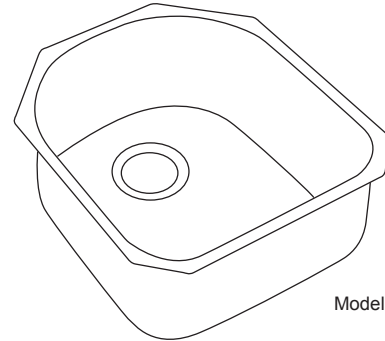
Bottom Grid: LKWOBG1617SS

Drain: LK99

Rinsing Baskets: LKWRB1617SS

Utencil Caddy for Rinsing Basket: LKWUCSS

Mounting Clip: LKUCLIP8



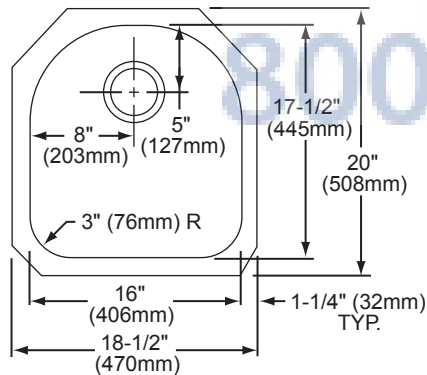
Model ELUHE1716

#### SINK DIMENSIONS\*

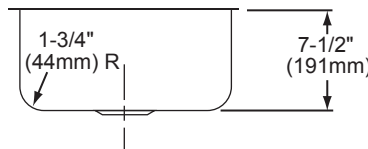
Model Number	Overall		Inside Bowl			Cutout in Countertop	Minimum Cabinet Size
	L	W	L	W	D		
ELUHE1716	18 1/2 (470mm)	20 (508mm)	16 (406mm)	17 1/2 (445mm)	7 1/2 (191mm)	See Template**	24 (610mm)

\*Length is left to right. Width is front to back.

\*\*Template is packed with every sink.

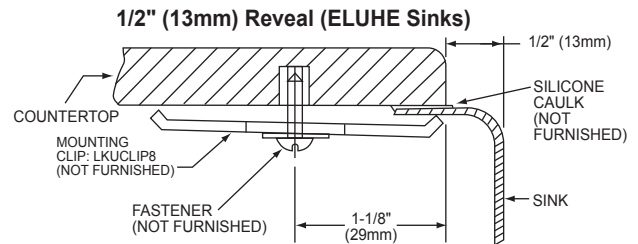


Model ELUHE1716 Illustrated



#### Installation Profile of ELUHE Single Bowl Models

The template provided with each ELUHE sink provides the only type of installation recommended by Elkay.



In keeping with our policy of continuing product improvement, Elkay reserves the right to change product specifications without notice. Please visit [elkayusa.com](http://elkayusa.com) for most current version of Elkay product specification sheets.

This specification describes an Elkay product with design, quality and functional benefits to the user. When making a comparison of other producers' offerings, be certain these features are not overlooked.