

ELKAY® SPECIFICATIONS

Pursuit™ Laundry/Utility Top Mount Sinks Model PLA2220C

GENERAL

Highest quality sink formed of #18 gauge, type 316 nickel bearing stainless steel. Top mount. Comes complete with LKD2439 faucet, LK1141A bubbler and LK335 drain.

DESIGN FEATURES

Bowl Depth: 7-5/8" (194mm).

Coved Corners: 1-3/4" (44mm) vertical and horizontal radius.

Bowl and Faucet Deck Recess: 3/16" (5mm) below outside edge of sink.

Finish: Exposed surfaces are hand blended to a lustrous satin finish.

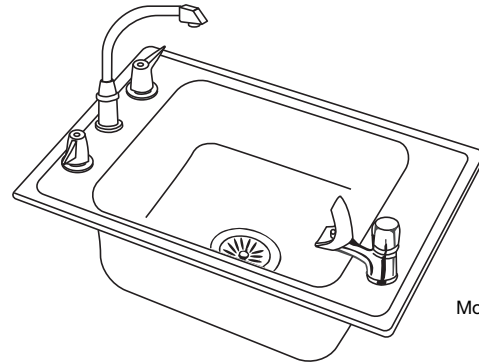
Underside: Fully protected by heavy duty enhanced Sound Guard® Plus undercoating to dampen sound and reduce condensation.

OTHER

Drain Opening: 3-1/2" (89mm).

NOTE: Sink is furnished with 3 (1-1/2" [38mm] diameter) faucet holes and 1 slotted bubbler hole as shown.

This sink complies with ASME A112.19.3-2008/CSA B45.4-08.

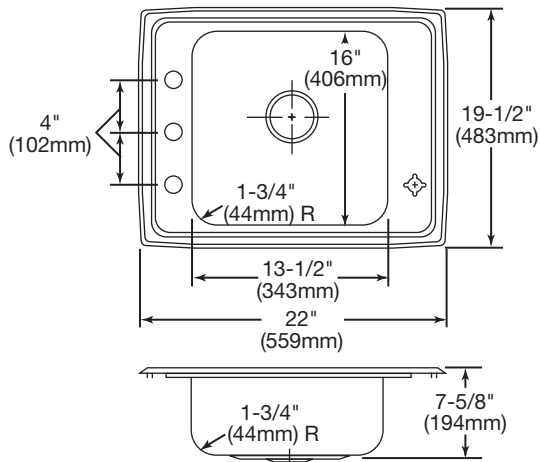


Model PLA2220C

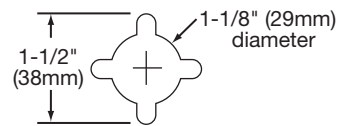
SINK DIMENSIONS*

Model Number	Number of Bowls	Overall		Inside Each Bowl			Cutout in Countertop [1 1/2" (38mm) Radius Corners]		No. of 1 1/2" (38mm) Faucet and Bubbler Holes	Minimum Cabinet Size
		L	W	L	W	D	L	W		
		A	B	C	D	E	L	W		
PLA2220C	1	22 (559mm)	19 1/2 (495mm)	13 1/2 (343mm)	16 (406mm)	7 5/8 (194mm)	21 3/8 (543mm)	18 7/8 (479mm)	4	27 (686mm)

*Length is left to right. Width is front to back.



Slotted Hole Detail



In keeping with our policy of continuing product improvement, Elkay reserves the right to change product specifications without notice. Please visit elkayusa.com for most current version of Elkay product specification sheets.

This specification describes an Elkay product with design, quality and functional benefits to the user. When making a comparison of other producers' offerings, be certain these features are not overlooked.

Elkay

elkayusa.com

2222 Camden Court
Oak Brook, IL 60523

Printed in U.S.A.
©2008 Elkay

(11/08)

1-322