

# ELKAY® SPECIFICATIONS

## Echo Double Bowl Sink Model ECTC332210 Series

### GENERAL

Formed of #18 (1.2mm) gauge bowls featuring a #20 (0.9mm) gauge deck, type 304 nickel bearing stainless steel. Top Mount.

### DESIGN FEATURES

Bowl Depth: 10" (254mm).

Coved Corners: 1-7/32" (31mm) vertical and horizontal radius.

Raised Rim: 1-1/4" (32mm) above outside edge of sink.

Finish: Exposed surfaces are polished to a lustrous satin finish.

Maximum countertop thickness: 1-3/8" (35mm).

Underside: Fully protected by heavy duty Sound Guard undercoating to prevent condensation and dampen sound.

### OTHER

Drain Opening: 3-1/2" (89mm).

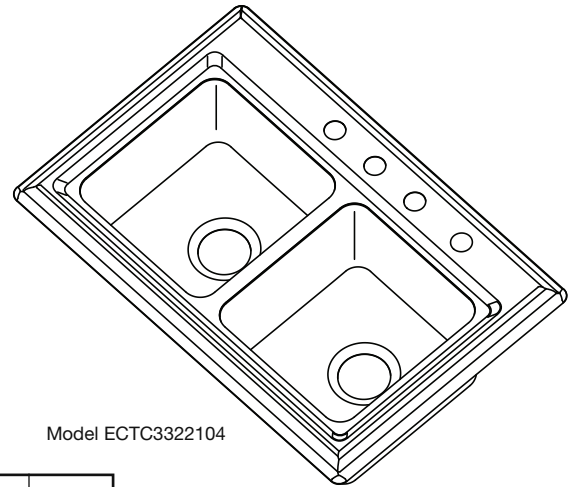
NOTE: Unless otherwise specified, sink is furnished with 4 faucet holes as illustrated.

Sink does not comply with ASME A112.19.3.

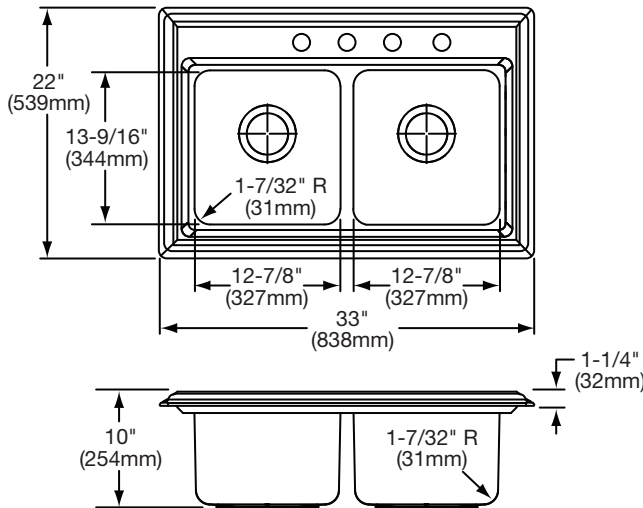
### SINK DIMENSIONS\*

Model Number	Overall		Inside Each Bowl			Cutout in Countertop [1 1/2" (38mm) Corner Radius]		No. of 1 1/2" (38mm) Dia. Faucet Holes 4" (102mm) Center	Minimum Cabinet Size
	L	W	L	W	D	L	W		
ECTC332210	33 (838mm)	22 (559mm)	12 7/8 (327mm)	13 9/16 (344mm)	10 (254mm)	32 3/8 (822mm)	21 3/8 (543mm)	1,2,MR2,3,4,5	36 (914mm)

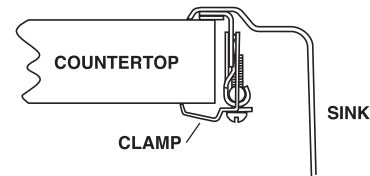
\*Length is left to right. Width is front to back.



Model ECTC3322104



### Installation Profile



In keeping with our policy of continuing product improvement, Elkay reserves the right to change product specifications without notice. Please visit [elkayusa.com](http://elkayusa.com) for most current version of Elkay product specification sheets.

This specification describes an Elkay product with design, quality and functional benefits to the user. When making a comparison of other producers' offerings, be certain these features are not overlooked.

**Elkay**

[elkayusa.com](http://elkayusa.com)

2222 Camden Court  
Oak Brook, IL 60523

Printed in U.S.A.  
©2008 Elkay

(Rev. 6/08) 1-306A

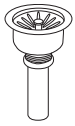
**Echo Double Bowl Sink  
Model ECTC332210 Series**

**ELKAY®  
SPECIFICATIONS**

**OPTIONAL ACCESSORIES\***

Model Number	Description	Overall			Material
		L	W	Depth/Thickness	
LK99	Drain	Fits 3 1/2" (89mm) Drain Opening		Stainless Steel	
LKEOBG1315SS	Bottom Grid	11 5/8 (295mm)	12 3/8 (314mm)	1 1/4 (32mm)	Stainless Steel
LKERB1315SS	Rinsing Basket	11 5/8 (295mm)	12 3/8 (314mm)	7 (178mm)	Stainless Steel
LKWUCSS	Utensil Caddy for rinsing basket	15 1/8 (384mm)	3 1/2 (89mm)	4 3/8 (111mm)	Stainless Steel
LKCB1315HW	Cutting Board	14 (356mm)	14 5/8 (371mm)	1 (25mm)	Hardwood

\*Length is left to right. Width is front to back.



LK99



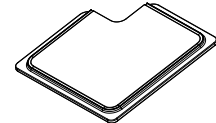
LKEOBG1315SS



LKERB1315SS

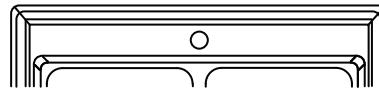


LKWUCSS

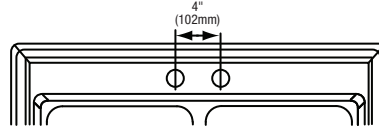


LKCB1315HW

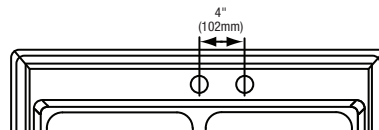
**HOLE DRILLING CONFIGURATIONS**



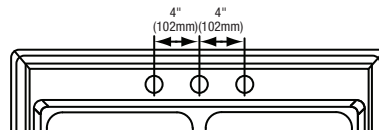
1



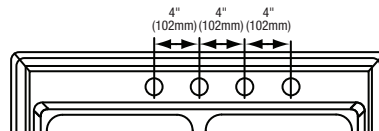
2



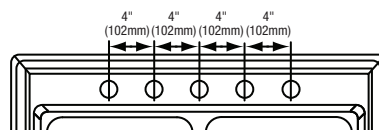
MR2



3



4



5