

ELKAY[®]

SPECIFICATIONS

Pursuit™ Outdoor Undermount Sinks Models PODUH Series

GENERAL

Highest quality sink formed of #18 gauge, type 316 nickel bearing stainless steel and corrosion resistant mounting brackets. Undermount.

DESIGN FEATURES

Bowl Depth: 10" (PODUH141810); 7-7/8" (PODUH3118); 6" (PODUH2421L/R).

Coved Corners: 1-3/4" vertical and horizontal radius.

Finish: Exposed surfaces are hand blended to a lustrous high-lighted satin finish.

Underside: Fully protected by heavy duty enhanced Sound Guard[®] undercoating to dampen sound and prevent condensation.

Model PODUH2421L includes CBP1319L cutting board and model PODUH2421R includes CBP1319R cutting board.

OTHER

Drain Opening: 3-1/2".

Recommended Drain: LK335, LK372.

Suffix L (left) or R (right) denotes location of the small bowl.

NOTE: All Elkay undermount sinks are designed to affix to the underside of any solid surface countertop.

Installation: See illustrated profile below.

These sinks comply with ASME A112.19.3.

SINK DIMENSIONS (INCHES)*

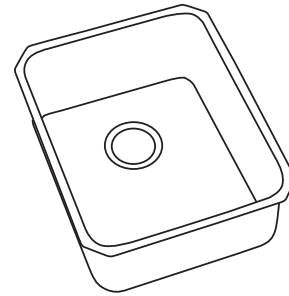
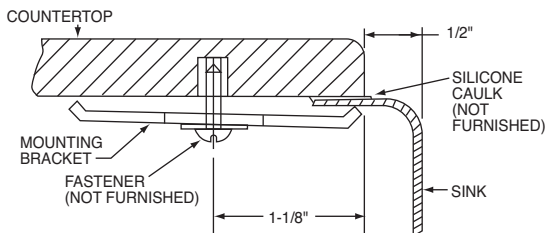
Model Number	Overall		Inside Bowl			Cutout in Countertop	Minimum Cabinet Size			
	L	W	L	W	D					
PODUH141810	16 ¹ / ₂	20 ¹ / ₂	14	18	10	See Template**	21			
PODUH3118	30 ³ / ₄	18 ¹ / ₂	13 ¹ / ₂	16	7 ⁷ / ₈		36			
Model Number	Overall		Integral Ribbed Area			Disposer Bowl			Cutout in Countertop	Minimum Cabinet Size
	L	W	L	W	D	L	W	D		
PODUH2421L	24 ¹ / ₄	20 ¹ / ₂	12 ⁷ / ₈	18	2 ⁵ / ₁₆	7 ¹ / ₂	12 ⁷ / ₈	6	See Template**	30
PODUH2421R	24 ¹ / ₄	20 ¹ / ₂	12 ⁷ / ₈	18	2 ⁵ / ₁₆	7 ¹ / ₂	12 ⁷ / ₈	6		30

*Length is left to right. Width is front to back.

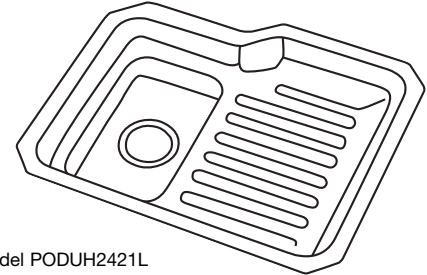
**Template and countertop mounting brackets are packed with every sink.

Installation Profile

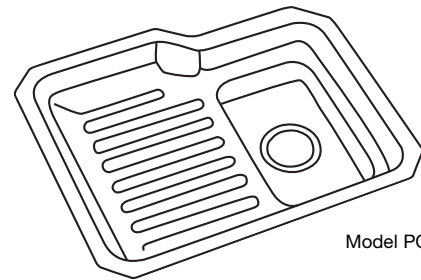
The template provided with each PODUH sink provides the only type of installation recommended by Elkay.



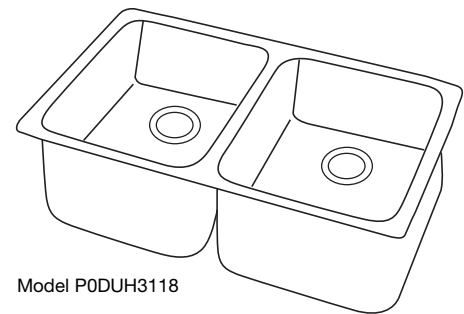
Model PODUH141810



Model PODUH2421L



Model PODUH2421R



Model PODUH3118

SEE OTHER SIDE FOR PRODUCT DIMENSIONS.

ALL DIMENSIONS IN INCHES, TO CONVERT TO MILLIMETERS MULTIPLY BY 25.4.

In keeping with our policy of continuing product improvement, Elkay reserves the right to change product specifications without notice.

This specification describes an Elkay product with design, quality and functional benefits to the user. When making a comparison of other producers' offerings, be certain these features are not overlooked.

Elkay

elkayusa.com

2222 Camden Court
Oak Brook, IL 60523

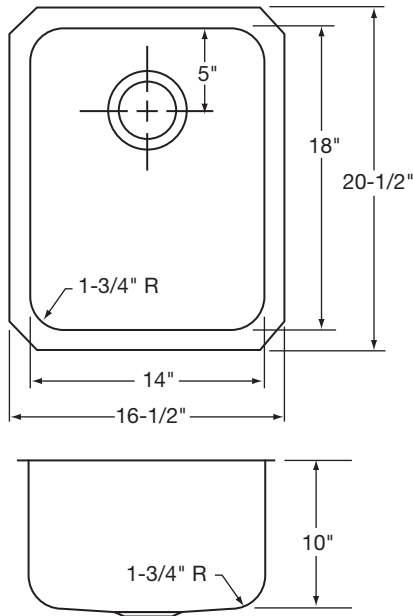
Printed in U.S.A.
©2007 Elkay

(12/07)

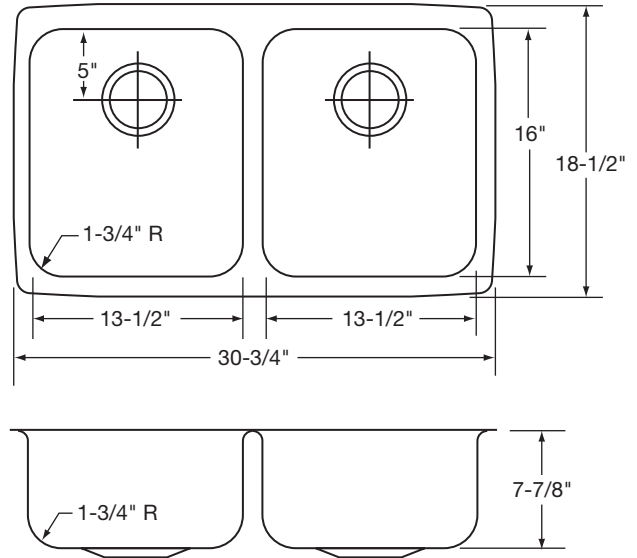
1-293

Pursuit™ Outdoor Undermount Sinks
Models PODUH Series

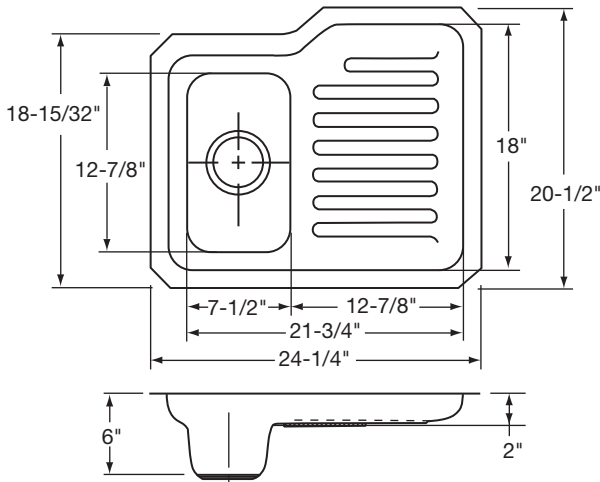
ELKAY®
SPECIFICATIONS



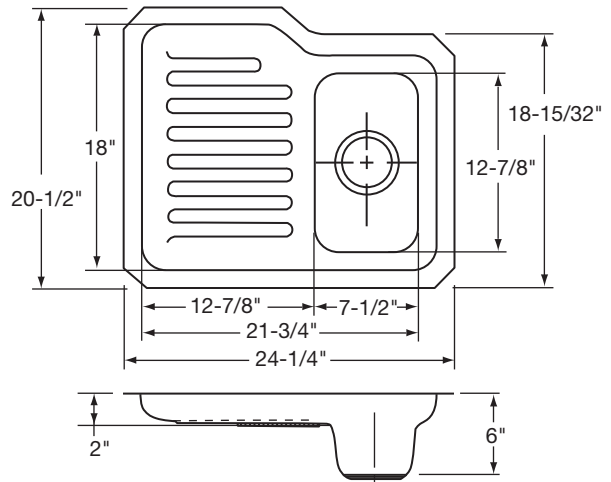
Model PODUH141810 Illustrated



Model PODUH3118 Illustrated



Model PODUH2421L Illustrated



Model PODUH2421R Illustrated