

ELKAY® SPECIFICATIONS

Pursuit™ Laundry/Utility Top Mount Sinks Models PLA Series

GENERAL

Highest quality sink formed of #18 gauge, type 316 nickel bearing stainless steel. Top mount.

DESIGN FEATURES

Bowl Depth: 10-1/8" (PLA191910, PLA332210) or 12-1/8" (PLA222212, PLA252212).

Coved Corners: 1-3/4" vertical and horizontal radius.

Bowl and Faucet Deck Recess: 3/16" below outside edge of sink.

Finish: Exposed surfaces are hand blended to a lustrous high-lighted satin finish.

Underside: Fully protected by heavy duty enhanced Sound Guard® undercoating to dampen sound and prevent condensation.

OTHER

Drain Opening: 3-1/2".

Recommended Drain: LK335, LK372.

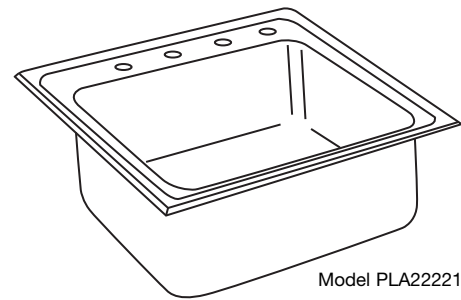
NOTE: Unless otherwise specified, sink PLA191910 is furnished with 3 faucet holes, all others are furnished with 4 faucet holes as shown.

These sinks comply with ASME A112.19.3.

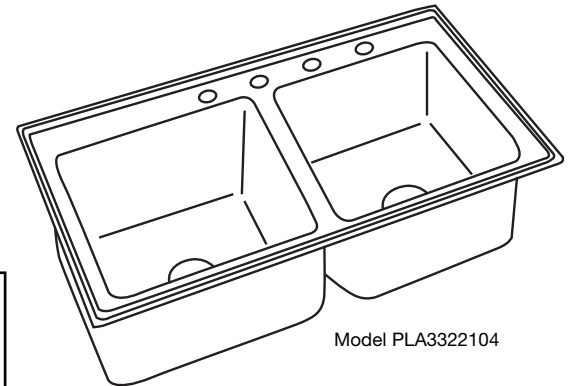
SINK DIMENSIONS (INCHES)*

Model Number	Number of Bowls	Overall		Inside Each Bowl			Cutout in Countertop (1 1/2" Radius Corners)		No. of 1 1/2" Dia. Faucet Holes 4" Center	Minimum Cabinet Size
		L	W	L	W	D	L	W		
PLA191910	1	19 1/2	19	16	13 1/2	10 1/8	18 7/8	18 3/8	1, 2, MR2, 3, OS4	24
PLA222212	1	22	22	19	16	12 1/8	21 3/8	21 3/8	1, 2, MR2, 3, 4, 5	27
PLA252212	1	25	22	21	15 3/4	12 1/8	24 3/8	21 3/8	1, 2, MR2, 3, 4, 5	30
PLA332210	2	33	22	13 1/2	16	10 1/8	32 3/8	21 3/8	1, 2, MR2, 3, 4, 5	36

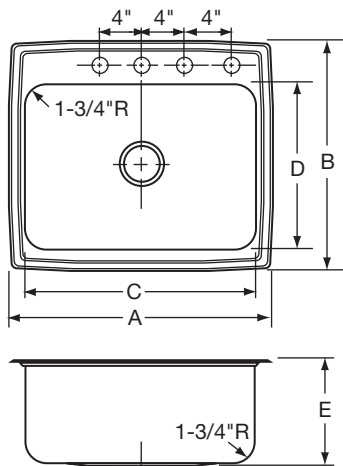
*Length is left to right. Width is front to back.



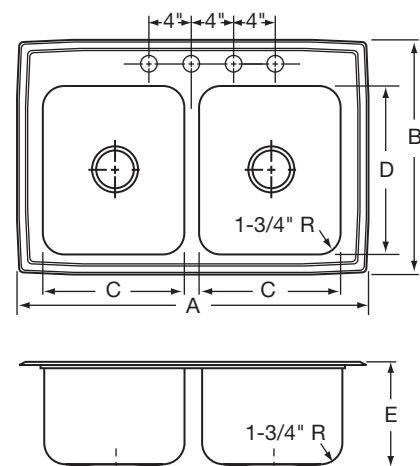
Model PLA2222124



Model PLA3322104



Model PLA2522124 Illustrated



Model PLA3322104 Illustrated

ALL DIMENSIONS IN INCHES, TO CONVERT TO MILLIMETERS MULTIPLY BY 25.4.

In keeping with our policy of continuing product improvement, Elkay reserves the right to change product specifications without notice.

This specification describes an Elkay product with design, quality and functional benefits to the user. When making a comparison of other producers' offerings, be certain these features are not overlooked.

Elkay

elkayusa.com

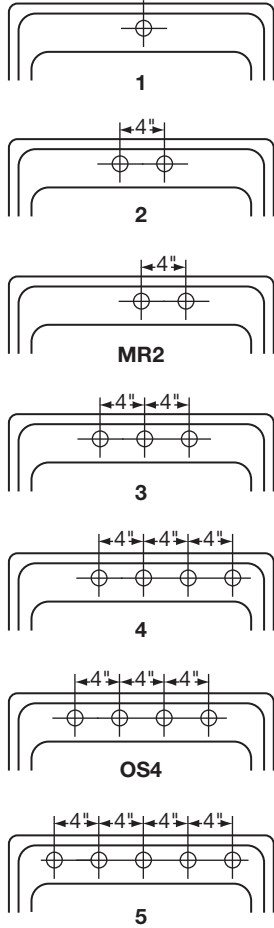
2222 Camden Court
Oak Brook, IL 60523

Printed in U.S.A.
©2007 Elkay

(12/07)

1-289

**SINGLE BOWL
HOLE DRILLING
CONFIGURATIONS**



**DOUBLE BOWL
HOLE DRILLING
CONFIGURATIONS**

