

ELKAY® SPECIFICATIONS

Gourmet E-Granite Double Bowl Undermount Sink Models ELGU250R Series

GENERAL

Molded with up to 85% natural quartz and high performance acrylic resins. E-Granite is non-porous and resists staining. E-Granite is hard enough to resist scratches and chips, is naturally sound deadened, and heat resistant. The color is solid throughout the sink and is UV resistant to prevent color-fading in indoor applications. Undermount.

DESIGN FEATURES

Bowl Depth: 9-1/2" (241mm).

Rim Height: 3/8" (10mm).

Color Options with natural accents: Black (BK), Bisque (BQ), Dusk Gray (GY), Mocha (MC), or White (WH).

OTHER

Drain Opening: 3-1/2" (89mm).

Note: All Elkay undermount sinks are designed to affix to the underside of any solid surface countertop.

Sink complies with ASME A112.19.3/ CSA B45.4



Sinks are listed by IAPMO® as meeting the applicable requirements of the Uniform Plumbing Code®, International Plumbing Code®, and National Plumbing Code of Canada.

OPTIONAL ACCESSORIES

Bottom Grid: LKWOBG1516SS (small bowl),

LKWOBG1518SS (large bowl)

Cutting Boards: LKCBEG1516HW (small bowl),

LKCBEG1518HW (large bowl)

Drains: LKD35, LKS35

Rinsing Basket: LKW RB1516SS (small bowl),

LKW RB151SS (large bowl)

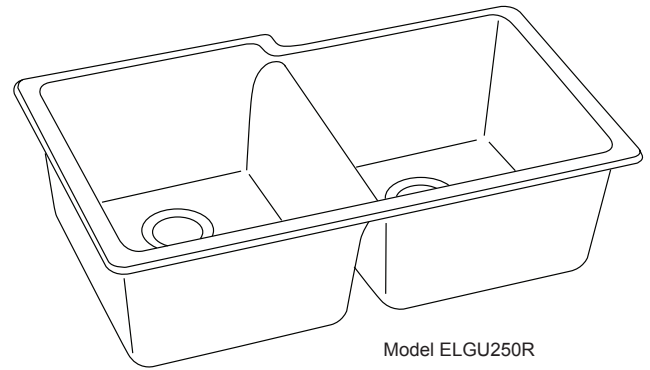
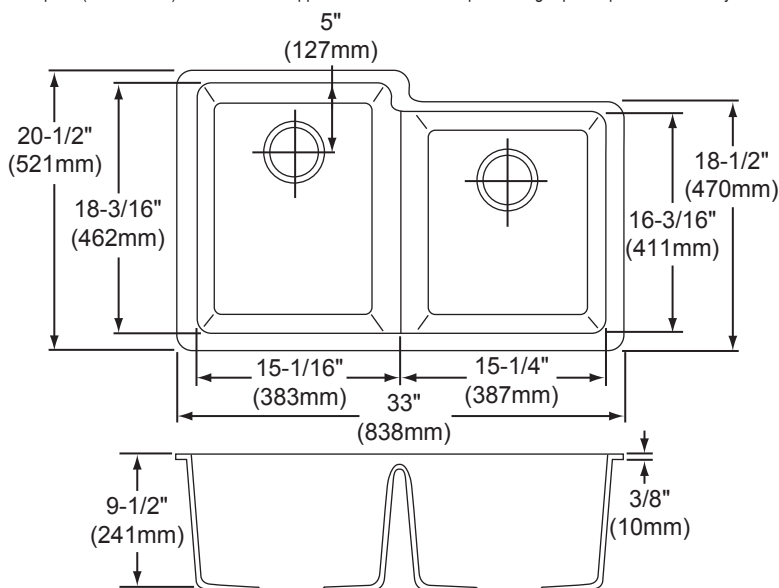
Utensil Caddy for Rinsing Basket: LKWUCSS

SINK DIMENSIONS*

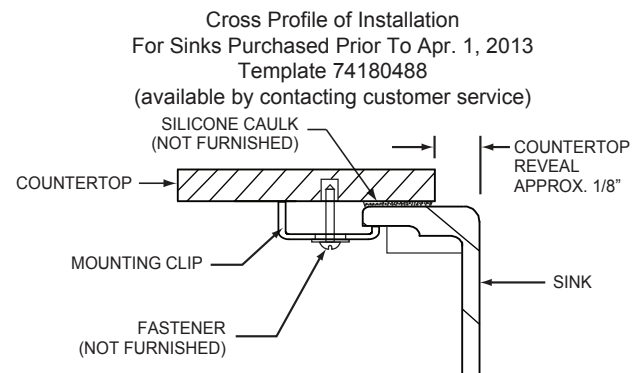
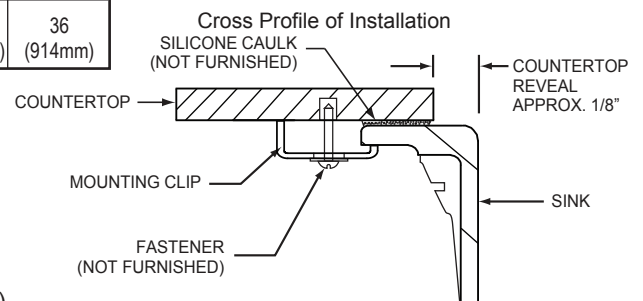
Model Number	Overall		Inside Left Bowl			Inside Right Bowl			Minimum Cabinet Size
	L	W	L	W	D	L	W	D	
ELGU250R	33 (838mm)	20 (521mm)	15-1/16 (383mm)	18-3/16 (460mm)	9-1/2 (241mm)	15-1/4 (387mm)	16-3/16 (411mm)	9-1/2 (241mm)	36 (914mm)

*Length is left to right. Width is front to back.

**Template (0000001436) for undermount applications and countertop mounting clips are packed with every sink.



Model ELGU250R



In keeping with our policy of continuing product improvement, Elkay reserves the right to change product specifications without notice. Please visit elkayusa.com for most current version of Elkay product specification sheets.

This specification describes an Elkay product with design, quality, and functional benefits to the user. When making a comparison of other producers' offerings, be certain these features are not overlooked.