

ELKAY® SPECIFICATIONS

Gourmet® Undermount Apron Sink Model ECUF3319ACH

GENERAL

Highest quality sink hand fabricated from #16 gauge genuine, uncoated copper that will continue to age and tarnish naturally. Sink features unique curved front apron.

DESIGN FEATURES

Bowl Depth: 10".

Apron Height: 10-1/2".

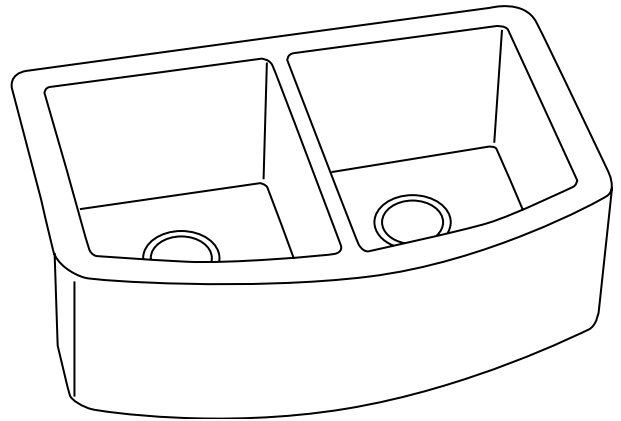
Finish: Antique Hammered Copper.

Underside: Sound absorbing pads applied to dampen sound.

OTHER

Drain Opening: 3-1/2".

Installation: Requires professional installation. Use actual sink as template to determine cut-out opening. All Elkay undermount sinks are designed to affix to the underside of any solid surface countertop.



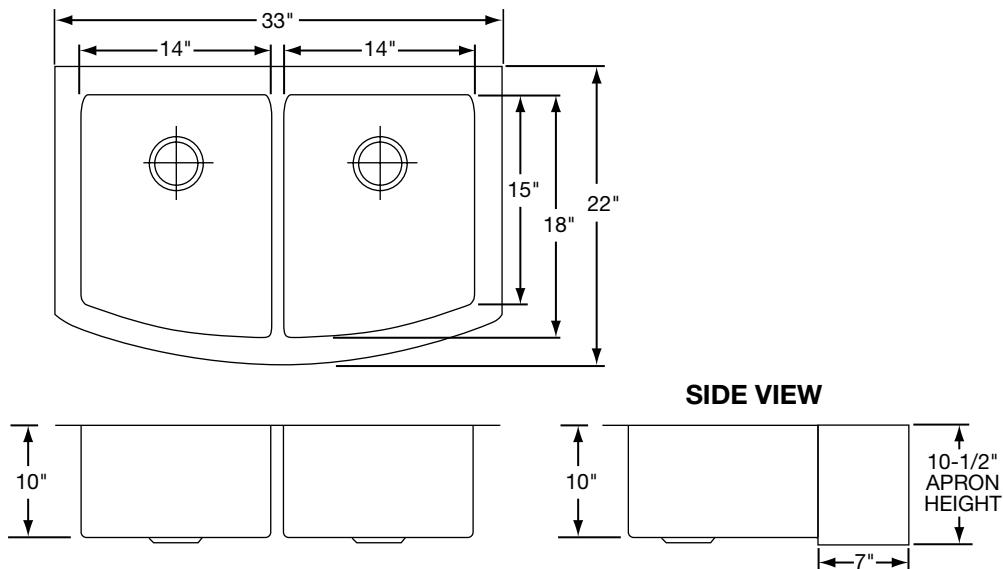
Model ECUF3319ACH

SINK DIMENSIONS (INCHES)*

Model Number	Overall		Inside Left Bowl			Inside Right Bowl			Cutout in Countertop	Minimum Cabinet Size
	L	W	L	W	D	L	W	D		
ECUF3319ACH	33	22	14	18	10	14	18	10	Use sink as template	†

*Length is left to right. Width is front to back. Due to the handcrafted nature of this sink, the dimensions are approximate and may vary.

†Due to the size and installation method, a custom cabinet is required. Recommend that installation be accomplished by an experienced and professional installer only.



ALL DIMENSIONS IN INCHES, TO CONVERT TO MILLIMETERS MULTIPLY BY 25.4.

In keeping with our policy of continuing product improvement, Elkay reserves the right to change product specifications without notice.

This specification describes an Elkay product with design, quality and functional benefits to the user. When making a comparison of other producers' offerings, be certain these features are not overlooked.