

ELKAY[®]

SPECIFICATIONS

The Mystic[®] by Elkay Undermount Sink Model ECU16FBACH

GENERAL

Highest quality hospitality sink hand fabricated from #16 gauge genuine, uncoated copper that will continue to age and tarnish naturally.

DESIGN FEATURES

Bowl Depth: 8".

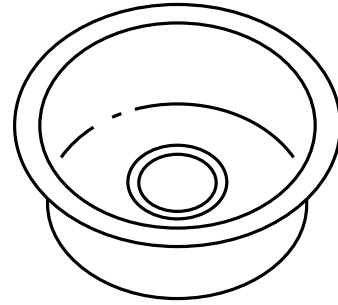
Finish: Antique Hammered Copper.

Underside: Sound absorbing pads applied to dampen sound.

OTHER

Drain Opening: 3-1/2".

Installation: Requires professional installation. Use actual sink as template to determine cut-out opening. All Elkay undermount sinks are designed to affix to the underside of any solid surface countertop.

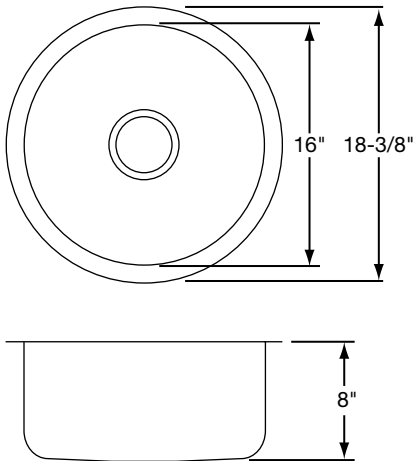


Model ECU16FBACH

SINK DIMENSIONS (INCHES)*

Model Number	Outside Diameter	Inside Diameter	Depth	Cutout in Countertop	Minimum Cabinet Size
ECU16FBACH	18 ³ / ₈	16	8	Use sink as template	24

*Due to the handcrafted nature of this sink, the dimensions are approximate and may vary.



ALL DIMENSIONS IN INCHES, TO CONVERT TO MILLIMETERS MULTIPLY BY 25.4.

In keeping with our policy of continuing product improvement, Elkay reserves the right to change product specifications without notice.

This specification describes an Elkay product with design, quality and functional benefits to the user. When making a comparison of other producers' offerings, be certain these features are not overlooked.