

ELKAY[®]

SPECIFICATIONS

Harmony™ Triple Bowl Sink Model ECGR402210

GENERAL

Fine quality sink formed of #18 gauge, type 304 nickel bearing stainless steel. Top mount.

DESIGN FEATURES

Bowl Depth: 10-1/8" (left bowl), 7-5/8" (right bowl), 5-11/16" (center bowl).

Finish: Exposed surfaces are polished to a soft satin finish.

Bowl and Faucet Deck Recess: 3/8" below outside edge of sink.

Underside: Fully protected by heavy duty Sound Guard[®] undercoating to dampen sound and prevent condensation.

Aqueduct: Recessed partition allows water to flow to adjacent bowl before overflowing sink.

OTHER

Drain Opening: 3-1/2".

NOTE: Unless otherwise specified sink is furnished with 4 faucet holes as shown.

This sink complies with ASME A112.19.3.



This sink is listed by the International Association of Plumbing and Mechanical Officials as meeting the requirements of the Uniform Plumbing Code.

OPTIONAL ACCESSORIES

Rinsing Baskets: LKWRB1115SS (right bowl), LWRB715SS (center bowl), LWRB1617SS (left bowl), LKWERBSS (left bowl).

Utensil Caddy for Rinsing Basket: LKWUCSS.

Bottom Grids: LKWOBG1115SS (right bowl), LKWOBG1617SS (left bowl).

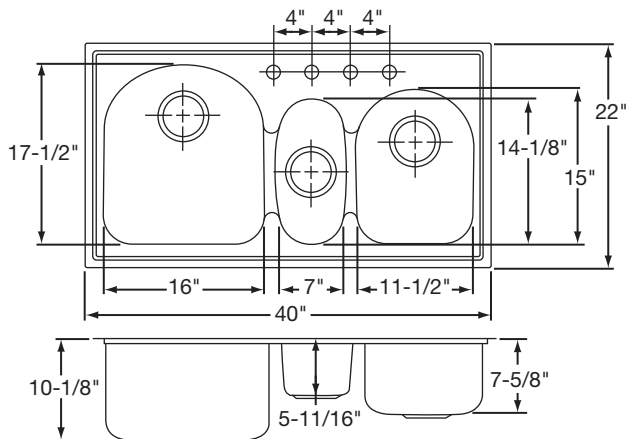
Cutting Board: CB1713 (left bowl).

Colander: SC1407 (center bowl).

SINK DIMENSIONS (INCHES)*

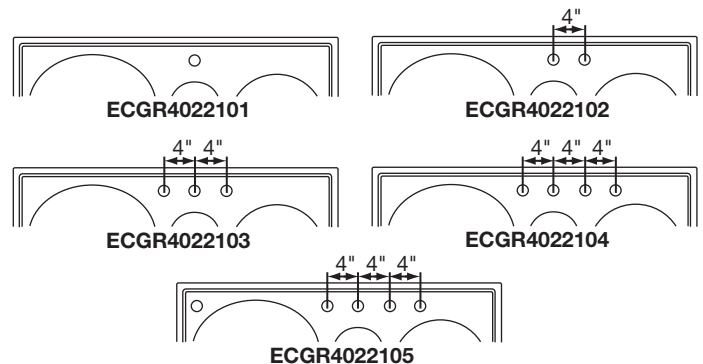
Model Number	Overall		Inside Left Bowl			Inside Center Bowl			Inside Right Bowl			Cutout in Countertop (1 1/2" Radius Corners)		No of 1 1/2" Dia. Faucet Holes	Minimum Cabinet Size
	L	W	L	W	D	L	W	D	L	W	D	L	W		
ECGR402210	40	22	16	17 1/2	10 1/8	7	14 1/8	5 11/16	11 1/2	15	7 5/8	39 3/8	21 3/8	1, 2, 3, 4, 5	45

*Length is left to right. Width is front to back.



Model ECGR4022104 Illustrated

HOLE DRILLING CONFIGURATIONS



ALL DIMENSIONS IN INCHES, TO CONVERT TO MILLIMETERS MULTIPLY BY 25.4.

In keeping with our policy of continuing product improvement, Elkay reserves the right to change product specifications without notice.

This specification describes an Elkay product with design, quality and functional benefits to the user. When making a comparison of other producers' offerings, be certain these features are not overlooked.