

ELKAY[®]

SPECIFICATIONS

Harmony[®] Undermount Double Bowl Sink Models EGUH3621 and EGUH362110 Series

GENERAL

Fine quality sink formed of #18 (1.2mm) gauge, type 304 nickel bearing stainless steel. Undermount.

DESIGN FEATURES

Bowl Depth: EGUH3621L/R - 8" (203mm) (large bowl), 5-15/16" (405mm) (small bowl); EGUH362110L/R - 10" (254mm) (large bowl), 5-15/16" (405mm) (small bowl).

Finish: Exposed surfaces are polished to a Soft Highlighted Satin finish.

Underside: Fully protected by heavy duty Sound Guard[®] undercoating to dampen sound and reduce condensation.

Aqueduct (recessed partition) allows water to flow to adjacent bowl before overflowing sink.

OTHER

Drain Opening: 3-1/2" (89mm).

Suffix L (left) or R (right) denotes location of the small bowl.

Note: All Elkay undermount sinks are designed to affix to the underside of any solid surface countertop.

Sink complies with ASME A112.19.3-2008 / CSA B45.4-08



These sinks are listed by the International Association of Plumbing and Mechanical Officials as meeting the requirements of the Uniform Plumbing Code.

OPTIONAL ACCESSORIES

Bottom Grids: LKWOBG1113SS (small bowl), LKWOBG2118SS (large bowl).

Colander: LC1412 (small bowl).

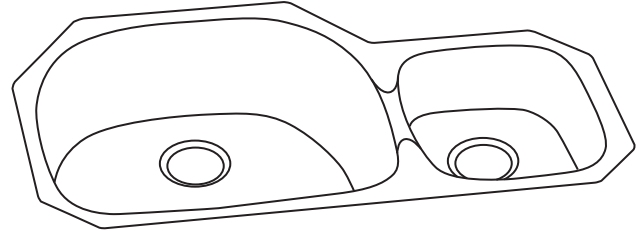
Cutting Board: CB2213 (large bowl).

Drain: LK99

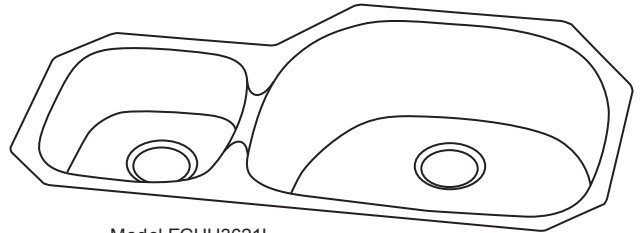
Mounting Clip: LKUCLIP8 (2 packages required)

Rinsing Baskets: LKWWRB1113SS (small bowl), LKWWRB2118SS (large bowl), LKWWRBSS (large bowl).

Utensil Caddy for Rinsing Basket: LKWUCSS.



Model EGUH3621R



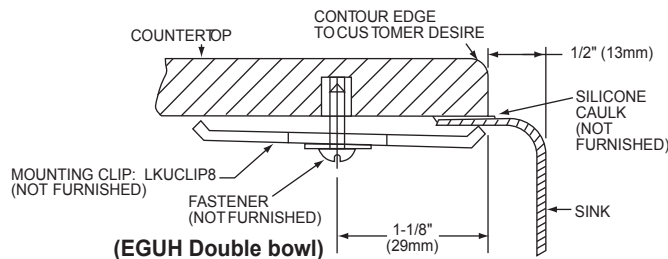
Model EGUH3621L

SINK PACKAGE(S)

MODEL	SINK	BOTTOM GRID	QTY	DRAIN	QTY
EGUH3621LDBG	EGUH3621L	LKWOBG2118SS	1	LK99	1
EGUH3621RDBG	EGUH3621R	LKWOBG2118SS	1	LK99	1
EGUH362110LDBG	EGUH362110L	LKWOBG2118SS	1	LK99	1
EGUH362110RDBG	EGUH362110R	LKWOBG2118SS	1	LK99	1

Installation Profile of EGUH Double Bowl Models

The template provided with each EGUH sink provides the only type of installation recommended by Elkay



SEE OTHER SIDE FOR PRODUCT DIMENSIONS.

In keeping with our policy of continuing product improvement, Elkay reserves the right to change product specifications without notice. Please visit elkayusa.com for most current version of Elkay product specification sheets.

This specification describes an Elkay product with design, quality, and functional benefits to the user. When making a comparison of others producers offerings, be certain these features are not overlooked.

Elkay

elkayusa.com

2222 Camden Court
Oak Brook, IL 60523

Printed in U.S.A.
©2010 Elkay

(Rev. 01/10)

1-247C

Harmony® Undermount Double Bowl Sink Models EGUH3621 and EGUH362110 Series

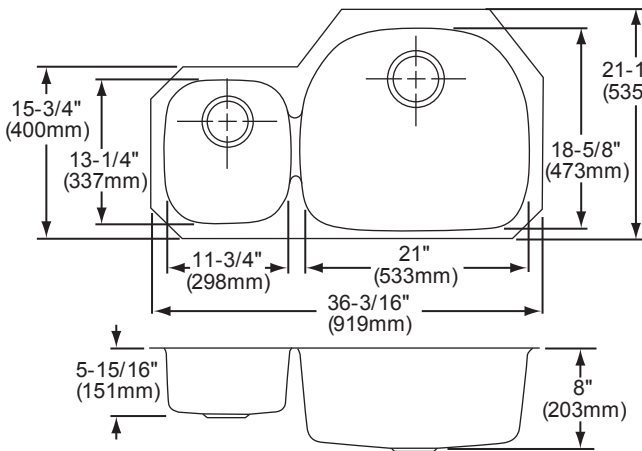
ELKAY® SPECIFICATIONS

SINK DIMENSIONS*

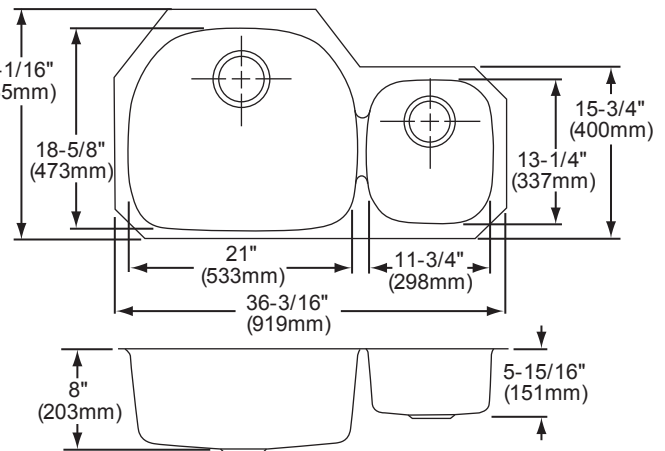
Model Number	Overall		Inside Left Bowl			Inside Right Bowl			Cutout in Countertop	Minimum Cabinet Size
	L	W	L	W	D	L	W	D		
EGUH3621L	36 ³ / ₁₆ (919mm)	21 ¹ / ₁₆ (535mm)	11 ³ / ₄ (298mm)	13 ¹ / ₄ (337mm)	5 ¹⁵ / ₁₆ (151mm)	21 (533mm)	18 ⁵ / ₈ (473mm)	8 (203mm)	See Template**	42 (1067mm)
EGUH362110L	36 ³ / ₁₆ (919mm)	21 ¹ / ₁₆ (535mm)	11 ³ / ₄ (298mm)	13 ¹ / ₄ (337mm)	5 ¹⁵ / ₁₆ (151mm)	21 (533mm)	18 ⁵ / ₈ (473mm)	10 (254mm)		42 (1067mm)
EGUH3621R	36 ³ / ₁₆ (919mm)	21 ¹ / ₁₆ (535mm)	21 (533mm)	18 ⁵ / ₈ (473mm)	8 (203mm)	11 ³ / ₄ (298mm)	13 ¹ / ₄ (337mm)	5 ¹⁵ / ₁₆ (151mm)		42 (1067mm)
EGUH362110R	36 ³ / ₁₆ (919mm)	21 ¹ / ₁₆ (535mm)	21 (533mm)	18 ⁵ / ₈ (473mm)	10 (254mm)	11 ³ / ₄ (298mm)	13 ¹ / ₄ (337mm)	5 ¹⁵ / ₁₆ (151mm)		42 (1067mm)

*Length is left to right. Width is front to back.

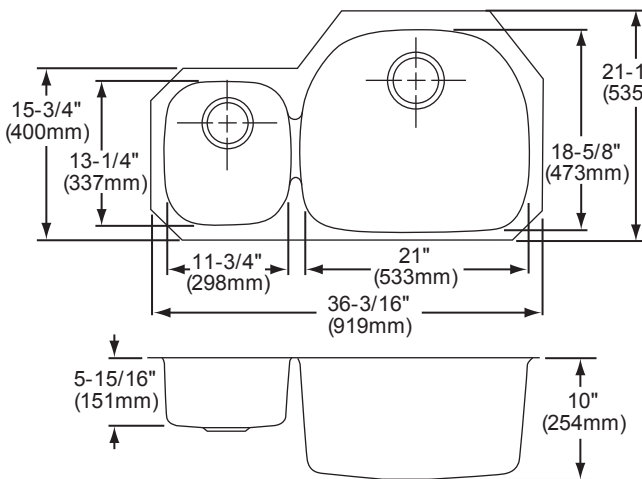
**Template is packed with every sink.



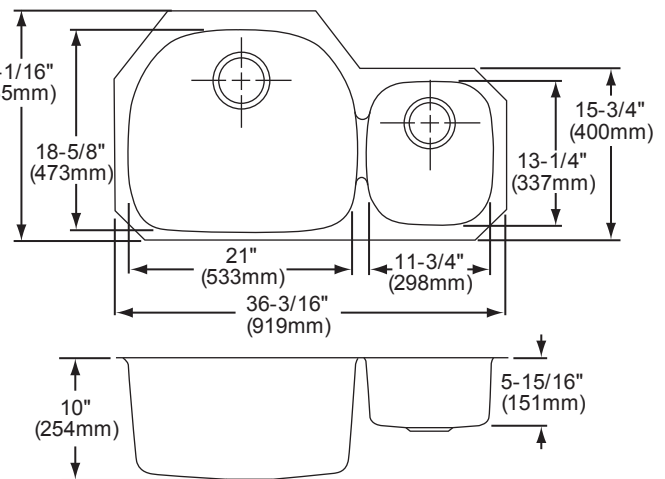
Model EGUH3621L Illustrated



Model EGUH3621R Illustrated



Model EGUH362110L Illustrated



Model EGUH362110R Illustrated