

ELKAY® SPECIFICATIONS

Harmony® Undermount Double Bowl Sink Models EGUH3221 and EGUH322110 Series

GENERAL

Fine quality sink formed of #18 (1.2mm) gauge, type 304 nickel bearing stainless steel. Undermount.

DESIGN FEATURES

Bowl Depth: EGUH3221L/R - 8" (203mm) (large bowl), 6-1/16" (154mm) (small bowl); EGUH322110L/R - 10" (254mm) (large bowl), 6-1/16" (154mm) (small bowl).

Finish: Exposed surfaces are polished to a Soft Highlighted Satin finish.

Underside: Fully protected by heavy duty Sound Guard® undercoating to dampen sound and reduce condensation.

Aqueduct (recessed partition) allows water to flow to adjacent bowl before overflowing sink.

OTHER

Drain Opening: 3-1/2" (89mm).

Suffix L (left) or R (right) denotes location of the small bowl.

Note: All Elkay undermount sinks are designed to affix to the underside of any solid surface countertop.

Sink complies with ASME A112.19.3-2008 / CSA B45.4-08



These sinks are listed by the International Association of Plumbing and Mechanical Officials as meeting the requirements of the Uniform Plumbing Code.

OPTIONAL ACCESSORIES

Bottom Grid: LKWOBG2118SS (large bowl)

Cutting Board: CB2213 (large bowl)

Colander: SC1407 (small bowl)

Drain: LK99

Mounting Clip: LKUCLIP8 (2 packages required)

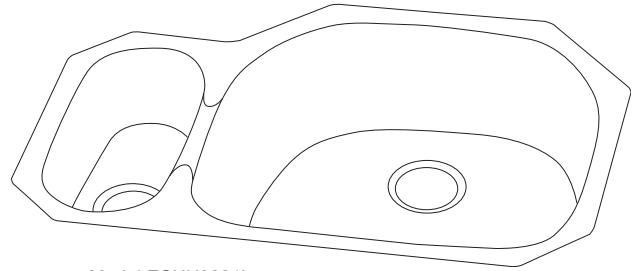
Rinsing Baskets: LKWRB715SS (small bowl), LKWRB2118SS

(large bowl), LKWERBSS (large bowl)

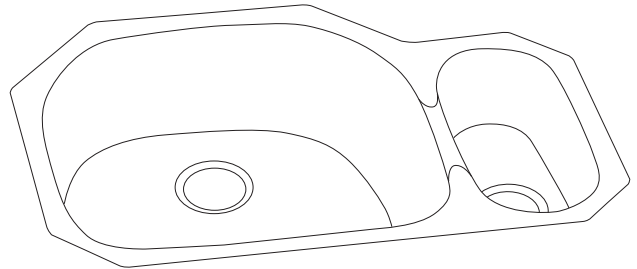
Utensil Caddy for Rinsing Basket: LKWUCSS

SINK PACKAGE(S)

MODEL	SINK	BOTTOM GRID	QTY	DRAIN	QTY
EGUH3221LDBG	EGUH3221L	LKWOBG2118SS	1	LK99	1
EGUH3221RDBG	EGUH3221R	LKWOBG2118SS	1	LK99	1
EGUH322110LDBG	EGUH322110L	LKWOBG2118SS	1	LK99	1
EGUH322110RDBG	EGUH322110R	LKWOBG2118SS	1	LK99	1



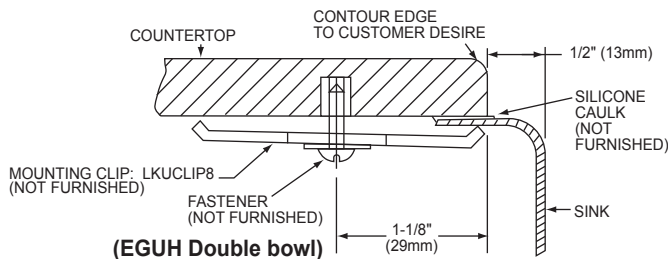
Model EGUH3221L



Model EGUH3221R

Installation Profile of EGUH Double Bowl Models

The template provided with each EGUH sink provides the only type of installation recommended by Elkay.



SEE OTHER SIDE FOR PRODUCT DIMENSIONS.

In keeping with our policy of continuing product improvement, Elkay reserves the right to change product specifications without notice. Please visit elkayusa.com for most current version of Elkay product specification sheets.

This specification describes an Elkay product with design, quality and functional benefits to the user. When making a comparison of other producers' offerings, be certain these features are not overlooked.

Elkay

elkayusa.com

2222 Camden Court
Oak Brook, IL 60523

Printed in U.S.A.
©2010 Elkay

(Rev. 01/10)

1-246B

Harmony® Undermount Double Bowl Sink
Models EGUH3221 and EGUH322110 Series

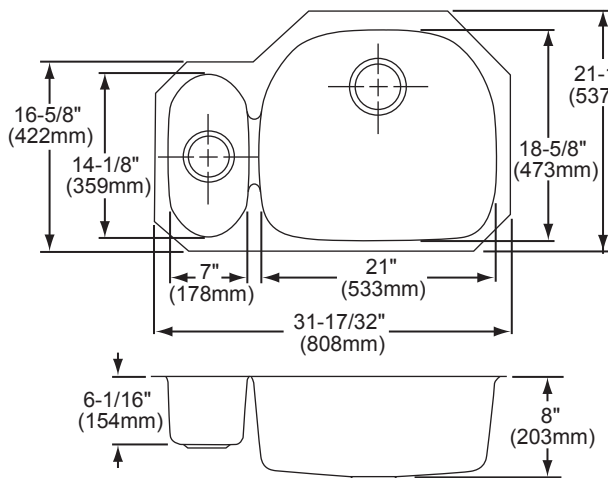
ELKAY®
SPECIFICATIONS

SINK DIMENSIONS*

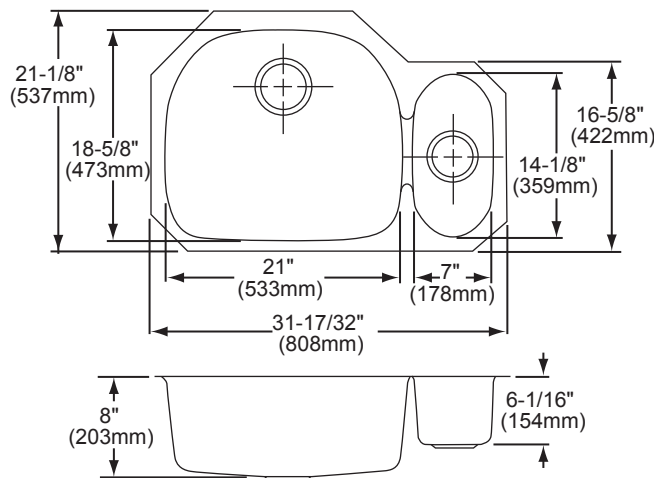
Model Number	Overall		Inside Left Bowl			Inside Right Bowl			Cutout in Countertop	Minimum Cabinet Size
	L	W	L	W	D	L	W	D		
EGUH33221L	31 ¹⁷ / ₃₂ " (808mm)	21 ¹ / ₈ " (537mm)	7 (178mm)	14 ¹ / ₈ " (359mm)	6 ¹ / ₁₆ " (154mm)	21 (533mm)	18 ⁵ / ₈ " (473mm)	8 (203mm)	See Template**	36 (914mm)
EGUH322110L	31 ¹⁷ / ₃₂ " (808mm)	21 ¹ / ₈ " (537mm)	7 (178mm)	14 ¹ / ₈ " (359mm)	6 ¹ / ₁₆ " (154mm)	21 (533mm)	18 ⁵ / ₈ " (473mm)	10 (254mm)		36 (914mm)
EGUH3221R	31 ¹⁷ / ₃₂ " (808mm)	21 ¹ / ₈ " (537mm)	21 (533mm)	18 ⁵ / ₈ " (473mm)	8 (203mm)	7 (178mm)	14 ¹ / ₈ " (359mm)	6 ¹ / ₁₆ " (154mm)		36 (914mm)
EGUH322110R	31 ¹⁷ / ₃₂ " (808mm)	21 ¹ / ₈ " (537mm)	21 (533mm)	18 ⁵ / ₈ " (473mm)	10 (254mm)	7 (178mm)	14 ¹ / ₈ " (359mm)	6 ¹ / ₁₆ " (154mm)		36 (914mm)

*Length is left to right. Width is front to back.

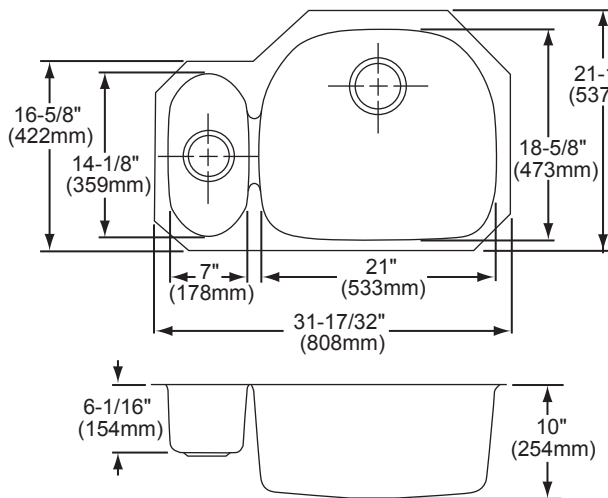
**Template is packed with every sink.



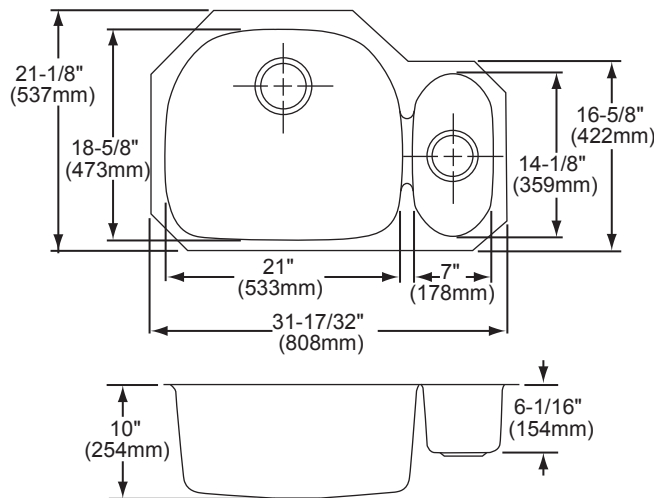
Model EGUH3221L Illustrated



Model EGUH3221R Illustrated



Model EGUH322110L Illustrated



Model EGUH322110R Illustrated