

ELKAY[®]

SPECIFICATIONS

Asana™ Collection Lavatory Cast Vessel Sink Model ECB19BWBA

GENERAL

Lavatory vessel sink is cast from brass material. Outside has a unique basket weave pattern. Vessel rests on countertop.

DESIGN FEATURES

Bowl Depth: 5-1/2".

Height above countertop: 6".

Finish: Outside has a basket weave texture. Bronze aged finish. Ledge is polished to a bright finish. Each original, hand crafted, cast brass sink is unique in texture, color and finish. Surface features such as pits, pockets and depressions, veining and flow strata and varying color are part of the hand crafting process and essential to the unique individuality that each vessel expresses. Cast brass sinks have a living finish that will develop a natural and desired patina over time and use. See Use and Care Guide for cleaning instructions.

OTHER

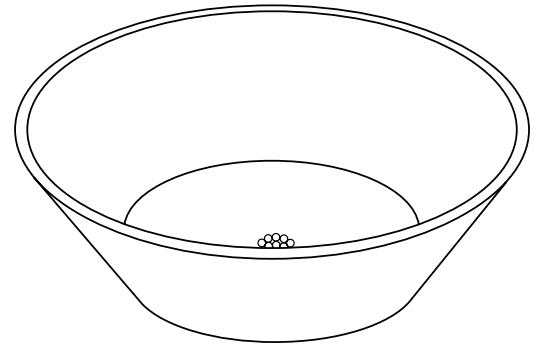
Integral drain has female threading for standard 1-1/4" tailpiece. Installation: Rests on the countertop.

See illustrated profile below. Product does not have an overflow. Observe all local installation codes.

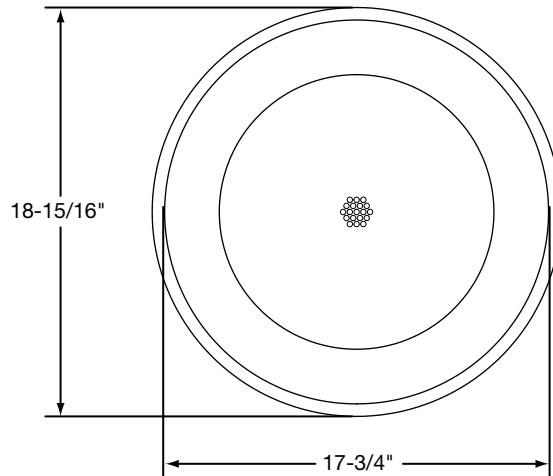
SINK DIMENSIONS (INCHES)

Model Number	Overall Diameter	Inside Diameter	Depth	Cutout in Countertop	Minimum Cabinet Size
ECB19BWBA	18 ¹⁵ / ₁₆ " Dia.	17 ³ / ₄ " Dia.	5 ¹ / ₂ "	See Template*	21"

*Template and mounting hardware are packed with every sink.

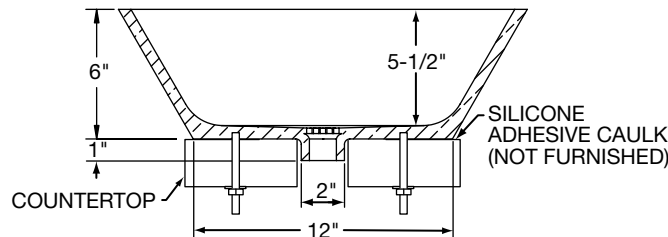


Model ECB19BWBA



Installation Profile of Model ECB19BWBA

This is the only type of installation recommended by Elkay.



ALL DIMENSIONS IN INCHES, TO CONVERT TO MILLIMETERS MULTIPLY BY 25.4.

In keeping with our policy of continuing product improvement, Elkay reserves the right to change product specifications without notice.

This specification describes an Elkay product with design, quality and functional benefits to the user. When making a comparison of other producers' offerings, be certain these features are not overlooked.