

ELKAY[®]

SPECIFICATIONS

elumina™ by Elkay Double Bowl Sink Models EG250 and EG25010 Series

GENERAL

Fine quality sink bowls seamlessly formed of #18 gauge, type 304 nickel bearing stainless steel. Self-rimming.

DESIGN FEATURES

Bowl Depth: 8-3/8" (EG250L/EG250R); 8-3/8" small bowl, 10-3/8" large bowl (EG25010L/EG25010R).

Coved Corners: 3" vertical and 2-1/4" horizontal radius.

Bowl and Faucet Deck Recess: 3/8" below outside edge of sink.

Finish: Exposed surfaces are polished to a non-directional soft satin finish.

Underside: Sound absorbing pads applied to dampen sound.

Aqueduct (recessed partition) allows water to flow to adjacent bowl before overflowing sink.

OTHER

Drain Opening: 3-1/2".

NOTE: Unless otherwise specified, sink is furnished with 4 faucet holes as shown.

OPTIONAL ACCESSORIES

Rinsing Baskets: LKRB1611 (small bowl), LKRB1614 (large bowl) or LKERBSS (either bowl).

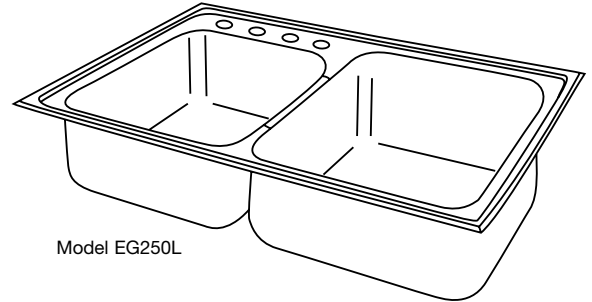
Bottom Grid: LKOBG1416 (small bowl).

Cutting Board: CB1516 (small bowl) or CBR1316 (large bowl).

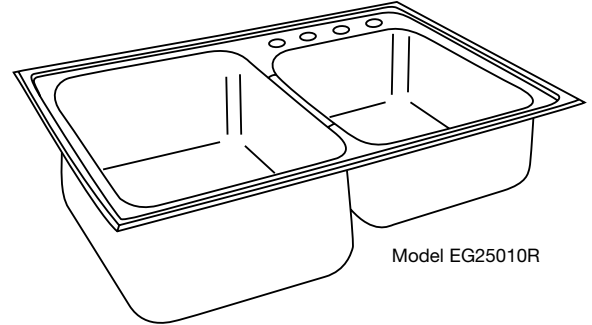
These sinks comply with ANSI Standard A112.19.3M.



These sinks are listed by the International Association of Plumbing and Mechanical Officials as meeting the requirements of the Uniform Plumbing Code.



Model EG250L



Model EG25010R

SINK DIMENSIONS (INCHES)*

Model Number	Overall		Inside Left Bowl			Inside Right Bowl			Cutout in Countertop (1 1/2" Radius Corners)		No. of 1 1/2" Dia. Faucet Holes 4" Centers	Minimum Cabinet Size	Ship. Wt. Lbs.
	L	W	L	W	D	L	W	D	L	W			
EG250L	33	22	14	15 3/4	8 3/8	13 1/2	18	8 3/8	32 3/8	21 3/8	1, 2, S2, 3 or 4	36	22
EG25010L	33	22	14	15 3/4	8 3/8	13 1/2	18	10 3/8	32 3/8	21 3/8	1, 2, S2, 3 or 4	36	24
EG250R	33	22	13 1/2	18	8 3/8	14	15 3/4	8 3/8	32 3/8	21 3/8	1, 2, S2, 3 or 4	36	22
EG25010R	33	22	13 1/2	18	10 3/8	14	15 3/4	8 3/8	32 3/8	21 3/8	1, 2, S2, 3 or 4	36	24

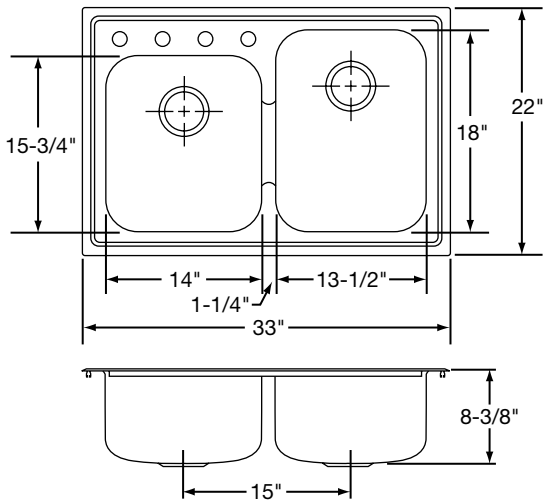
*Length is left to right. Width is front to back.

SEE OTHER SIDE FOR PRODUCT DIMENSIONS.

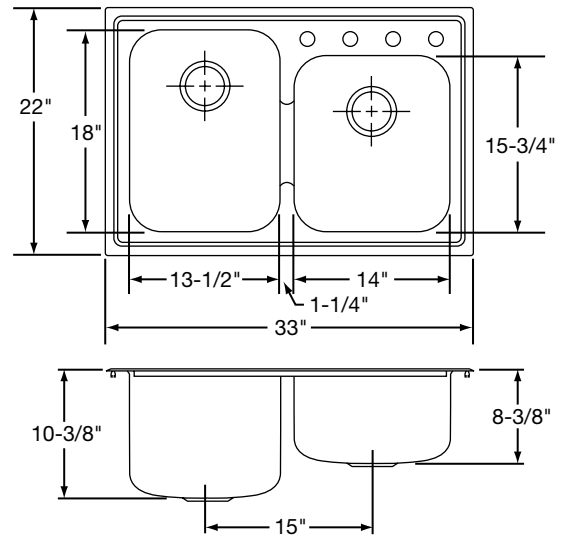
ALL DIMENSIONS IN INCHES, TO CONVERT TO MILLIMETERS MULTIPLY BY 25.4.

In keeping with our policy of continuing product improvement, Elkay reserves the right to change product specifications without notice.

This specification describes an Elkay product with design, quality and functional benefits to the user. When making a comparison of other producers' offerings, be certain these features are not overlooked.

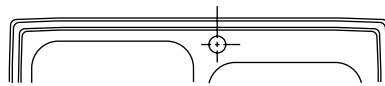


Model EG250L Illustrated

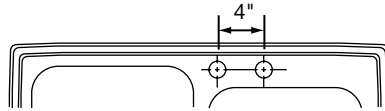


Model EG25010R Illustrated

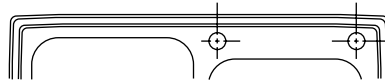
HOLE DRILLING CONFIGURATIONS



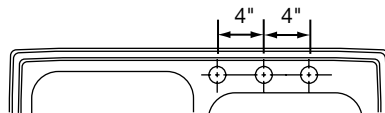
1



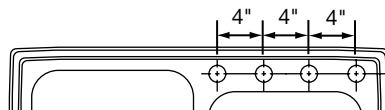
2



S2



3



4