

# ELKAY<sup>®</sup>

## SPECIFICATIONS

### Gourmet<sup>®</sup> Undermount Double Bowl Sink Models ELUH3520L and ELUH3520R

#### GENERAL

Highest quality sink formed of #18 (1.2mm) gauge, type 304 (18-8) nickel bearing stainless steel. Undermount.

#### DESIGN FEATURES

Bowl Depths: 9-7/8" (251mm) (large bowl), 7-7/8" (200mm) (small bowl).

Coved Corners: 1-3/4" (44mm) vertical and horizontal radius.

Finish: Exposed surfaces are hand blended to a Lustrous

Highlighted Satin finish.

Underside: Underside of sink is fully protected by heavy duty Sound Guard<sup>®</sup> undercoating to reduce condensation and dampen sound.

#### OTHER

Drain Opening: 3-1/2" (89mm).

Suffix L (left) or R (right) denotes location of the small bowl.

NOTE: All Elkay undermount sinks are designed to affix to the underside of any solid surface countertop.

Sink complies with ASME A112.19.3-2008 / CSA B45.4-08



These sinks are listed by the International Association of Plumbing and Mechanical Officials as meeting the requirements of the Uniform Plumbing Code.

#### OPTIONAL ACCESSORIES

Bottom Grids: LKWOBG2018SS (large bowl); LKWOBG1116SS (small bowl).

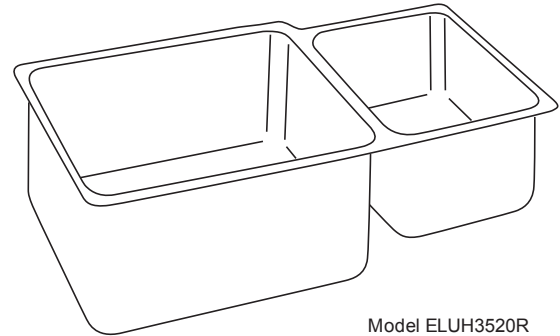
Cutting Board: CBS1418 (large bowl).

Drain: LK99.

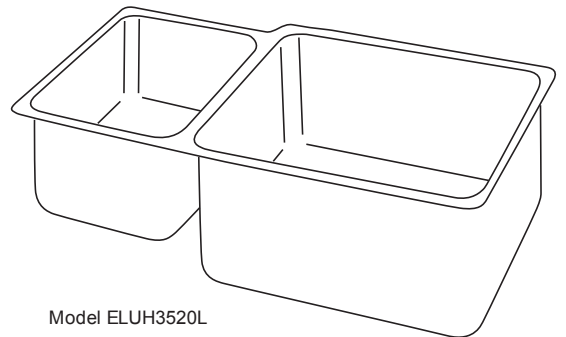
Mounting Clip: LKUCLIP8 (2 packages required).

Rinsing Baskets: LKWRB2018SS, LKWERBSS (large bowl); LKWRB1116SS (small bowl).

Utensil Caddy for Rinsing Basket: LKWUCSS.



Model ELUH3520R



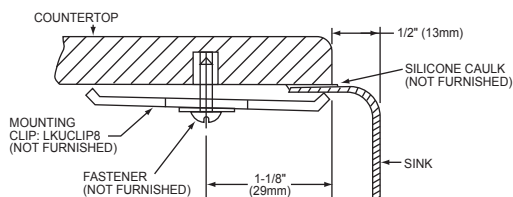
Model ELUH3520L

#### SINK PACKAGE(S)

MODEL	SINK	BOTTOM GRID	QTY	DRAIN	QTY
ELUH3520LDBG	ELUH3520L	LKWOBG2018SS	1	LK99	1
ELUH3520RDBG	ELUH3520R	LKWOBG2018SS	1	LK99	1

#### Installation Profile

The template provided with each sink provides the only type of installation recommended by Elkay.



SEE OTHER SIDE FOR PRODUCT DIMENSIONS.



In keeping with our policy of continuing product improvement, Elkay reserves the right to change product specifications without notice. Please visit [elkayusa.com](http://elkayusa.com) for most current version of Elkay product specification sheets.

This specification describes an Elkay product with design, quality, and functional benefits to the user. When making a comparison of others producers offerings, be certain these features are not overlooked.

**Gourmet® Undermount Double Bowl Sink  
Models ELUH3520L and ELUH3520R**

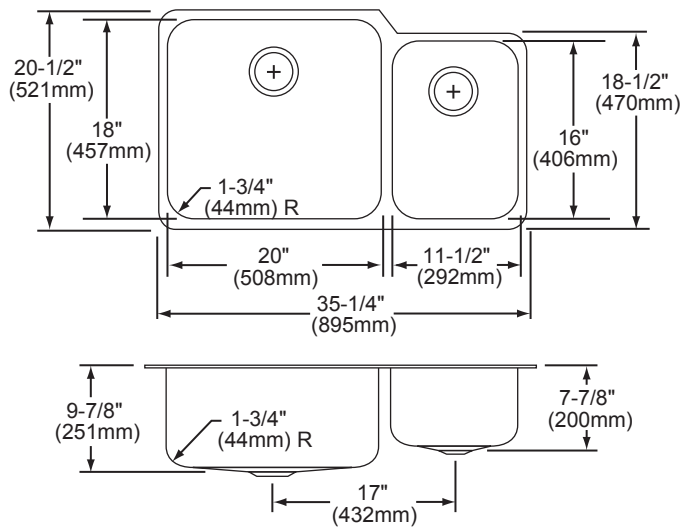
**ELKAY®  
SPECIFICATIONS**

**SINK DIMENSIONS\***

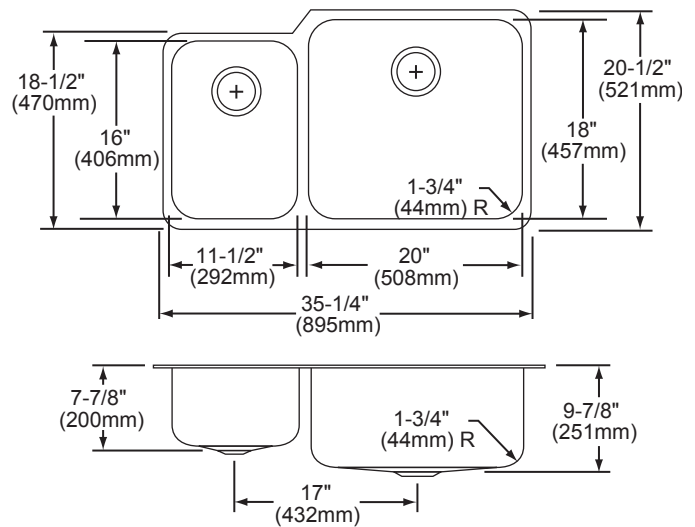
Model Number	Overall		Inside Left Bowl			Inside Right Bowl			Cutout in Countertop	Minimum Cabinet Size
	L	W	L	W	D	L	W	D		
ELUH3520L	35 <sup>1</sup> / <sub>4</sub> (895mm)	20 <sup>1</sup> / <sub>2</sub> (521mm)	11 <sup>1</sup> / <sub>2</sub> (292mm)	16 (406mm)	7 <sup>7</sup> / <sub>8</sub> (200mm)	20 (508mm)	18 (457mm)	9 <sup>7</sup> / <sub>8</sub> (251mm)	See Template**	39 (991mm)
ELUH3520R	35 <sup>1</sup> / <sub>4</sub> (895mm)	20 <sup>1</sup> / <sub>2</sub> (521mm)	20 (508mm)	18 (457mm)	9 <sup>7</sup> / <sub>8</sub> (200mm)	11 <sup>1</sup> / <sub>2</sub> (292mm)	16 (406mm)	7 <sup>7</sup> / <sub>8</sub> (200mm)		39 (991mm)

\*Length is left to right. Width is front to back.

\*\*Template is packed with every sink.



Model ELUH3520R Illustrated



Model ELUH3520L Illustrated