

ELKAY® SPECIFICATIONS

Gourmet® Undermount Single Bowl Sink Models ELU1616 and ELUH1616

GENERAL

Highest quality sink formed of #18 (1.2mm) gauge, type 304 (18-8) nickel bearing stainless steel. Undermount.

DESIGN FEATURES

Bowl Depth: 7-7/8" (200mm).

Finish: Exposed surfaces are hand blended to a lustrous highlighted satin finish.

Underside: Underside of sink is fully protected by heavy duty Sound Guard™ undercoating to reduce condensation and dampen sound.

Sinks comply with ASME A112.19.3-08/CSA B45.4-08.



These sinks are listed by the International Association of Plumbing and Mechanical Officials as meeting the requirements of the Uniform Plumbing Code.

OTHER

Drain Opening: 3-1/2" (89mm).

NOTE: All Elkay undermount sinks are designed to affix to the underside of any solid surface countertop.

Installation: See illustrated profile below.

OPTIONAL ACCESSORIES

Bottom Grid: LKWOBG1616SS.

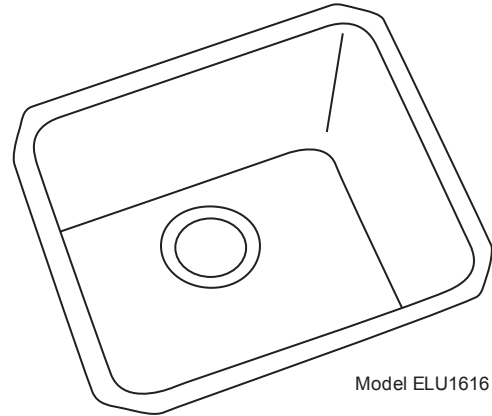
Cutting Board: (ELUH1616) CBS1316, CB1713

Drain: LK99.

Mounting Clip: LKUCLIP8

Rinsing Basket: LKWRB1316SS, LKWERBSS

Utensil Caddy for Rinsing Basket: LKWUCSS



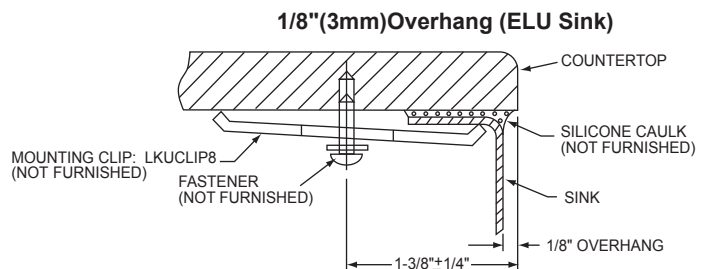
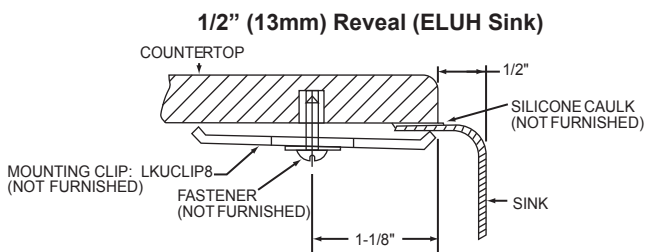
Model ELU1616

SINK PACKAGE(S)

MODEL	SINK	BOTTOM GRID	QTY	DRAIN	QTY
ELU1616DBG	ELU1616	LKWOBG1616SS	1	LK99	1
ELUH1616DBG	ELUH1616	LKWOBG1616SS	1	LK99	1

Installation Profile of ELU and ELUH Single Bowl Models

The template provided with each sink provides the only type of installation recommended by Elkay.



SEE OTHER SIDE FOR PRODUCT DIMENSIONS.



In keeping with our policy of continuing product improvement, Elkay reserves the right to change product specifications without notice. Please visit elkayusa.com for most current version of Elkay product specification sheets.

This specification describes an Elkay product with design, quality and functional benefits to the user. When making a comparison of other producers' offerings, be certain these features are not overlooked.

Elkay

elkay.com

2222 Camden Court
Oak Brook, IL 60523

Printed in U.S.A.
©2010 Elkay

(Rev. 01/10) 1-180E

**Gourmet® Undermount Single Bowl Sink
Models ELU1616 and ELUH1616**

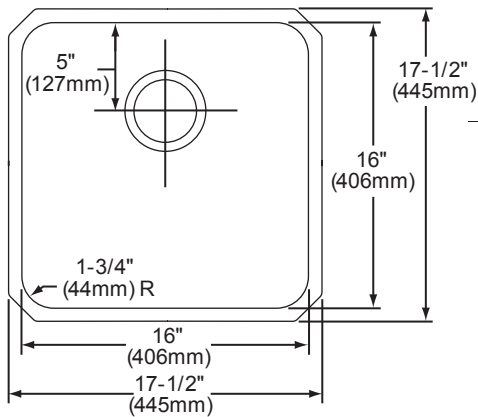
**ELKAY®
SPECIFICATIONS**

SINK DIMENSIONS*

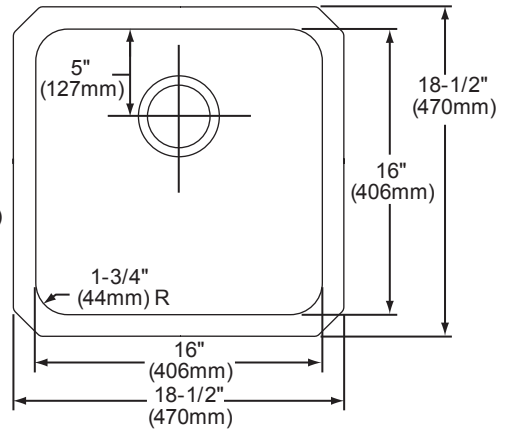
Model Number	Overall		Inside Bowl			Cutout in Countertop	Minimum Cabinet Size
	L	W	L	W	D		
ELU1616	17½ (445mm)	17½ (445mm)	16 (406mm)	16 (406mm)	7⅞ (200mm)	See Template**	21 (533mm)
ELUH1616	18½ (470mm)	18½ (470mm)	16 (406mm)	16 (406mm)	7⅞ (200mm)		21 (533mm)

*Length is left to right. Width is front to back.

**Template is packed with every sink.



Model ELU1616 Illustrated



Model ELUH1616 Illustrated