

ELKAY[®]

SPECIFICATIONS

Elkay Specialty Collection™ Universal Mount Sinks Model SCF16 Series

GENERAL

High quality single bowl sink is formed of #18 gauge copper or type 304 (18-8) nickel bearing stainless steel material. Specialty Collection copper sinks are made from genuine solid, uncoated material and will naturally tarnish. Universal mount sinks can be installed in both drop-in and undermount application. Both types of clips are included.

SCF16CH copper with hammered mirror finish

SCF16CM copper with mirror finish

SCF16CS copper with satin finish

SCF16SH stainless steel with hammered mirror finish

SCF16SM stainless steel with mirror finish

SCF16SR stainless steel with a rugged satin finish

DESIGN FEATURES

Bowl Depth: 7".

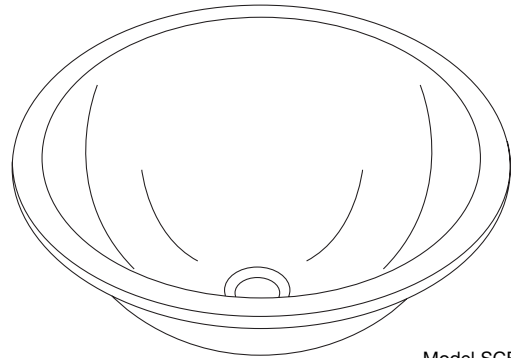
Underside: Sound deadening pads on bottom.

Fastening Method: For drop-in application, utilize clips and attach to threaded stud (see illustration "A" below). For undermount application, utilize undermount clips (see illustration "B" below) – fasteners are not supplied.

OTHER

Drain Opening: 1-1/2".

Sink includes overflow assembly with matching face plate.



Model SCF16

ILLUSTRATION A

Installation Profile for Drop-in Application

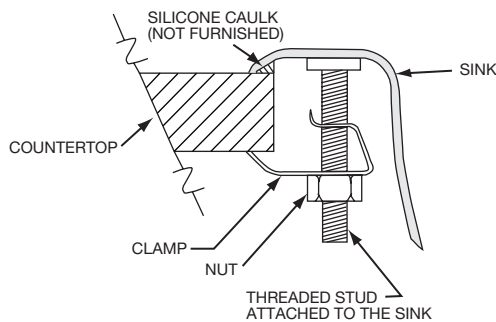
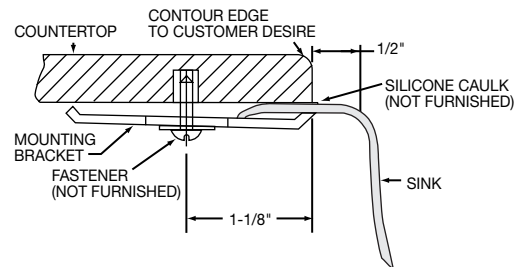


ILLUSTRATION B

Installation Profile for Undermount Application

The template provided with each sink provides the only type of undermount installation recommended by Elkay.



SEE OTHER SIDE FOR PRODUCT DIMENSIONS.

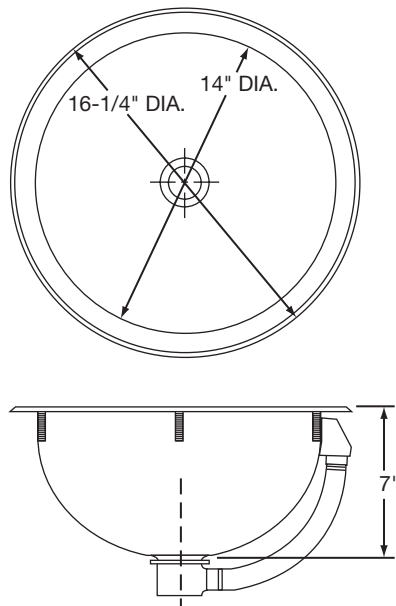
ALL DIMENSIONS IN INCHES, TO CONVERT TO MILLIMETERS MULTIPLY BY 25.4.

In keeping with our policy of continuing product improvement, Elkay reserves the right to change product specifications without notice.

This specification describes an Elkay product with design, quality and functional benefits to the user. When making a comparison of other producers' offerings, be certain these features are not overlooked.

SINK DIMENSIONS (INCHES)

Model Number	O.D.	I.D.	D	Cutout in Countertop	Minimum Cabinet Size
SCF16CH	16¼	14	7	See Template for undermount application. For drop-in application use sink upside down as template and cut 5/16" INSIDE sink outline.	21
SCF16CM	16¼	14	7		21
SCF16CS	16¼	14	7		21
SCF16SH	16¼	14	7		21
SCF16SM	16¼	14	7		21
SCF16SR	16¼	14	7		21



Model SCF16