

# ELKAY<sup>®</sup>

## SPECIFICATIONS

### Gourmet<sup>®</sup> Undermount Single Bowl Sink with Apron Model ELUHFS2816

#### GENERAL

Highest quality sink, with integral apron, formed of #18(1.2mm) gauge, type 304 (18-8) nickel bearing stainless steel. Undermount.

#### DESIGN FEATURES

Bowl Depth: 7-7/8" (200mm).

Apron Height: 8" (203mm).

Coved Corners: 1-3/4"(44mm).

Finish: Exposed surfaces are hand blended to a lustrous high-lighted satin finish.

Underside: Underside of sink is fully protected by heavy duty Sound Guard™ undercoating to reduce condensation and dampen sound.

#### OTHER

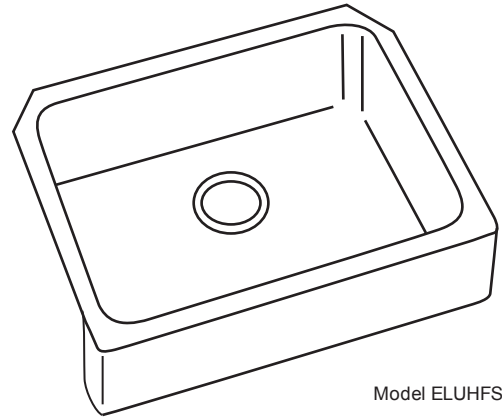
Drain Opening: 3-1/2" (89mm).

NOTE: All Elkay undermount sinks are designed to affix to the underside of any solid surface countertop.

Installation: See illustrated profile below.



These sinks are listed by the International Association of Plumbing and Mechanical Officials as meeting the requirements of the Uniform Plumbing Code.



Model ELUHFS2816

#### OPTIONAL ACCESSORIES

Bottom Grid: LKWOBG2816SS

Cutting Board: CB1713, CBS1316

Drain: LK99

Mounting Clip: LKUCLIP8

Rinsing Basket: LKWRB2816SS, LKWERBSS

Utensil Caddy for Rinsing Basket: LKWUCSS

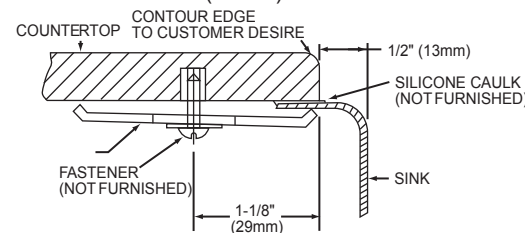
#### SINK PACKAGE(S)

MODEL	SINK	BOTTOM GRID	QTY	DRAIN	QTY
ELUHFS2816DBG	ELUHFS2816	LKWOBG2816SS	1	LK99	1



#### Installation Profile of ELUHFS Single Bowl Model

Elkay recommends ELUHFS sinks are installed with a 1/2" (13mm) reveal as shown.



SEE NEXT PAGE FOR PRODUCT DIMENSIONS.

In keeping with our policy of continuing product improvement, Elkay reserves the right to change product specifications without notice. Please visit [elkayusa.com](http://elkayusa.com) for most current version of Elkay product specification sheets.

This specification describes an Elkay product with design, quality and functional benefits to the user. When making a comparison of other producers' offerings, be certain these features are not overlooked.

**Elkay**

[elkayusa.com](http://elkayusa.com)

2222 Camden Court  
Oak Brook, IL 60523

Printed in U.S.A.  
©2010 Elkay

(Rev. 01/10) 1-161D

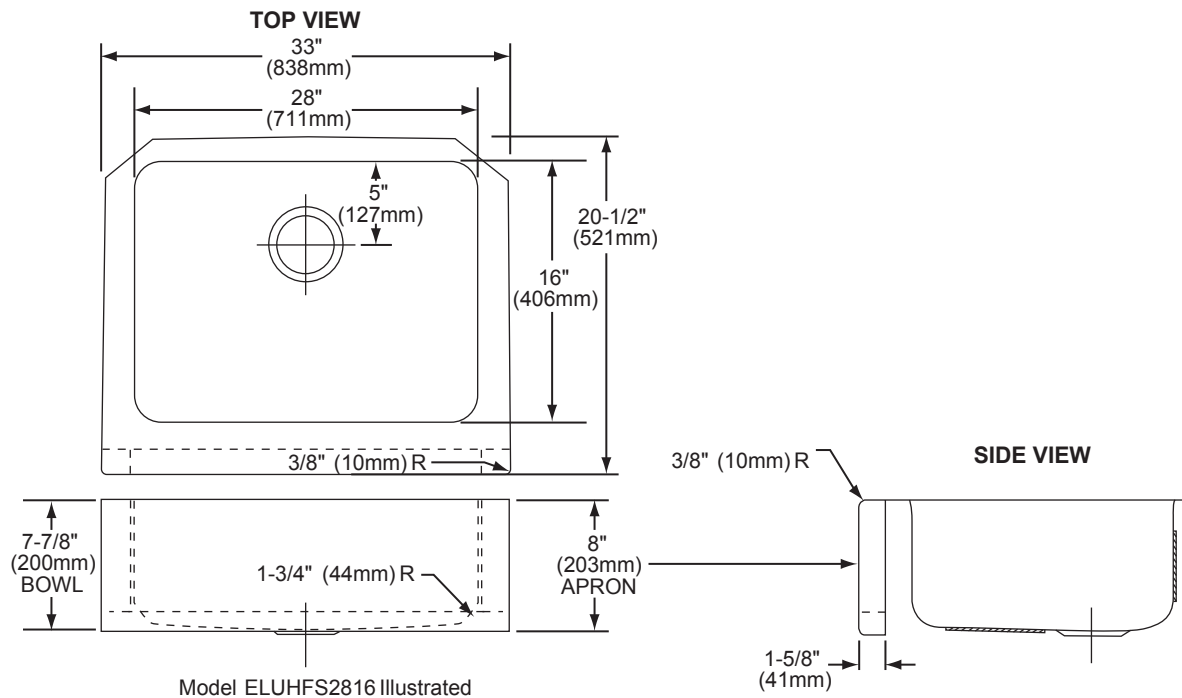
# ELKAY® SPECIFICATIONS

## Gourmet® Undermount Single Bowl Sink with Apron Model ELUHFS2816

### SINK DIMENSIONS\*

Model Number	Overall		Inside Bowl			Minimum Cabinet Size
	L	W	L	W	D	
ELUHFS2816	33 (838mm)	20 <sup>1</sup> / <sub>2</sub> (521mm)	28 (711mm)	16 (406mm)	7 <sup>7</sup> / <sub>8</sub> (200mm)	36 (914mm)

\*Length is left to right. Width is front to back.



In keeping with our policy of continuing product improvement, Elkay reserves the right to change product specifications without notice. Please visit [elkayusa.com](http://elkayusa.com) for most current version of Elkay product specification sheets.

This specification describes an Elkay product with design, quality and functional benefits to the user. When making a comparison of other producers' offerings, be certain these features are not overlooked.