

# ELKAY® SPECIFICATIONS

## Lustertone® Single Bowl Sink Models LRAD and LRADQ Series – A.D.A. Compliant

### GENERAL

Highest quality sink seamlessly formed of #18 gauge, type 304 (18-8) nickel bearing stainless steel. Self-rimming.

### DESIGN FEATURES

LRAD(Q) Bowl Depth: 4", 4-1/2", 5", 5-1/2", 6" or 6-1/2".

Coved Corners: 1-3/4" vertical and horizontal radius.

Bowl and Faucet Deck Recess: 3/16" below outside edge of sink.

Finish: Exposed surfaces are hand blended to a lustrous high-lighted satin finish.

Underside: Fully undercoated to dampen sound and prevent condensation.

### OTHER

Drain Opening: 3-1/2" (see back for locations).

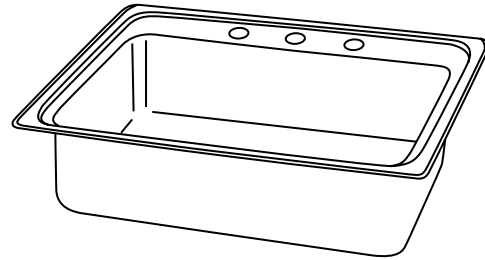
Sink complies with ASME A112.19.3/ CSA B45.4



Sinks are listed by IAPMO® as meeting the applicable requirements of the Uniform Plumbing Code®, International Plumbing Code®, and National Plumbing Code of Canada.



These sinks are compliant to ADA and ANSI/ICC A117.1 accessibility requirements when installed according to the requirements outlined in these standards.



Model LRAD(Q)2521653

### SINK DIMENSIONS (INCHES)\*

U-Channel Model Number	Quick-Clip® Model Number	Overall		Inside Bowl			Cutout in Countertop (1 1/2" Radius Corners)		No. of 1 1/2" Dia. Faucet Holes 4" Center	3 1/2" Drain Opening (see back for details)	Minimum Cabinet Size	Ship. Wt. Lbs.
		L	W	L	W	D	L	W				
		A	B	C	D	E	L	W				
LRAD1316	LRADQ1316	13	16	10	10	**	12 3/8	15 3/8	1, 2, MR2 or 3	Centered	18	9 1/2
LRAD1517	LRADQ1517	15	17 1/2	12	12	**	14 3/8	16 7/8	1, 2, MR2 or 3	Centered	18	9 3/4
LRAD1522	LRADQ1522	15	22	11 1/2	16	**	14 3/8	21 3/8	1, 2, MR2 or 3	Off-Centered Rear	18	12
LRAD1716	LRADQ1716	17	16	14	10	**	16 3/8	15 3/8	1, 2, MR2, 3 or OS4	Centered	21	8 1/2
LRAD1720	LRADQ1720	17	20	14	14	**	16 3/8	19 3/8	1, 2, MR2, 3 or OS4	Off-Centered Rear	21	12
LRAD1722	LRADQ1722	17	22	13 1/2	16	**	16 3/8	21 3/8	1, 2, MR2, 3 or OS4	Off-Centered Rear	21	13
LRAD1918	LRADQ1918	19	18	16	11 1/2	**	18 3/8	17 3/8	1, 2, MR2, 3 or OS4	Off-Centered Rear	24	10 1/2
LRAD1918L	LRADQ1918L	19	18	16	11 1/2	**	18 3/8	17 3/8	1, 2, MR2, 3 or OS4	Off-Centered Left	24	10 1/2
LRAD1918R	LRADQ1918R	19	18	16	11 1/2	**	18 3/8	17 3/8	1, 2, MR2, 3 or OS4	Off-Centered Right	24	10 1/2
LRAD1919	LRADQ1919	19 1/2	19	16	13 1/2	**	18 7/8	18 3/8	1, 2, MR2, 3 or OS4	Off-Centered Rear	24	13
LRAD2022	LRADQ2022	19 1/2	22	16	16	**	18 7/8	21 3/8	1, 2, MR2, 3 or OS4	Off-Centered Rear	24	14 1/2
LRAD2219	LRADQ2219	22	19 1/2	18	14	**	21 3/8	18 7/8	1, 2, MR2, 3, 4 or 5	Off-Centered Rear	27	13
LRAD2219L	LRADQ2219L	22	19 1/2	18	14	**	21 3/8	18 7/8	1, 2, MR2, 3, 4 or 5	Off-Centered Left	27	13
LRAD2219R	LRADQ2219R	22	19 1/2	18	14	**	21 3/8	18 7/8	1, 2, MR2, 3, 4 or 5	Off-Centered Right	27	13
LRAD2222	LRADQ2222	22	22	19	16	**	21 3/8	21 3/8	1, 2, MR2, 3, 4 or 5	Off-Centered Rear	27	14
LRAD2521	LRADQ2521	25	21 1/4	21	15 3/4	**	24 3/8	20 5/8	1, 2, MR2, 3, 4 or 5	Off-Centered Rear	30	15
LRAD2521L	LRADQ2521L	25	21 1/4	21	15 3/4	**	24 3/8	20 5/8	1, 2, MR2, 3, 4 or 5	Off-Centered Left	30	15
LRAD2521R	LRADQ2521R	25	21 1/4	21	15 3/4	**	24 3/8	20 5/8	1, 2, MR2, 3, 4 or 5	Off-Centered Right	30	15
LRAD3122	LRADQ3122	31	22	28	16	**	30 3/8	21 3/8	1, 2, MR2, 3, 4 or 5	Off-Centered Rear	36	19

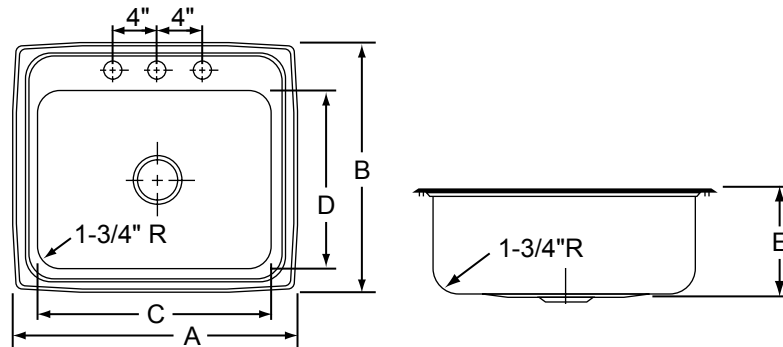
\*Length is left to right. Width is front to back.

\*\*Available in 4", 4 1/2", 5", 5 1/2", 6" and 6 1/2" depths. Please consult your sales representative for other depths or modifications.

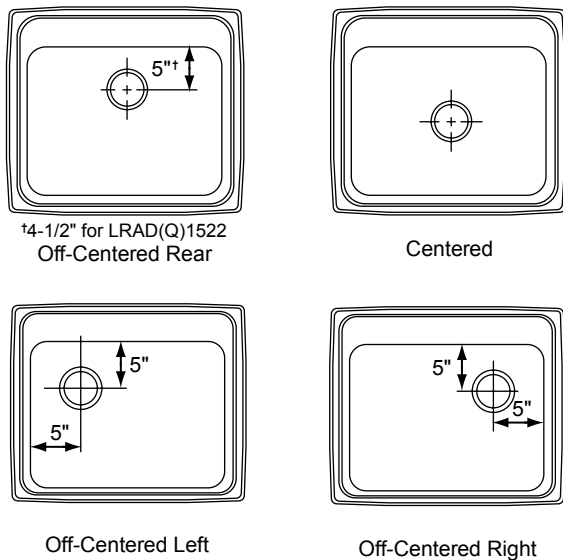
ALL DIMENSIONS IN INCHES, TO CONVERT TO MILLIMETERS MULTIPLY BY 25.4.

In keeping with our policy of continuing product improvement, Elkay reserves the right to change product specifications without notice. Please visit [elkayusa.com](http://elkayusa.com) for most current version of Elkay product specification sheets.

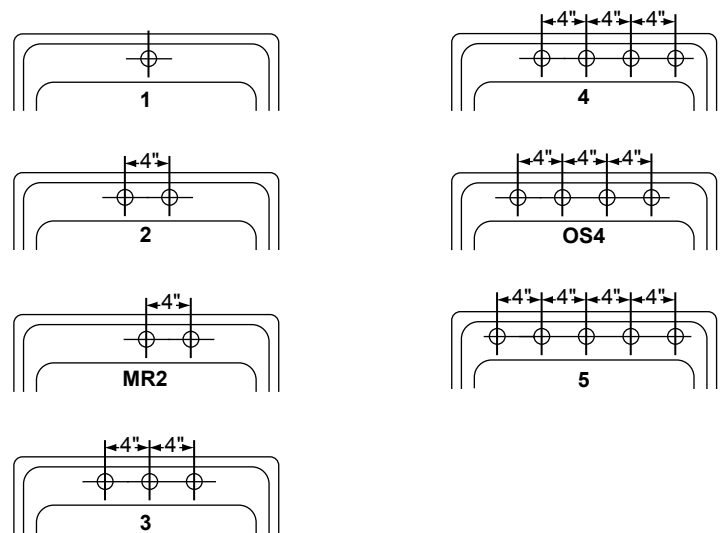
This specification describes an Elkay product with design, quality, and functional benefits to the user. When making a comparison of others producers offerings, be certain these features are not overlooked.



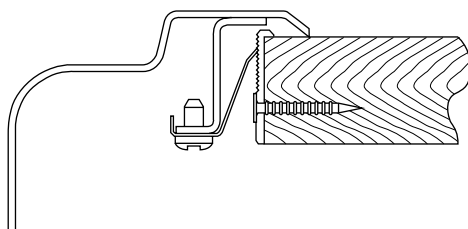
**DRAIN OPENING LOCATIONS**



**HOLE DRILLING CONFIGURATIONS**



**Quick-Clip® Mounting System**



**U-Channel Type Mounting System**

